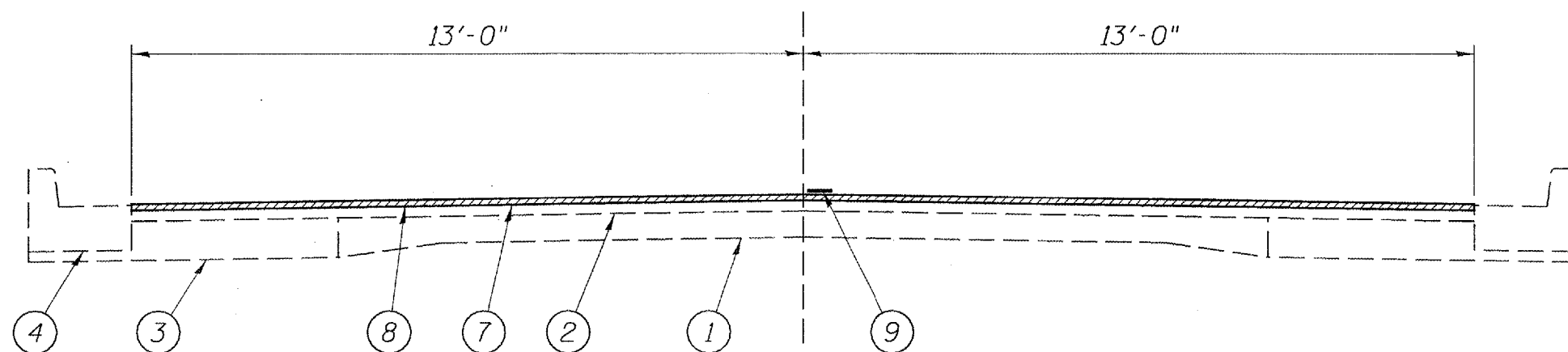


STA. 871+95 TO 873+75



STA. 879+00 TO 879+41

Rev.

TYPICAL SECTIONS  
FAP 325 (IL 16)  
SECTION (114S,116)RS-5  
MACOUPIN COUNTY