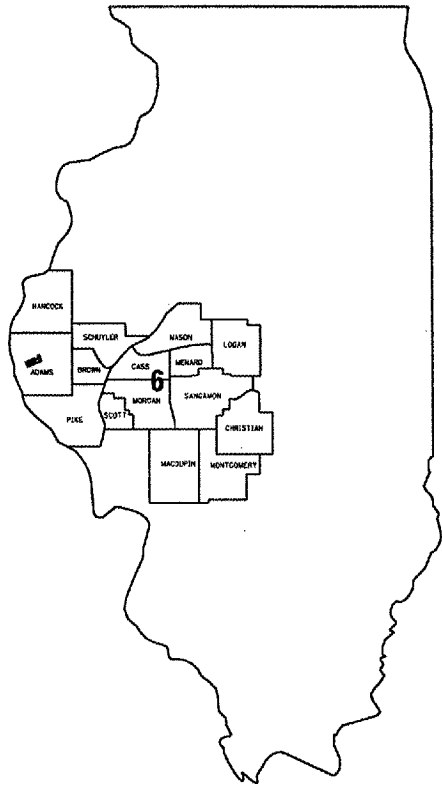


FOR INDEX OF SHEETS AND HIGHWAY
STANDARDS, SEE SHEET 2.

STATE OF ILLINOIS
DEPARTMENT OF TRANSPORTATION
DIVISION OF HIGHWAYS

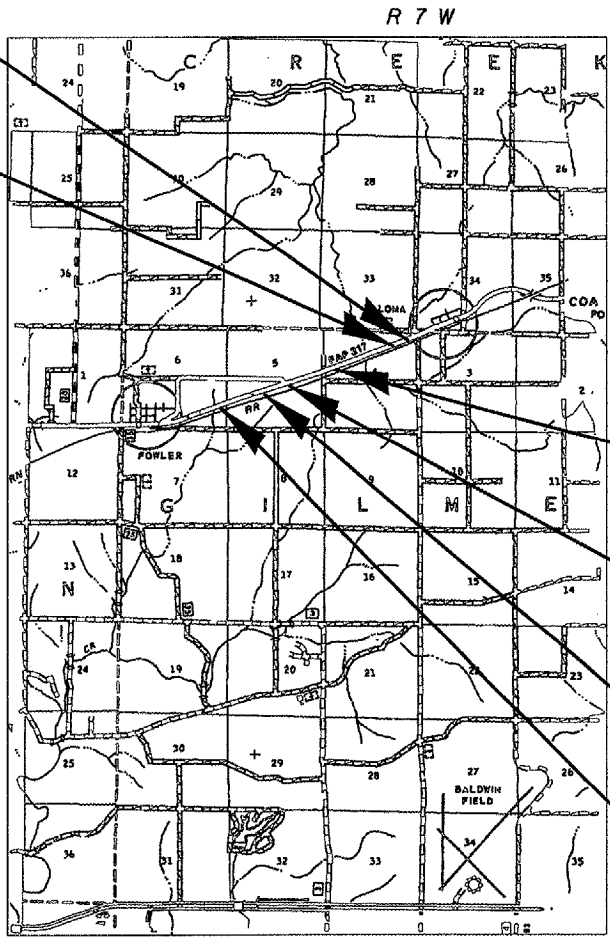
**PLANS FOR PROPOSED
CONTRACT MAINTENANCE
FAP ROUTE 317 (US 24)
SECTION (1,2,3&4)RS-8
ADAMS COUNTY
C96-008-08 / D96-019-07**



LOCATION OF SECTION INDICATED THUS: ■

BEGIN STA.
1863+46.80 eng.
24+499.480 m.

STATION EQ.
1872+35.5bk
=1872+51.5ah



BEGIN OMISSION
STA. 1905+86.80 eng.
23+212.000 m.

END OMISSION
STA. 1957+13.40 eng.
21+649.000 m.

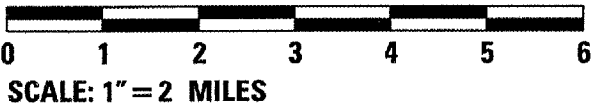
STATION EQ.
1966+64.9bk
=1968+07.7ah

END STA.
1995+52.2 eng.
20+523.000 m.

J. U. L. I. E.
JOINT UTILITY LOCATION INFORMATION FOR EXCAVATION
1-800-892-0123

PLANS & CONTRACT TECHNICIAN: TIMOTHY SHARP
PHONE: (217) 782-7743

NET LTH OF SEC 13,046.60 FT = 2.471 MILES



CONTRACT NO. 72B20

STATE OF ILLINOIS
DEPARTMENT OF TRANSPORTATION
DIVISION OF HIGHWAYS

SUBMITTED MARCH 29, 2007

Christ H. Reed
DEPUTY DIRECTOR OF HIGHWAYS, REGION FOUR ENGINEER

May 11, 2007

Eric E. Harp
Interim ENGINEER OF DESIGN AND ENVIRONMENT

May 11, 2007

Milton R. Sees P.E.
DIRECTOR, DIVISION OF HIGHWAYS

INDEX

- 1 COVER
- 2 INDEX/STANDARDS/SIGNATURES
- 3-4 QUANTITIES
- 5 TYPICAL SECTION
- 6 SCHEDULES
- 7 BUTT JOINT DETAILS

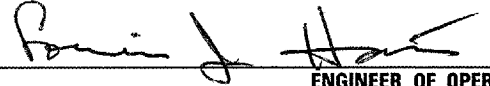

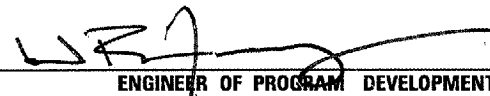
STANDARDS

- 442201-02
- 701001-01
- 701006-02
- 701011-01
- 701201-02
- 701306-01
- 701311-02
- 702001-06
- 780001-01

NOTES:

SIZE AND LOCATION OF PATCHES TO BE DETERMINED IN THE FIELD BY THE RESIDENT ENGINEER.

NO PASSING ZONES TO BE FIELD VERIFIED BY THE BUREAU OF OPERATIONS. THE RESIDENT ENGINEER SHALL NOTIFY THE BUREAU OF OPERATIONS 14 DAYS PRIOR TO PERMANENT PAVEMENT MARKING.

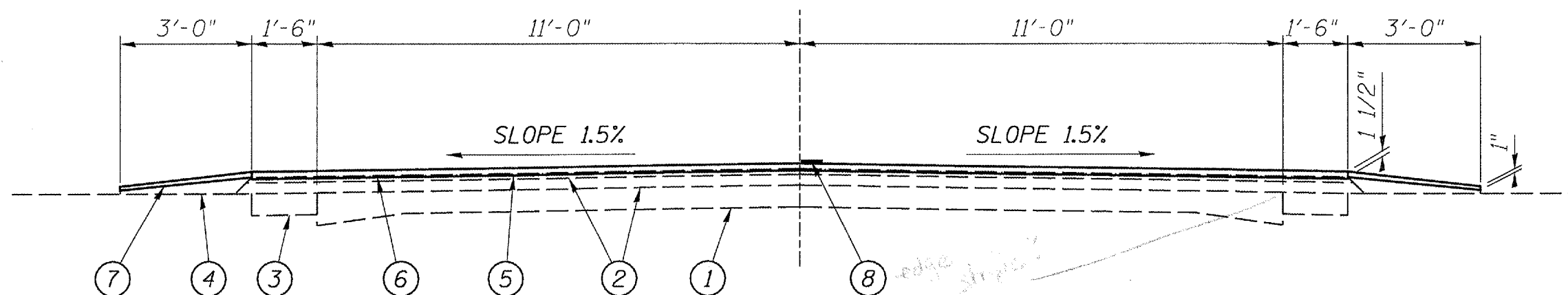
STATE OF ILLINOIS DEPARTMENT OF TRANSPORTATION DIVISION OF HIGHWAYS DISTRICT 6	
EXAMINED <u>March 28</u> 20 <u>07</u>	<u></u> ENGINEER OF OPERATIONS
EXAMINED <u>Mar 26</u> 20 <u>07</u>	<u></u> ENGINEER OF PROGRAM IMPLEMENTATION
EXAMINED <u>Mar 28</u> 20 <u>07</u>	<u></u> ENGINEER OF PROGRAM DEVELOPMENT

INDEX/STANDARDS/SIGNATURES
FAP 317 (US 24)
SECTION (1,2,3&4)RS-8
ADAMS COUNTY

S U M M A R Y O F Q U A N T I T I E S

CODE NO.	ITEM	UNIT	100% STATE
			TOTAL QTY
40600200	BITUMINOUS MATERIALS (PRIME COAT)	TON	8.4
40600300	AGGREGATE (PRIME COAT)	TON	44
40600982	HOT-MIX ASPHALT SURFACE REMOVAL - BUTT JOINT	SQ YD	334
40600990	TEMPORARY RAMP	SQ YD	78
40603310	HOT-MIX ASPHALT SURFACE COURSE, MIX C, N50	TON	2,464
44000198	HOT-MIX ASPHALT SURFACE REMOVAL (VARIABLE DEPTH)	SQ YD	21,666
44201373	CLASS C PATCHES, TYPE I, 12 INCH	SQ YD	145
44201377	CLASS C PATCHES, TYPE II, 12 INCH	SQ YD	210
44201381	CLASS C PATCHES, TYPE III, 12 INCH	SQ YD	75
44201383	CLASS C PATCHES, TYPE IV, 12 INCH	SQ YD	200
48101200	AGGREGATE SHOULDERS, TYPE B	TON	376
67100100	MOBILIZATION	L SUM	1
70100450	TRAFFIC CONTROL AND PROTECTION, STANDARD 701201	L SUM	1

QUANTITIES
FAP 317 (US 24)
SECTION (1,2,3&4)RS-8
ADAMS COUNTY



STA. 1863+47.80 TO 1905+87.80
STA. 1957+13.40 TO 1995+52.20

*What are you doing
side road?
enhance?
maintain but not?*

LEGEND

- 1 - EXIST. P.C.C. PAVMENT
- 2 - EXIST. HOT-MIX ASPHALT SURFACE
- 3 - EXIST. HOT-MIX ASPHALT SHOULDERS
- 4 - EXIST. AGGREGATE SHOULDERS
- 5 - PROP. HOT-MIX ASPHALT SURFACE REMOVAL (VARIABLE DEPTH) 1/2" @ \varnothing
- 6 - PROP. HOT-MIX ASPHALT SURFACE COURSE, MIX C, N50 2"
- 7 - PROP. AGGREGATE SHOULDERS, TYPE B
- 8 - PROP. PAINT PAVEMENT MARKING - LINE 5"

TYPICALS
FAP 317 (US 24)
SECTION (1,2,3&4)RS-8
ADAMS COUNTY

PAVEMENT MARKING SCHEDULE			
STATION	TYPE	PAINT PVT MK LINE 5"	
		WHITE	YELLOW
LT & RT 1863+46.8 TO 1905+86.8	EDGE LINE	8,448 FT	
RT 1863+46.8 TO 1868+86.8	NO PASS		540 FT
LT 1863+46.8 TO 1868+86.8	SKIP DASH		130 FT
1868+86.6 TO 1875+92.8	SKIP DASH		170 FT
LT 1875+92.8 TO 1882+92.8	NO PASS		700 FT
RT 1875+92.8 TO 1882+92.8	SKIP DASH		180 FT
1882+92.8 TO 1905+86.8	SKIP DASH		570 FT
LT & RT 1957+13.4 TO 1995+52.2	EDGE LINE	7,392 FT	
1957+13.4 TO 1973+62.2	SKIP DASH		380 FT
RT 1973+62.2 TO 1983+82.2	NO PASS		1,020 FT
LT 1973+62.2 TO 1983+82.2	SKIP DASH		260 FT
LT & RT 1983+82.2 TO 1995+52.2	NO PASS		2,340 FT
TOTALS		15,840 FT	6,290 FT

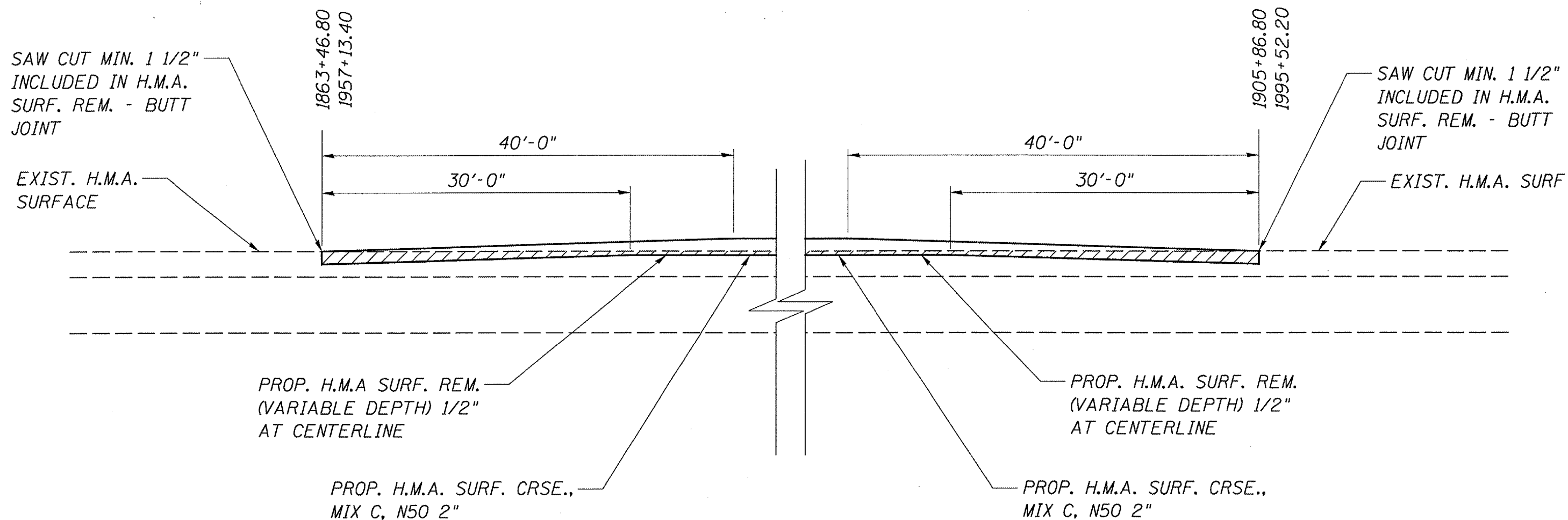
STA. EQ. - 1872+35.5bk=1872+51.5ah
STA. EQ. - 1966+64.9bk=1968+07.7ah

NOTES:

STATIONS ARE APPROXIMATE.

MIXTURE REQUIREMENTS	
THE FOLLOWING MIXTURE REQUIREMENTS ARE APPLICABLE FOR THIS PROJECT	
MIXTURE USE(S):	H.M.A S.C., MIX C, N50
AC/PG	PG 64-22
DESIGN AIR VOIDS:	4.0% @ N DESIGN = 50
MIXTURE COMP:	IL 9.5 OR 12.5
FRICTION AGG:	MIX "C"

SCHEDULES
FAP 317 (US 24)
SECTION (1,2,3&4)RS-8
ADAMS COUNTY



BUTT JOINT
FAP 317 (US 24)
SECTION (1,2,3&4)RS-8
ADAMS COUNTY