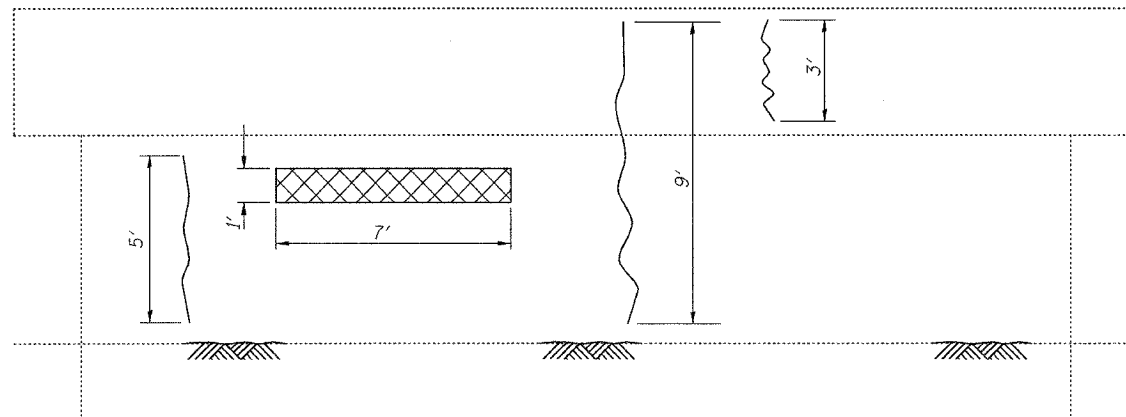
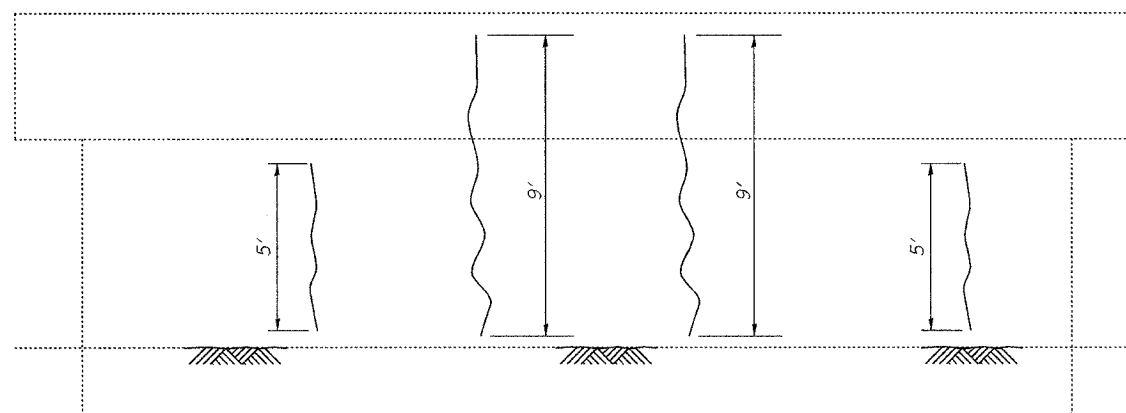


ROUTE NO.	SECTION	COUNTY	TOTAL SHEETS	SHEET NO.	SHEET NO. 10 11 SHEETS
FAP 332	101B-1	WABASH	68	61	
FED. ROAD DIST. NO. 7		ILLINOIS	FED. AID PROJECT		

Contract # 74003



NORTH ABUTMENT
(Looking North)



SOUTH ABUTMENT
(Looking South)

- Structural Repair of Concrete (Depth Greater Than 5')
- Epoxy Crack Injection

BILL OF MATERIAL

Item	Unit	Quantity
Structural Repair of Concrete (Depth Greater Than 5')	Sq. Ft.	7
Epoxy Crack Injection	Foot	45

PLOT DATE = 03/15/07
 FILE NAME = I:\093-0005-ep1-10-abutment-repair-detail.dgn
 PLOT SCALE = 28.0000 1" / 10'
 USER NAME = TFG

ILLINOIS DEPARTMENT OF TRANSPORTATION	
SHEET TITLE ABUTMENT REPAIR DETAILS	
PROJECT FAP 332 OVER BONPAS CREEK FAP ROUTE 332 (IL 1) SECTION 101B-1 WABASH COUNTY STATION 149+30 SN 093-0005	PROJECT NO. 06026 SCALE DATE 03/15/07 DRAWN BY TFC CHECKED BY GB/CME/MCB DRAWING NO.
COOMBE-BLOXDORF P.C. Engineers / Land Surveyors Springfield, Illinois Design Firm License No. 184-002703	
10 OF 11 SHTS	