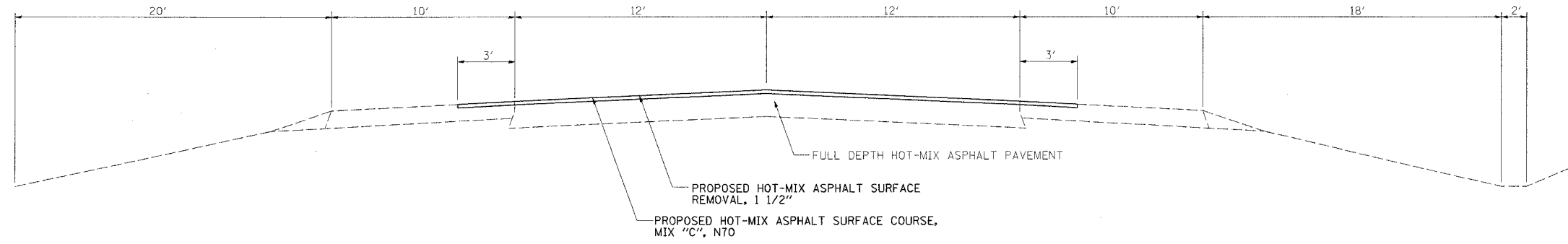
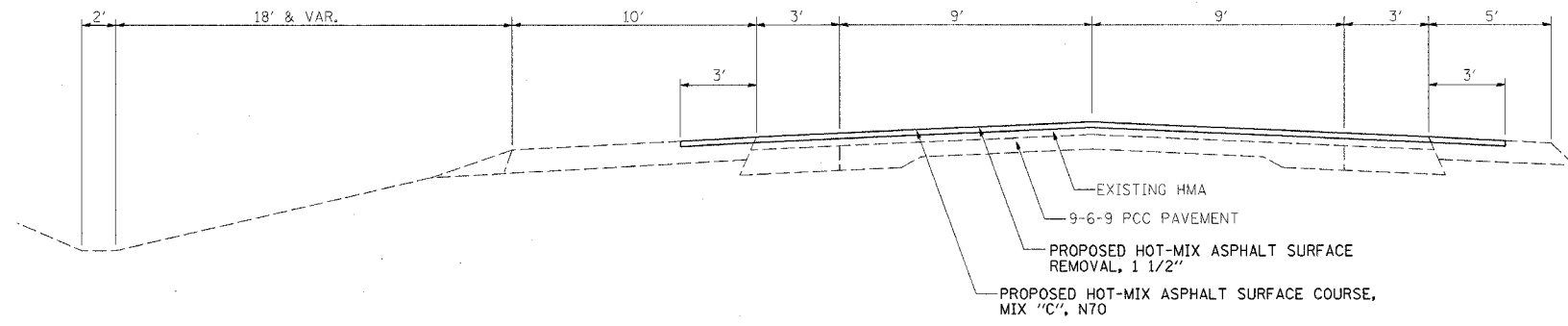


F.A.P. RTE.	SECTION	COUNTY	TOTAL SHEETS	SHEET NO.
328	12,3,41RS-2	EFF./CLAY	17	5
STA.	TO STA.			
FED. ROAD DIST. NO.	ILLINOIS	FED. AID PROJECT		



STA 623+00.00 TO STA 634+52  
 STA 636+39.00 TO STA 639+01  
 STA 640+77 TO STA 649+50



STA 620+00 TO STA 623+00

PLOT DATE = 3/28/2007  
 PLOT SCALE = 1/8" = 1'-0"  
 USER NAME =

REVISIONS	
NAME	DATE

ILLINOIS DEPARTMENT OF TRANSPORTATION

**TYPICAL SECTIONS**

SCALE: VERT. HORIZ.  
 DATE

DRAWN BY  
 CHECKED BY