



CONTRACT NO. 74239			
FAP RTE	SECTION	COUNTY	TOTAL SHEET NO.
716	(130BR-1)BR	MACON	22 6
STA.	TO STA.		
FED. ROAD DIST. NO.	ILLINOIS	FED. AID PROJECT AID	

LEGEND

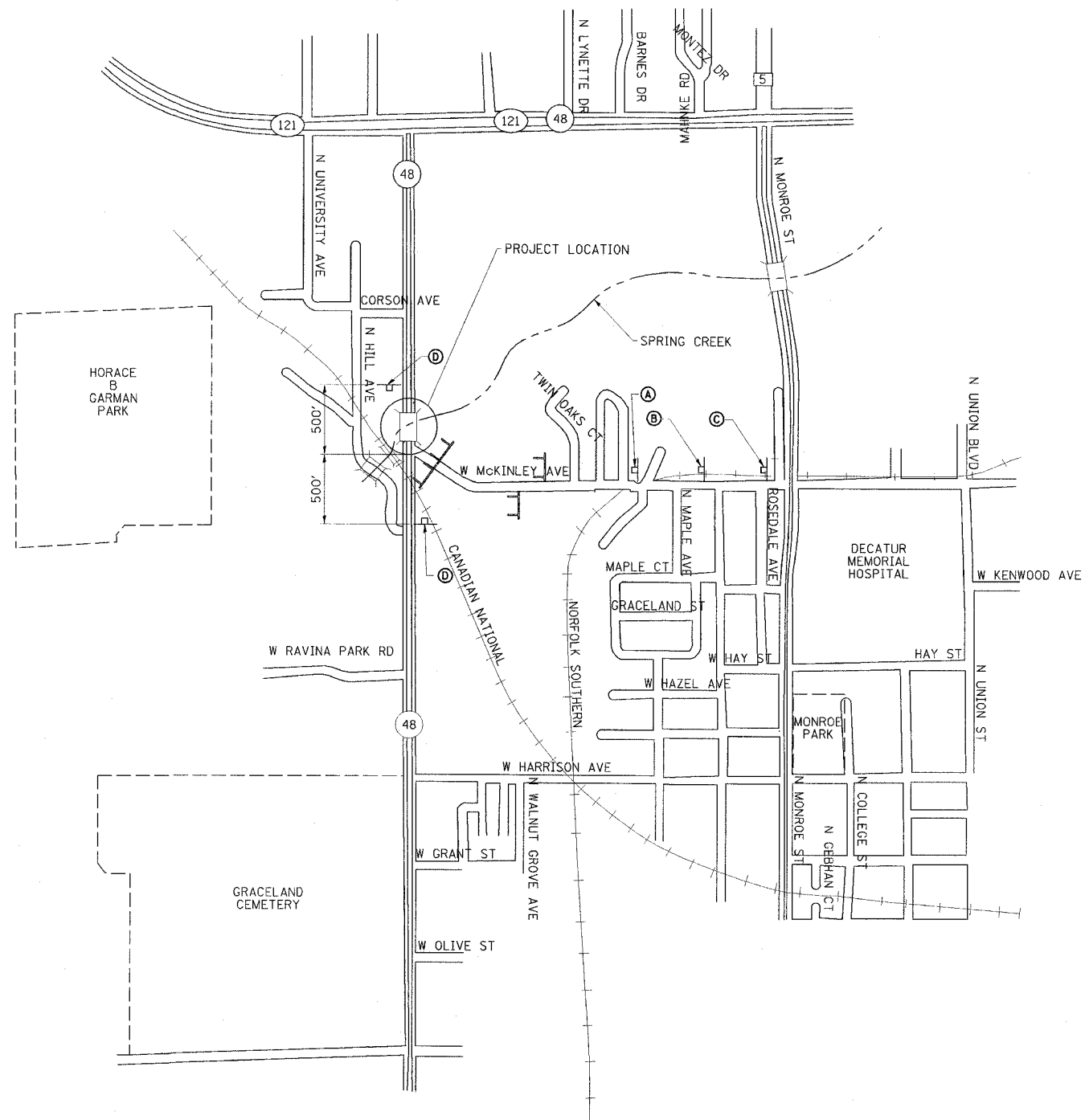
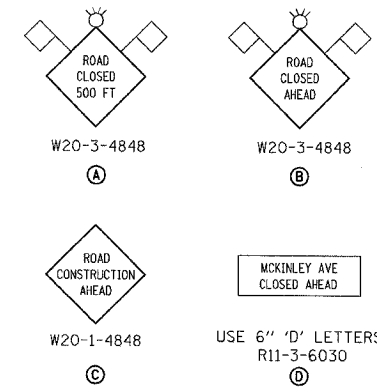
- TYPE III BARRICADE WITH 2 FLASHING LIGHTS PER BARRICADE
- SIGNS ON PERMANENT SUPPORTS
- FLASHING LIGHT ABOVE SIGN
- 18"X18" ORANGE FLAG
- STANDARD 702001 "ROAD CLOSED TO ALL TRAFFIC" APPLICATION
- STANDARD 702001 "ROAD CLOSED TO THRU TRAFFIC" APPLICATION

GENERAL NOTES

1. ALL TRAFFIC CONTROL DEVICES SHALL BE FURNISHED, ERECTED AND MAINTAINED BY THE CONTRACTOR, UNLESS NOTED OTHERWISE.
2. ALL SIGNS NOT ATTACHED TO BARRICADES SHALL BE POST MOUNTED.
3. LOCATIONS OF TRAFFIC CONTROL DEVICES MAY BE ADJUSTED BY THE ENGINEER.
4. COVER ALL MCKINLEY AVENUE SIGNS UNTIL IT IS REOPENED TO TRAFFIC.
5. ALL TRAFFIC CONTROL SHOWN ON THIS SHEET SHALL BE PAID FOR PER LUMP SUM FOR TRAFFIC CONTROL AND PROTECTION STANDARD BLR 22. OTHER ITEMS REQUIRED BY THE ENGINEER AND NOT SHOWN ON THIS DRAWING SHALL BE INCLUDED IN THE PAY ITEM AND NO ADDITIONAL COMPENSATION WILL BE ALLOWED.

SIGN MOUNTING LOCATIONS

- ⓑ 1000' IN ADVANCE OF ⓐ
- ⓐ 500' IN ADVANCE OF "ROAD CLOSED TO THRU TRAFFIC"



ROAD CLOSURE PLAN
NO SCALE

ESCA CONSULTANTS, INC.		
DESIGNED BY:	ELH	12/06
DRAWN BY:	HAG/JPC	12/06
CHECKED BY:	ELH	03/07
APPROVED BY:	RDP	03/07

McKINLEY AVENUE
ROAD CLOSURE DETAILS
FAP ROUTE 716 (IL 48)
OAKLAND AVENUE
SECTION (130BR-1)BR
MACON COUNTY
SN 058-0056