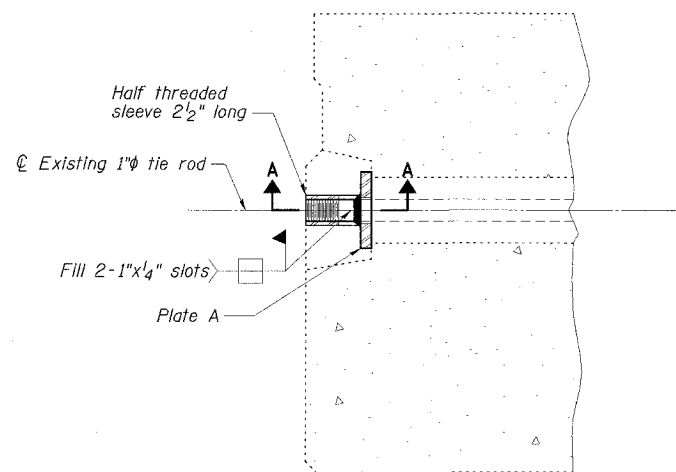


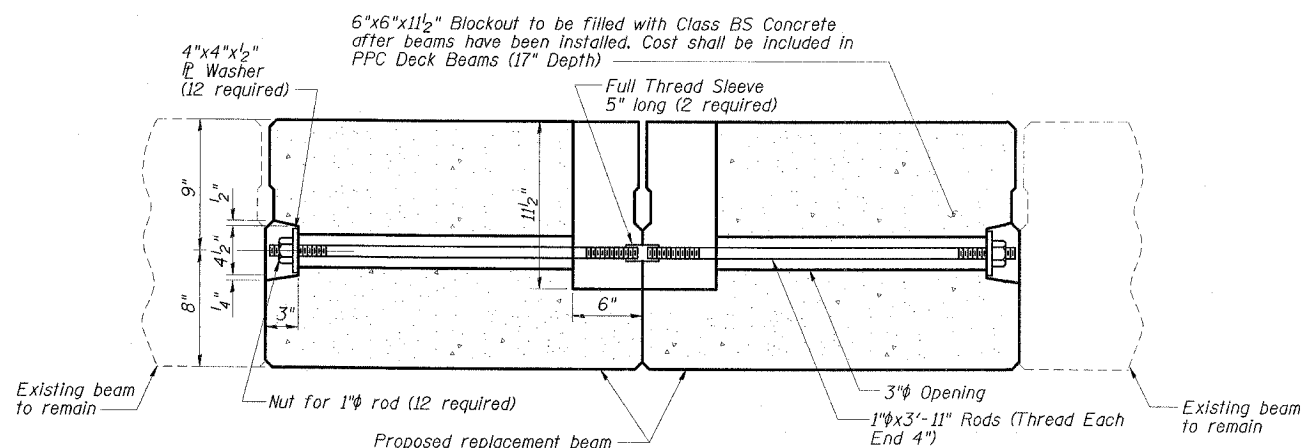
STATE OF ILLINOIS
DEPARTMENT OF TRANSPORTATION

ROUTE NO.	SECTION	QUANTITY	DATE	SHEET NO.
FAP 716	*	MACON	22	10
FED. ROAD DIST. NO. #	ILLINOIS	FED. AID PROJECT - AID		
*130BR-1BR		CONTRACT NO. 74239		

SHEET NO. 4
5 SHEETS



DETAIL A
(8 Required)



TRANSVERSE TIE ASSEMBLY-DETAIL 1

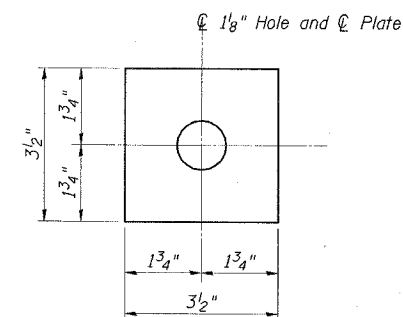
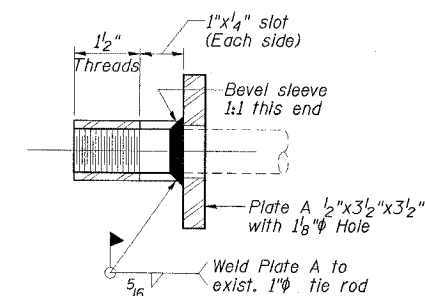
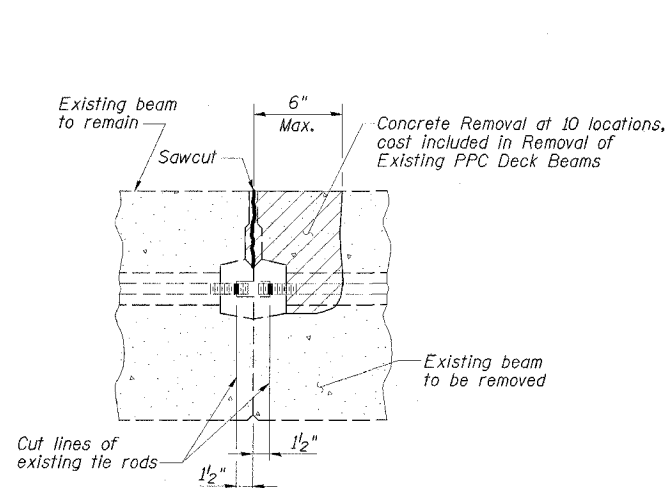


PLATE A

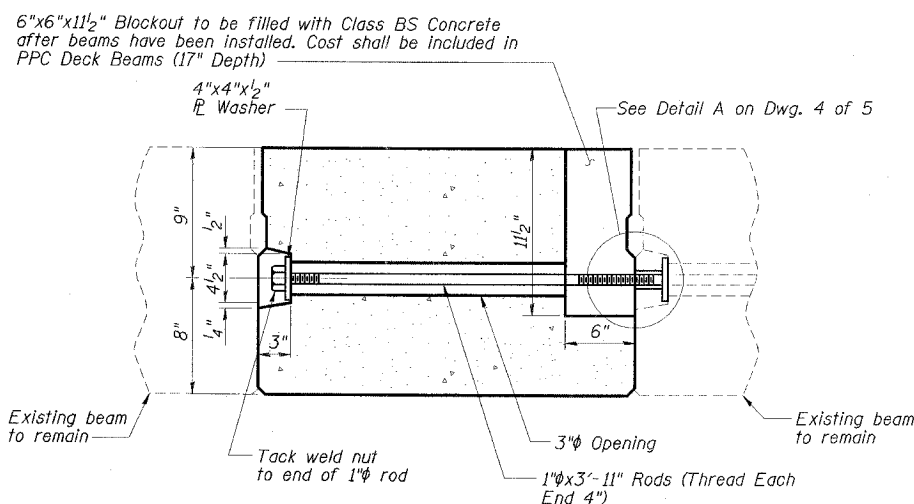


SECTION A-A

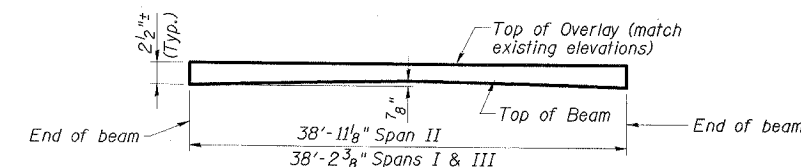


BEAM REMOVAL DETAIL AT TRANSVERSE TIES

Note:
Existing grout covering nuts for transverse tie assemblies shall be removed. Existing rods shall be cut as detailed to allow beam removal. Cost included in Removal of Existing PPC Deck Beams.



TRANSVERSE TIE ASSEMBLY-DETAIL 2



ANTICIPATED INITIAL CAMBER DIAGRAM

ESCA
CONSULTANTS, INC.

DESIGNED BY:	ELH	02/07
DRAWN BY:	JPC	02/07
CHECKED BY:	ELH	03/07
APPROVED BY:	RDP	03/07

DECK BEAM DETAILS
FAP ROUTE 716 (IL 48)
OAKLAND AVENUE
SECTION (130BR-1BR)
MACON COUNTY
SN 058-0056