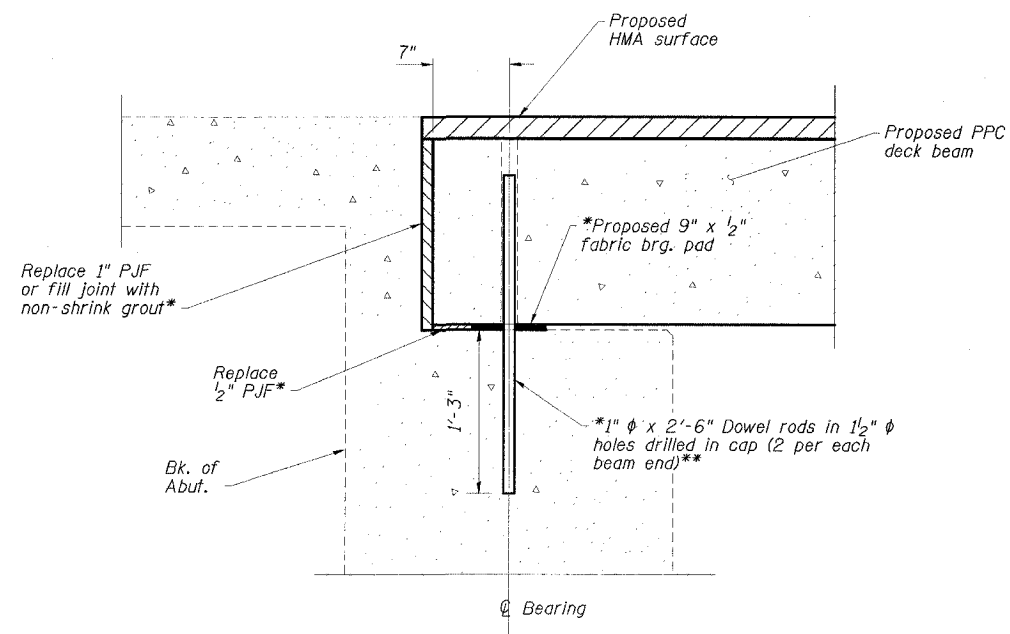


STATE OF ILLINOIS
DEPARTMENT OF TRANSPORTATION

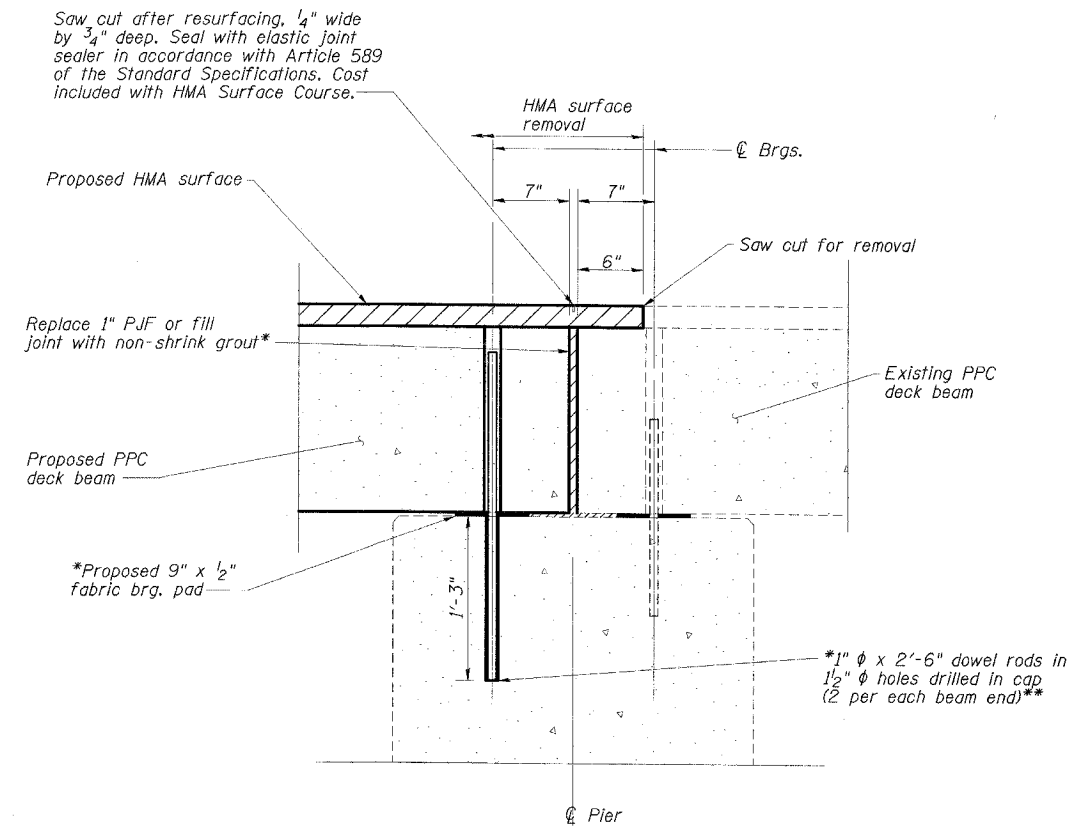
ROUTE NO.	SECTION	COUNTY	DISTRICT	SHEET NO.	SHEET NO.
FAP 716	*	MACON	22	11	5 SHEETS
FED. ROAD DIST. NO. *					FED. AID PROJECT NO. AND
*130BR-11BR					CONTRACT NO. 74239

*Cost included in PPC Deck Beams

** Existing dowel rods are to be burned off and ground flush prior to placement of new beams. Cost included in Removal of Existing PPC Deck Beams. After beams have been erected holes shall be drilled into cap and dowel rods placed. Dowel holes shall be filled with non-shrink grout to top of beam and allowed to cure a minimum of 24 hours prior to grouting the shear keys, cost included in PPC Deck Beams.



TYPICAL SECTION AT ABUTMENT
(Horizontal dimensions are at right angles to beam ends)



TYPICAL SECTION AT PIER
(Horizontal dimensions are at right angles to beam ends)

ESCA
CONSULTANTS, INC.

DESIGNED BY:	ELH	02/07
DRAWN BY:	JPC	02/07
CHECKED BY:	ELH	02/07
APPROVED BY:	RDP	02/07

DECK BEAM DETAILS
FAP ROUTE 716 (IL 48)
OAKLAND AVENUE
SECTION (130BR-11BR)
MACON COUNTY
SN 058-0056