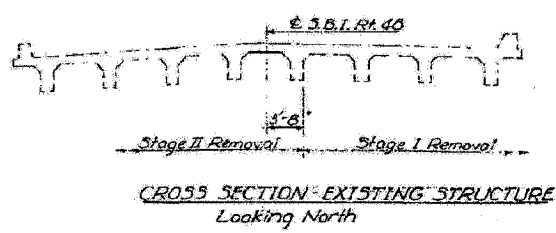
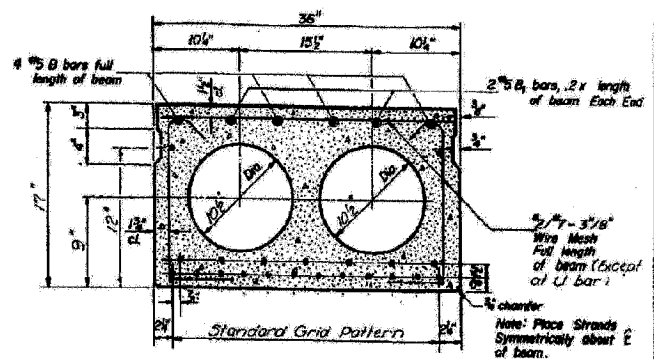
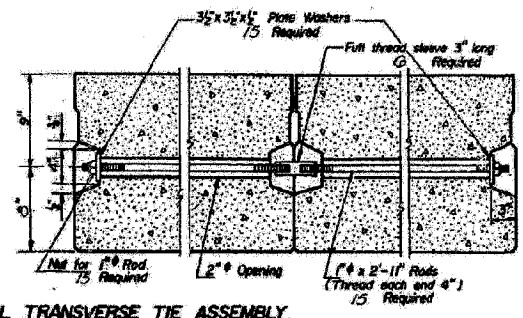
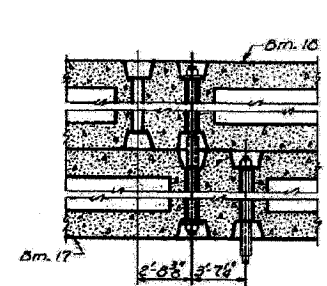
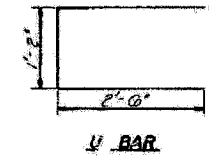
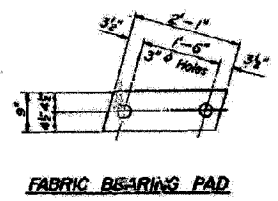




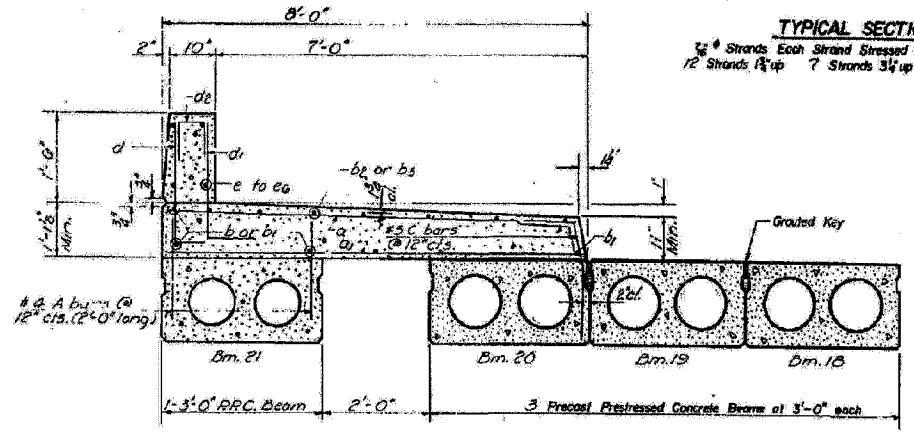
STATE OF ILLINOIS  
DEPARTMENT OF TRANSPORTATION

SECTION	COUNTY	TOTAL SHEETS	SHEET NO.
130BR-1BR	MACON	22	15

FAP RTE	SECTION	COUNTY	TOTAL SHEETS	SHEET NO.
716	(130BR-1BR)	MACON	22	15
STA.	TO STA.			
FED. ROAD DIST. NO.	ILLINOIS	FED. AID PROJECT AID		

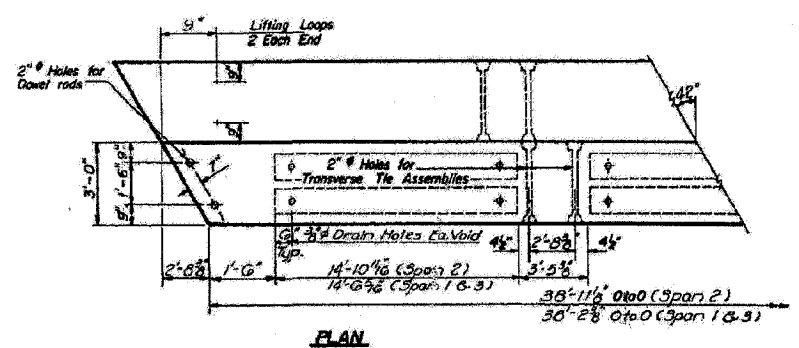


Note: Dm. #21 is not tied transversely to the other beams.

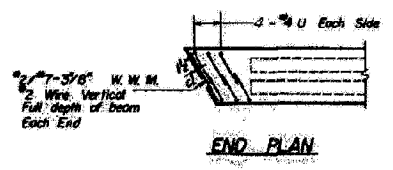


PARTIAL CROSS SECTION

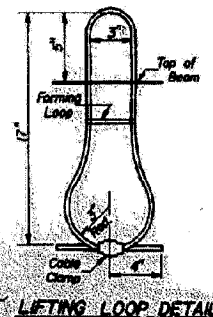
For detail of bar C see Sheet No. 5



PLAN



END PLAN



LIFTING LOOP DETAIL

DESIGNED: Simon T. Bessa	EXAMINED: [Signature]
CHECKED: [Signature]	DATE: SEPT. 10, 1970
DRAWN: JAMES R. CARMIN	FILED: [Signature]
CHECKED: JP	DATE: [Signature]

PD-1-R 11-19-65

GENERAL NOTES

Prestressing steel shall be non-galvanized high strength, stress-relieved 7-wire strand. The nominal diameter shall be 7/8" and the nominal cross-sectional area shall be 0.109 sq. in. Lifting loops shall be 2" diameter, 6 x 19 class wire rope with fiber core and shall have a minimum ultimate tensile strength of 23,000 lbs. The 1/2" rods in the transverse tie assembly shall be tightened to a snug fit and the threads set. Pockets that receive transverse tie bars on outside beam shall be filled with grout after transverse tie assembly is in place. Longitudinal shear keys shall be packed with a very dry mix of 2:4 sand and P.C. mortar. After beams have been erected, holes for the dowel anchors shall be drilled into the sub-structure and the anchor dowels shall be grouted in place.

After fabrication the transverse tie assemblies (tie rods, nuts, washers and sleeves) shall be hot-dipped galvanized in accordance with A.S.T.M. Designation A153. Cost of reinforcement and accessories cast into the beam, of bearing rods, of corner angles, and of grouting longitudinal shear keys is included in unit price bid for Precast Prestressed Concrete Deck Beams. Steel for dowel rods shall be ASTM A-306 or ASTM A-G15. Steel for transverse tie rods shall be ASTM A-306, Grade 70-80.

BILL OF MATERIAL

Precast Prestressed Concrete Deck Beams	Sq. Ft.	1504

SUPERSTRUCTURE DETAILS  
S.B.L.P.T. 13 SEC. 130BR  
MACON COUNTY  
STA. 135+77.00

**ESCA**  
CONSULTANTS, INC.

DESIGNED BY:	ELH	02/07
DRAWN BY:	JPC	02/07
CHECKED BY:	ELH	02/07
APPROVED BY:	RDP	02/07

EXISTING BRIDGE PLANS  
FAP ROUTE 716 (IL 48)  
OAKLAND AVENUE  
SECTION (130BR-1BR)  
MACON COUNTY  
SN 058-0056