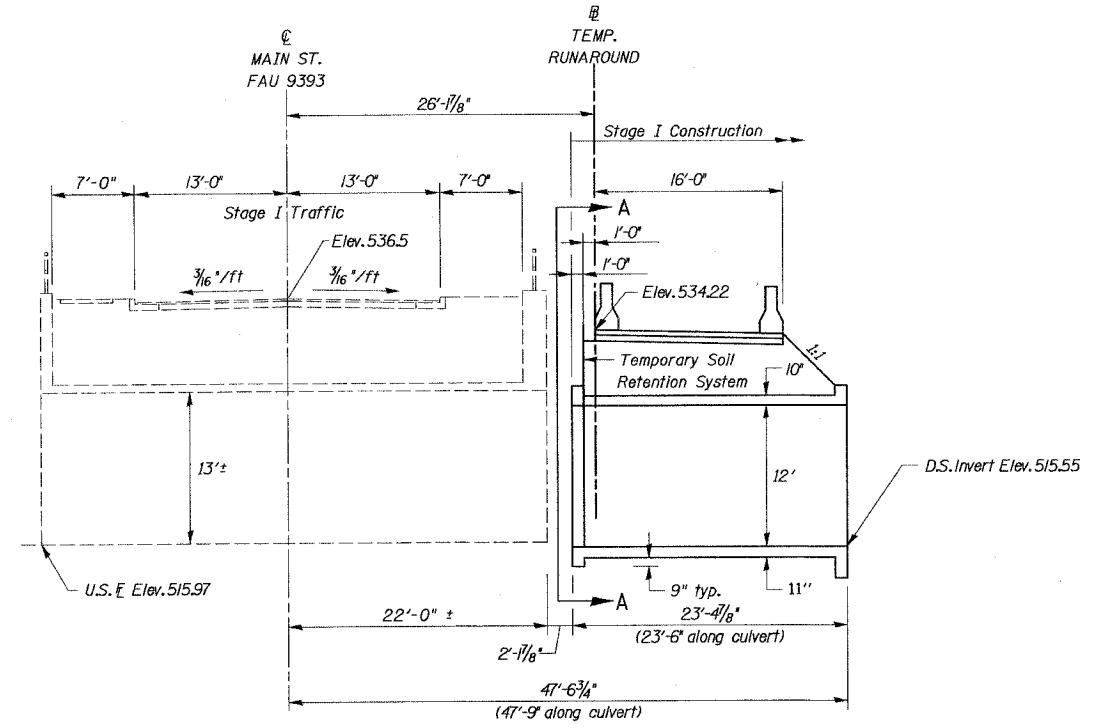
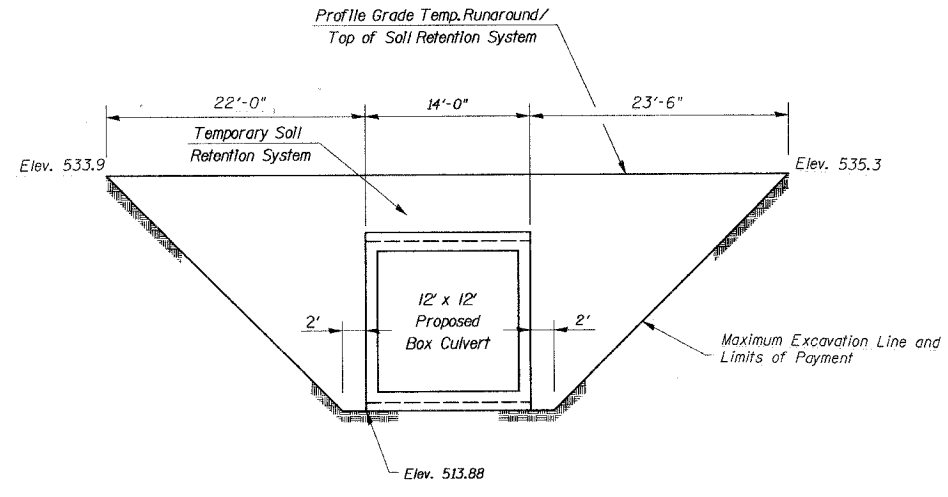


ROUTE NO.	SECTION	COUNTY	TOTAL SHEETS	SHEET NO.
F.A.U. 9393	37-BR	MADISON	38	20
FED. ROAD DIST. NO. 7		ILLINOIS	FED. AID PROJECT-	
CONTRACT NO. 76304				

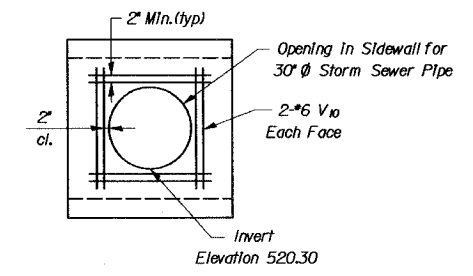
SHEET NO. 2
5 SHEETS



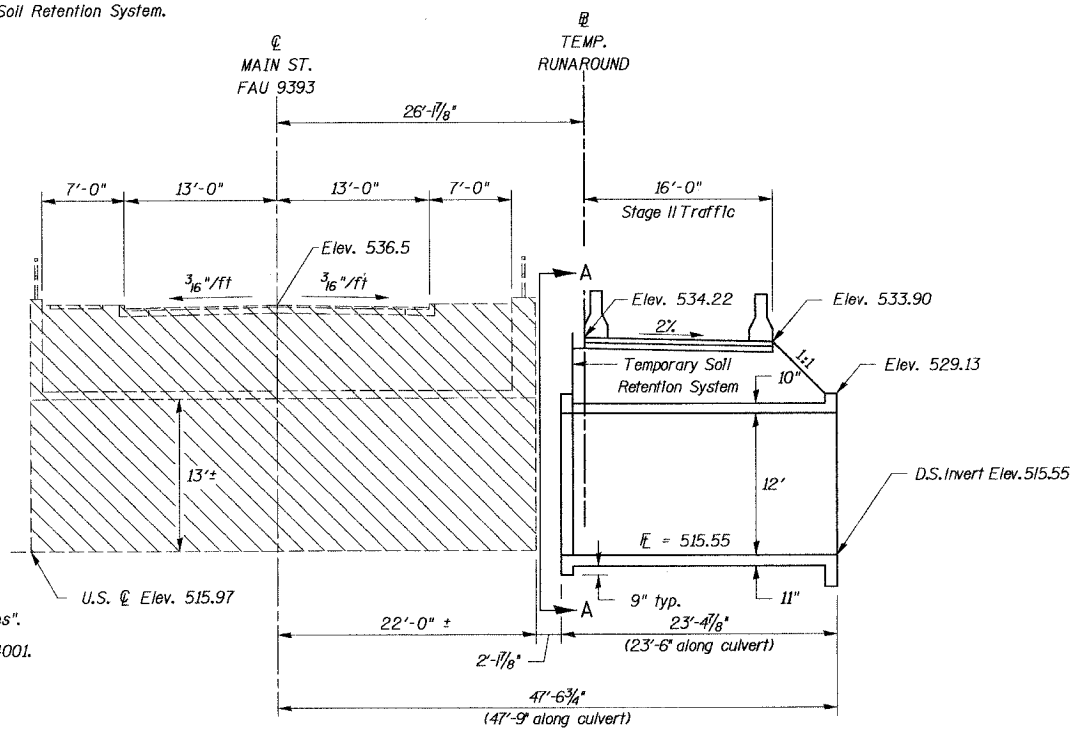
STAGE I CONSTRUCTION LONGITUDINAL SECTION
(All dimensions at Rt. angles to C Main St.)
Establish traffic control as shown on the plans.
Construct east section of proposed culvert.
Construct temporary runaround and Temporary Soil Retention System.



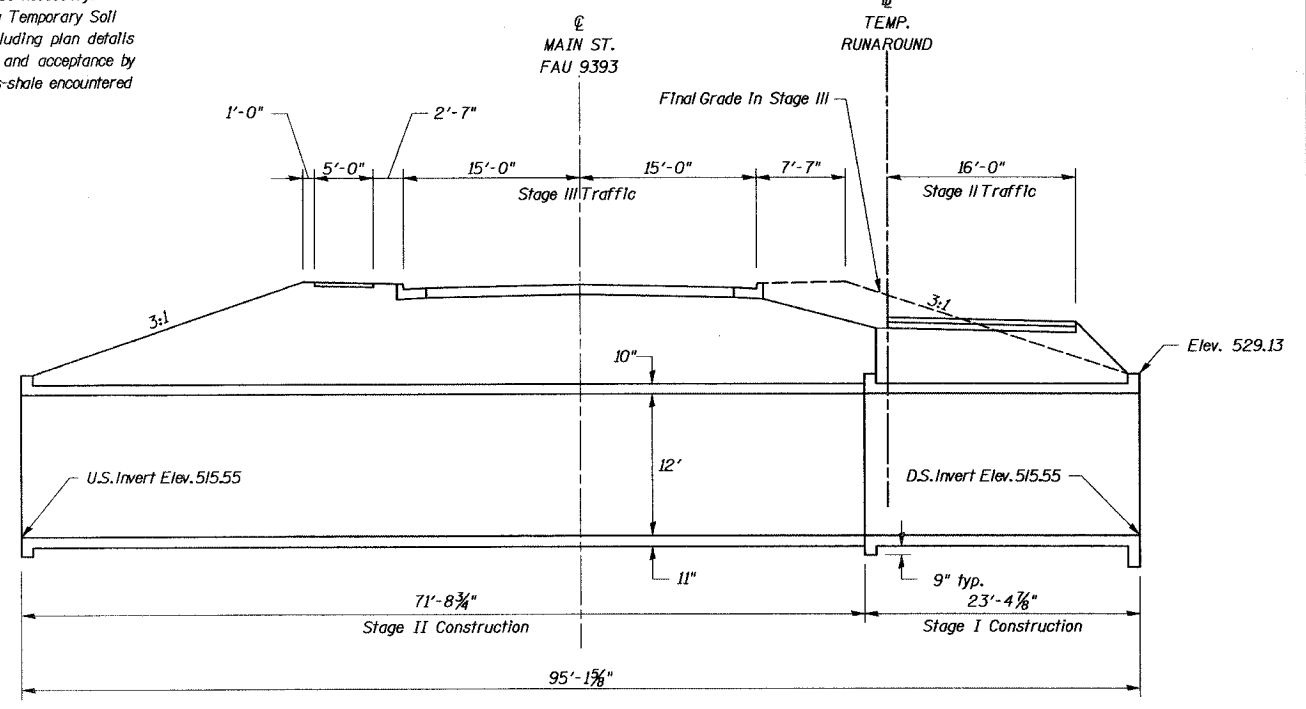
SECTION A-A
(Showing Temporary Soil Retention System)
A cantilevered sheet piling design does not appear feasible and additional members or other retention systems may be necessary. The Contractor shall submit a Temporary Soil Retention System design including plan details and calculations for review and acceptance by the Engineer. See boring logs shale encountered at elevation 505.3.



SECTION B-B
(See Sheet 3 of 5)



STAGE II REMOVAL LONGITUDINAL SECTION
(All dimensions at Rt. angles to C Main St.)
Traffic maintained on runaround.
Remove existing culvert



STAGE II CONSTRUCTION LONGITUDINAL SECTION
(All dimensions at Rt. angles to C Main St.)
Establish traffic control as shown on the plans.
Construct west section of proposed culvert.

NOTES
Hatched areas indicate "Removal of Existing Structures".
For Temporary Concrete Barrier details, see Std. 704001.

DESIGNED	ALN
CHECKED	
DRAWN	JI
CHECKED	ALN

REVISIONS	
NAME	DATE

ILLINOIS DEPARTMENT OF TRANSPORTATION
STAGE CONSTRUCTION DETAILS
MAIN ST. OVER UNNAMED
TRIBUTARY TO WENDELL BRANCH
F.A.U. ROUTE 9393 - SEC. 37BR
MADISON COUNTY
STATION 28+88.77
STRUCTURE NO. 060-2407