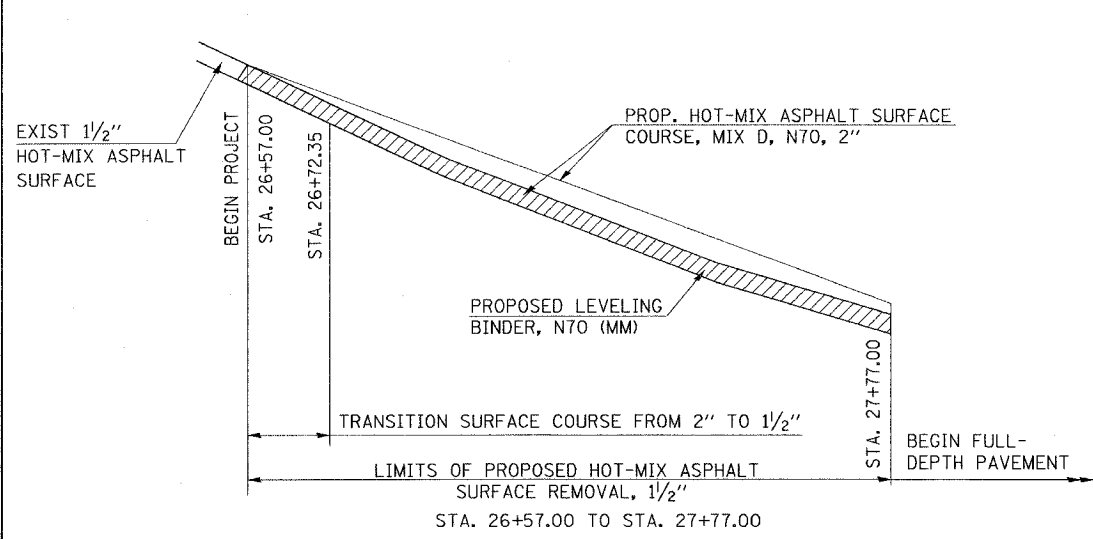
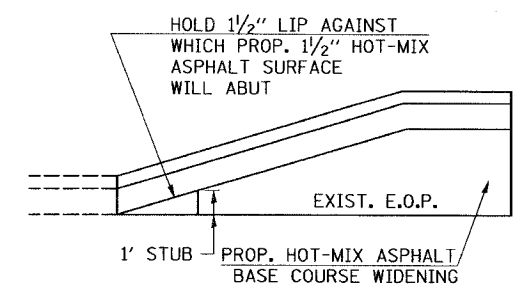
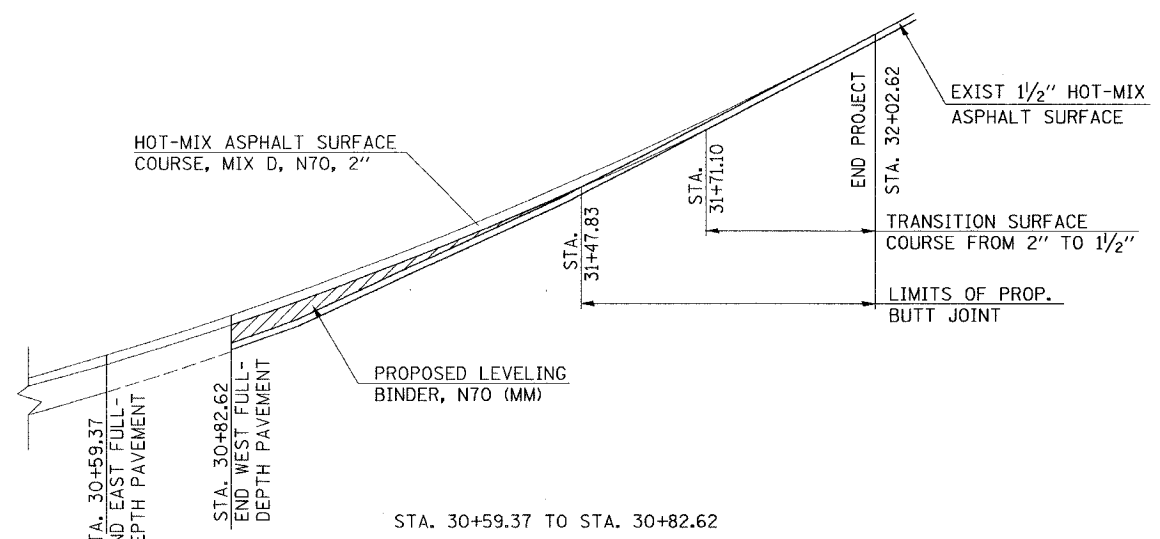


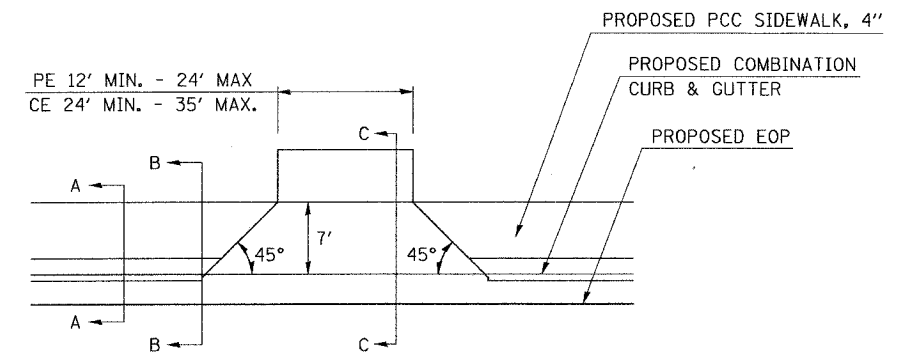
FAU ROUTE	SECTION	COUNTY	TOTAL SHEETS	SHEET NO.
9393	37-BR	MADISON	38	28
STA. TO STA.		EXISTING CONDITIONS:		
CONTRACT NO. 76304				



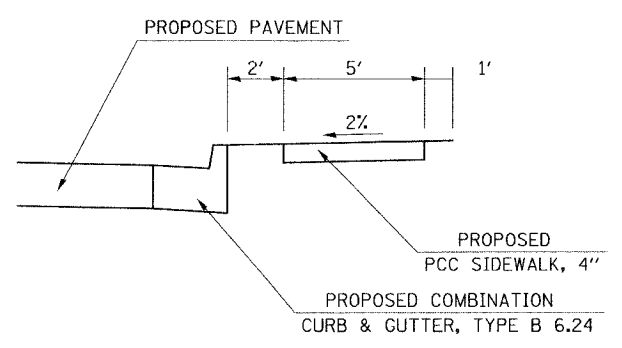
PROPOSED PAVEMENT TRANSITION DETAIL
NOT TO SCALE



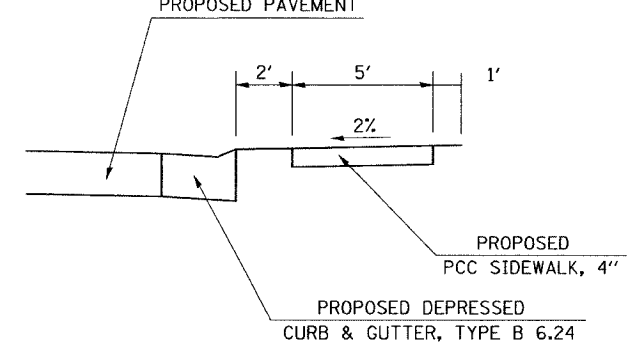
DETAIL FOR TERMINATION OF
HOT-MIX ASPHALT BASE COURSE
WIDENING (LEFT SIDE WIDENING)
NOT TO SCALE



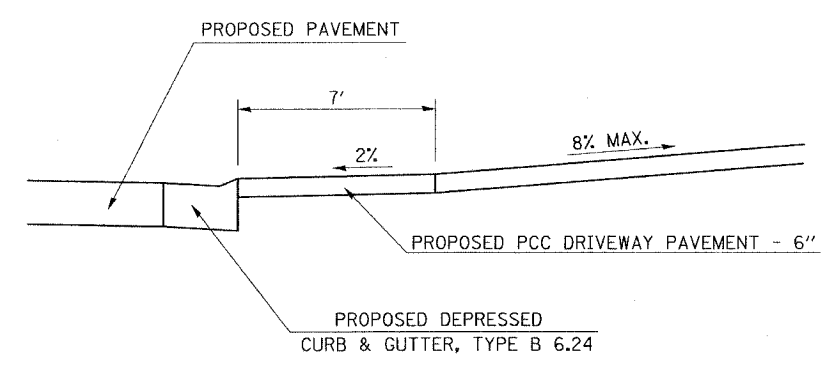
CURB AND GUTTER ENTRANCE DETAIL
NOT TO SCALE



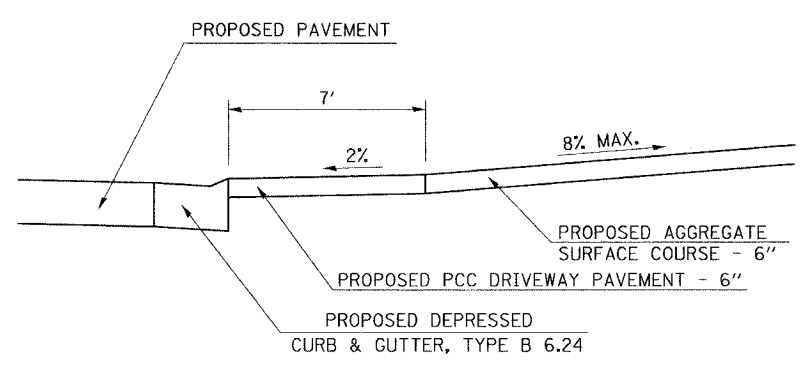
SECTION A-A
NOT TO SCALE



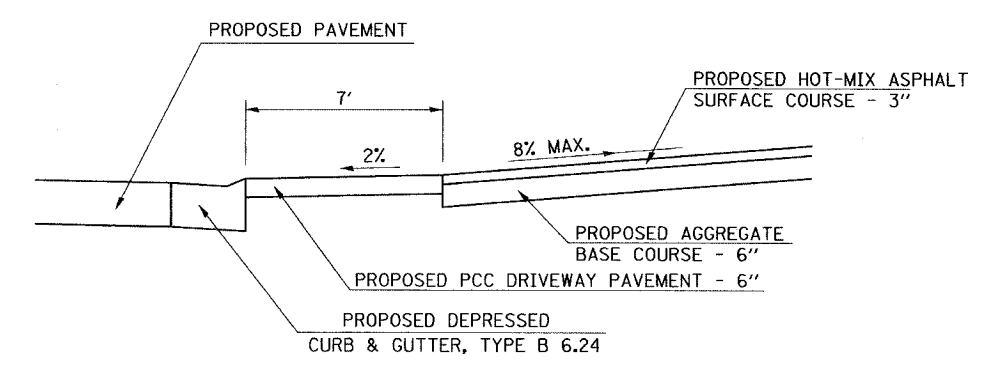
SECTION B-B
NOT TO SCALE



SECTION C-C
NOT TO SCALE
(P.C.C. ENTRANCE)



SECTION C-C
NOT TO SCALE
(AGGREGATE ENTRANCE)



SECTION C-C
NOT TO SCALE
(BIT. CONC. ENTRANCE)

REVISIONS	
NAME	DATE

ILLINOIS DEPARTMENT OF TRANSPORTATION
PROJECT DETAILS

FAU ROUTE 9393 (MAIN ST.)
SECTION 37-BR
MADISON COUNTY

DRAWN BY: SGK

PLAN	DATE
SURVEYED	
ALIGNED	
CHECKED	
BY	
NO.	

PLD: DATE: 12/2/2006
FILE: 37BR.DWG
DRAWN BY: SGK