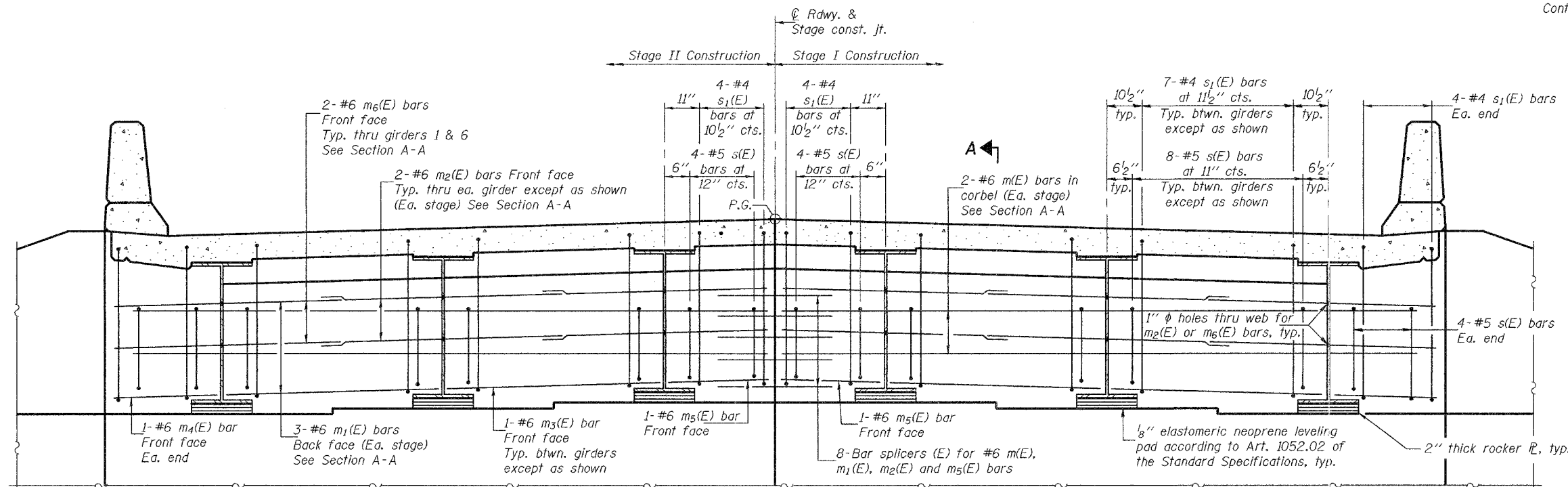


STATE OF ILLINOIS
DEPARTMENT OF TRANSPORTATION

ROUTE NO.	SECTION	COUNTY	TOTAL SHEETS	SHEET NO.
FAP 785	134-IBR-2	MADISON	31	50
FED. ROAD DIST. NO. 7	ILLINOIS	FED. AID PROJECT		

SHEET NO. 10
23 SHEETS

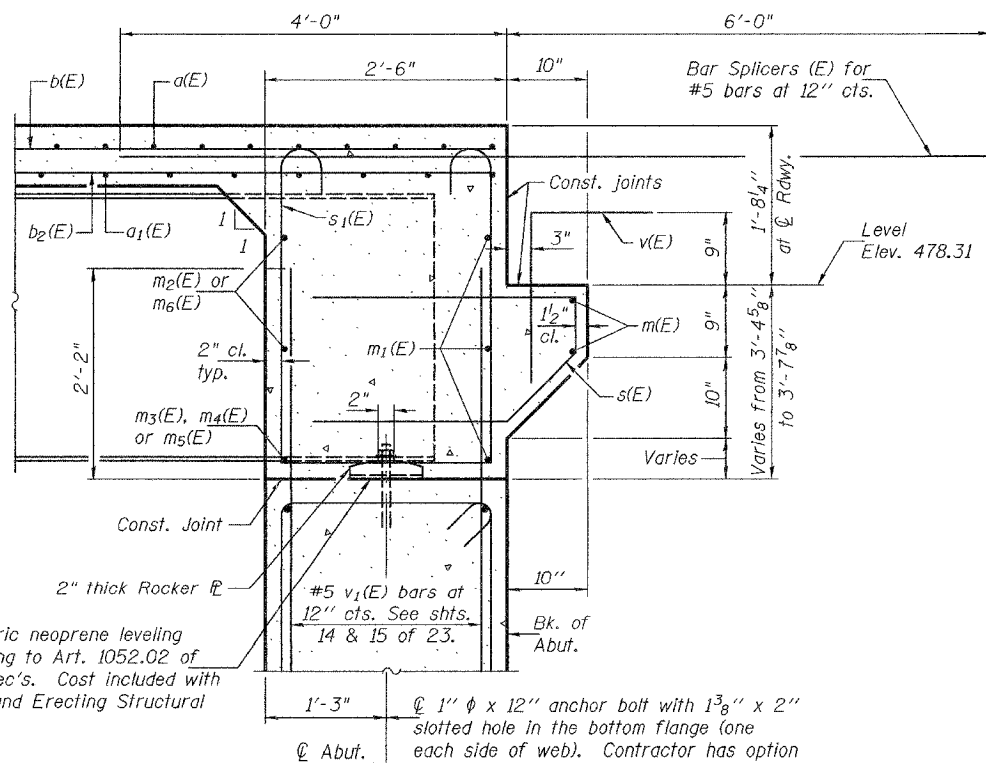
Contract #76902



DIAPHRAGM ELEVATION AT EAST ABUTMENT

(Looking East - West abutment similar)

Notes: Reinforcement bars in diaphragm are billed with superstructure on sheet 9 of 23.
Concrete in diaphragm is included with Concrete Superstructure on sheet 9 of 23.
For details of bars s(E) & s₁(E) see sheet 9 of 23.
See sheet 12 of 23 for holes thru web for m₂(E) or m₆(E) bars.
For bar splicer (E) details see sheet 18 of 23.



MIN. BAR LAP
#6 bar = 2'-7"

DESIGNED	R.L. Tharp
CHECKED	N.R. Barnett
DRAWN	h.t. duong
CHECKED	RLT/NRB

April 9, 2007

EXAMINED *Thomas J. Demagala*
ENGINEER OF BRIDGE DESIGN

PASSED *Ralph E. Anderson*
ENGINEER OF BRIDGES AND STRUCTURES

DIAPHRAGM DETAILS
F.A.P. RTE. 785 - SEC. 134-IBR-2
MADISON COUNTY
STATION 623+90.00
STRUCTURE NO. 060-0240

SECTION A-A