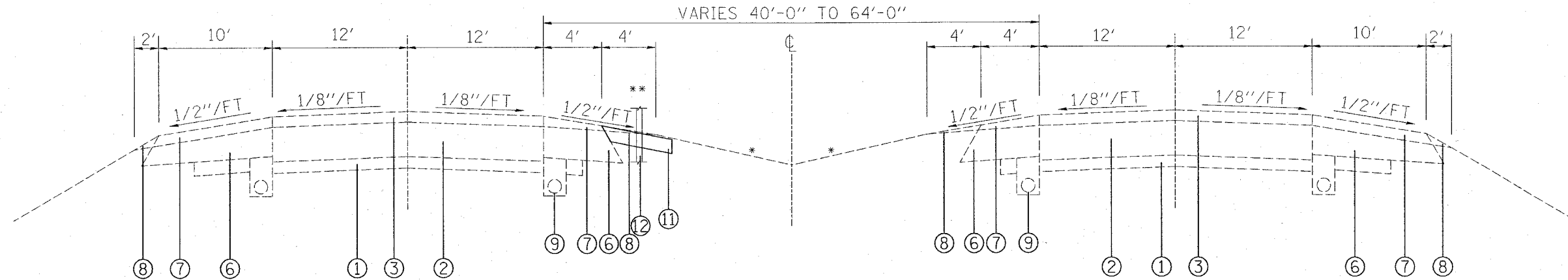


F.A.I. RTE.	SECTION	COUNTY	TOTAL SHEETS	SHEET NO.
270	60-(2,3)I	MADISON	32	5
STA.		TO STA.		
FED. ROAD DIST. NO.		ILLINOIS FED. AID PROJECT		



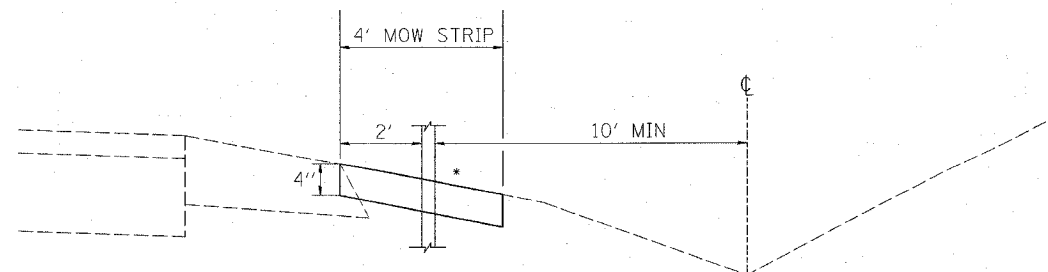
TYPICAL SECTION  
 STA. 211+91 TO STA. 235+10  
 STA. 289+94 TO STA. 296+35

**LEGEND**

- ① EXISTING 6" SUB-BASE GRANULAR MATERIAL
- ② EXISTING PCC PAVEMENT, 10"
- ③ EXISTING HOT-MIX ASPHALT OVERLAY
- ④ EXISTING CONCRETE MEDIAN
- ⑤ EXISTING COMB. CONC. CURB & GUTTER
- ⑥ EXISTING HOT-MIX ASPHALT SHOULDER
- ⑦ EXISTING HOT-MIX ASPHALT SHOULDER OVERLAY
- ⑧ EXISTING AGG. SHOULDER WEDGE
- ⑨ EXISTING UNDERDRAINS
- ⑩ EXISTING CONCRETE MEDIAN SURFACE
- ⑪ PROPOSED HOT MIX-ASPHALT SHOULDER, 4" (MOW STRIP)
- ⑫ PROPOSED HIGH TENSION CABLE MEDIAN BARRIER

\* MEDIAN SLOPES VARY 4:1 AND FLATTER

\*\* LOCATION OF HTC AND MOW STRIP VARIES BETWEEN EB AND WB LANES. SEE PLAN SHEETS FOR LOCATIONS.



\* MATCH EXISTING SLOPE;  
 MUST BE 4:1 OR FLATTER.  
 SEE GENERAL NOTE 15

REVISIONS	
NAME	DATE

ILLINOIS DEPARTMENT OF TRANSPORTATION  
**TYPICAL SECTIONS**  
 FAI RTE 270  
 SECTION 60-(2,3)I  
 MADISON COUNTY

SCALE: VERT.  
 HORIZ.  
 DATE

DRAWN BY  
 CHECKED BY

Rev. Sheet 6-1-07