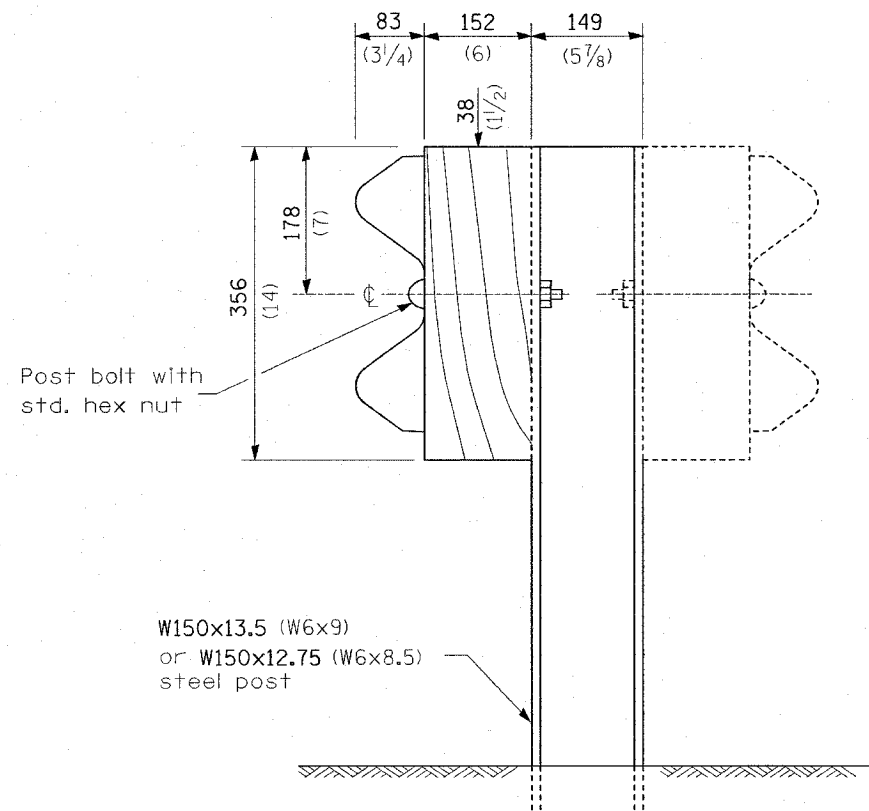
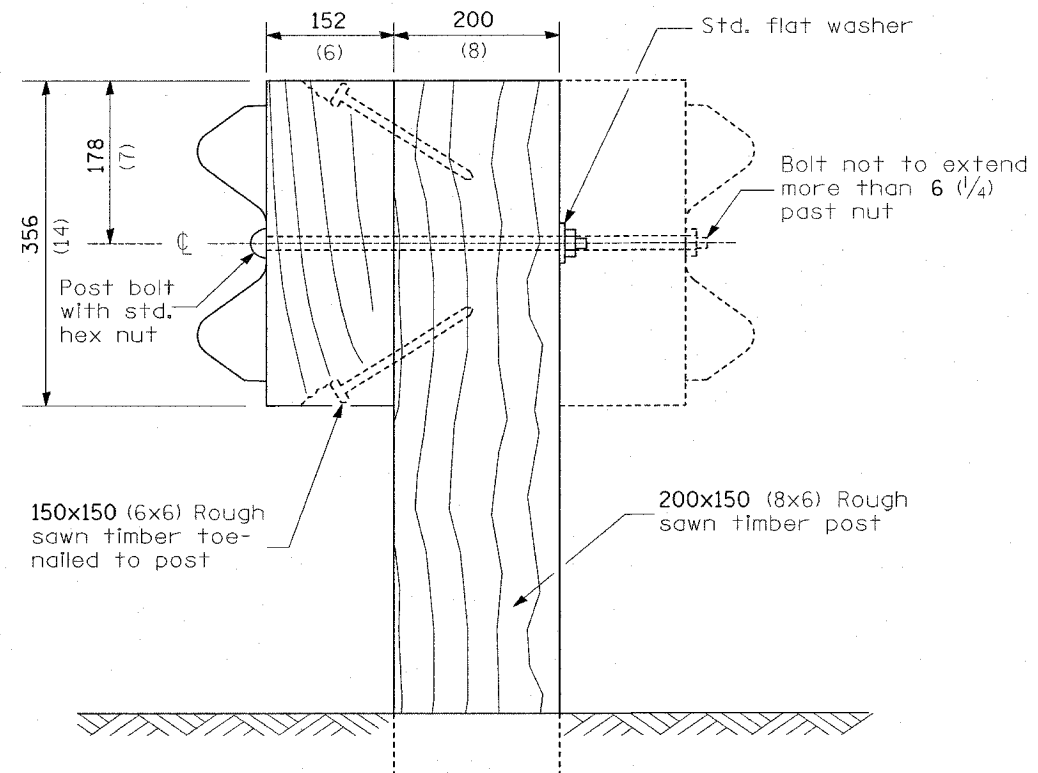


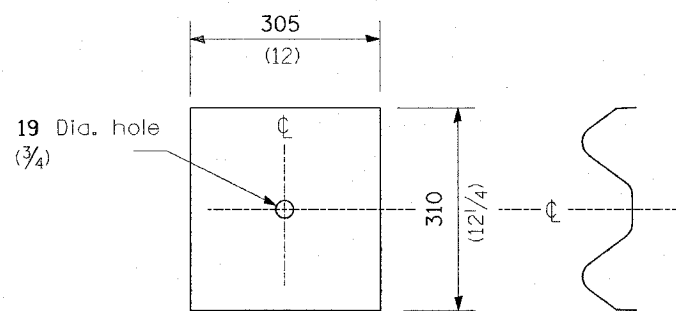
|                     |           |                  |              |           |
|---------------------|-----------|------------------|--------------|-----------|
| CONTRACT NO. 76A20  |           |                  |              |           |
| F.A.I. RTE.         | SECTION   | COUNTY           | TOTAL SHEETS | SHEET NO. |
| 64                  | 60-(2,3)I | MADISON          | 32           | 28        |
| STA.                | TO STA.   |                  |              |           |
| FED. ROAD DIST. NO. | ILLINOIS  | FED. AID PROJECT |              |           |



STEEL POST CONSTRUCTION



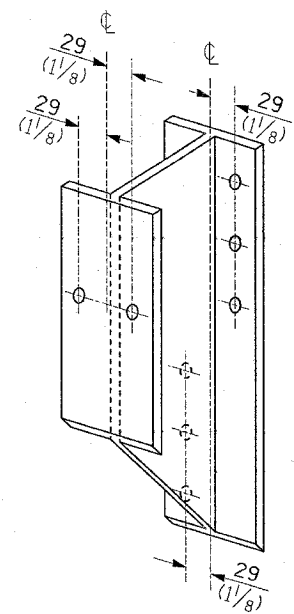
WOOD POST CONSTRUCTION



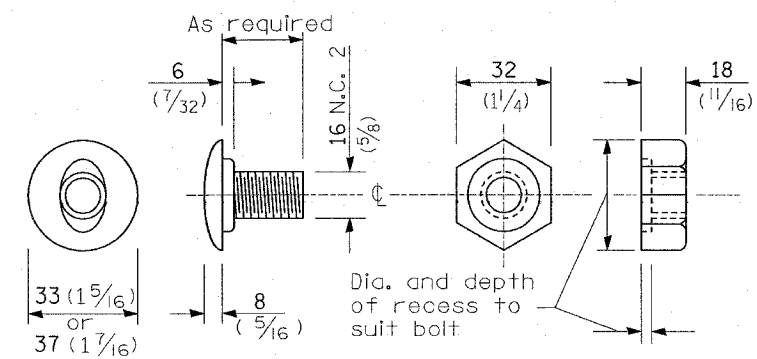
NOTE

Plate A shall be placed between rail element and block-out at non-splice mounting points only when steel block-outs are used.

PLATE A



STEEL BLOCK-OUT DETAIL



POST OR SPLICE BOLT & NUT

ILLINOIS DEPARTMENT OF TRANSPORTATION

**STEEL PLATE BEAM  
GUARDRAIL**

FAI RTE 270  
SECTION 60-(2,3)I  
MADISON COUNTY