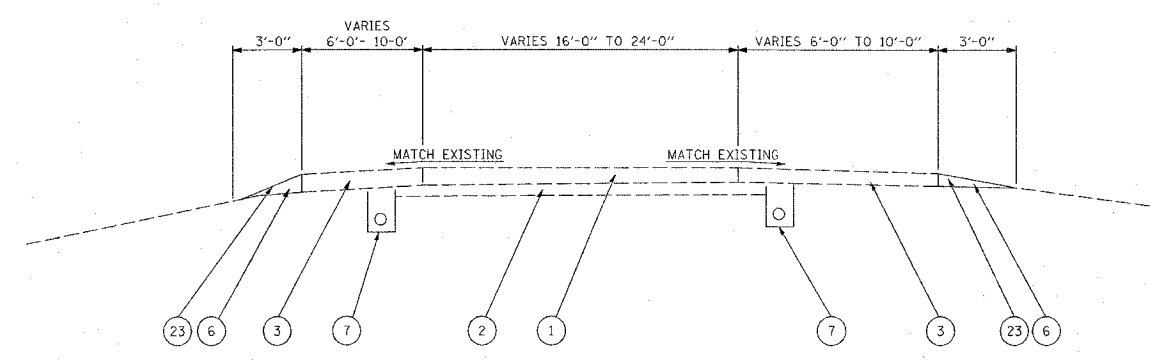
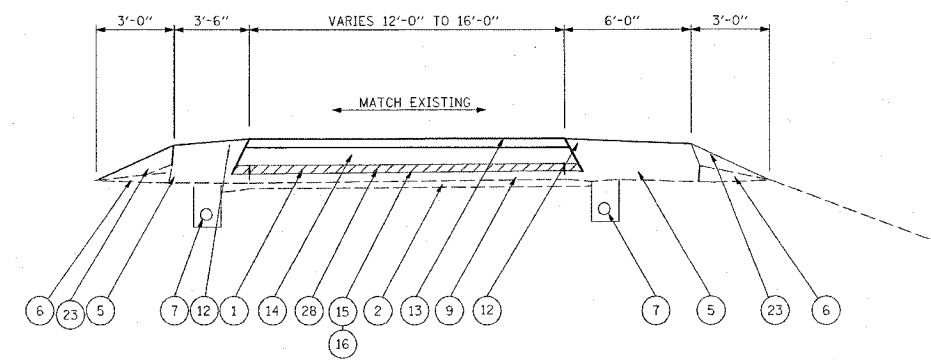


F.A.I. R.T.E.	SECTION	COUNTY	TOTAL SHEETS	SHEET NO.
*	**	MADISON	37	8
STA. TO STA.		FED. ROAD DIST. NO. ILLINOIS FED. AID PROJECT		

**255-55/70
 **160-7, 60-9)RS AND 60-16-1,7-1)RS



LOCATION #2
 TYPICAL SECTION - RAMPS 1 & 7
 STA. 148+04 TO STA. 179+64 (RAMP 1)
 STA. 703+19 TO 722+55 (RAMP 7)



LOCATION #2
 TYPICAL SECTION - RAMP 3 & 7
 STA. 340+48 TO STA. 366+35 (RAMPS)
 STA. 703+16 TO STA. 712+50 (RAMPS)

LEGEND

- ① EXISTING CRPCC PAVEMENT - 10"
- ② EXISTING STABILIZED SUB-BASE - 4"
- ③ EXISTING HOT- MIX ASPHALT SHOULDERS - 9"
- ④ EXISTING HOT- MIX ASPHALT SHOULDERS - 10"
- ⑤ EXISTING HOT- MIX ASPHALT SHOULDERS - 11"
- ⑥ EXISTING AGGREGATE SHOULDERS, TYPE B
- ⑦ EXISTING PIPE UNDERDRAINS
- ⑧ DELETED
- ⑨ EXISTING CRPCC PAVEMENT - 11"
- ⑩ DELETED
- ⑪ EXISTING HOT- MIX ASPHALT RESURFACING - 3"
- ⑫ PROPOSED HOT- MIX ASPHALT SHOULDERS - 3 3/4"
- ⑬ PROPOSED POLYMERIZED HOT-MIX ASPHALT SURFACE COURSE, SMA, N80 - 1 1/2"
- ⑭ PROPOSED POLYMERIZED HOT-MIX ASPHALT BINDER COURSE, SMA, N80 - 2 1/4"
- ⑮ PROPOSED BITUMINOUS MATERIALS - PRIME COAT
- ⑯ PROPOSED AGGREGATE PRIME COAT
- ⑰ DELETED
- ⑱ DELETED
- ⑲ STABILIZED SUB-BASE 4"
- ⑳ EXISTING PCC PAVEMENT 10"
- ㉑ DELETED
- ㉒ DELETED
- ㉓ DELETED
- ㉔ PROPOSED AGGREGATE SHOULDERS TYPE B
- ㉕ PROPOSED PCC SURFACE REM - 1/2"
- ㉖ PROPOSED PARTIAL DEPTH REMOVAL 2"
- ㉗ PROPOSED PARTIAL DEPTH PATCHING
- ㉘ PROPOSED HOT-MIX ASPHALT SURFACE REMOVAL - 1/2"
- ㉙ DELETED

PLOT DATE = 5/25/2007
 FILE NAME = c:\projects\76b15\loc2\p1\loc2p1.dgn
 PLOT SCALE = 50.0000' / 1"
 REFERENCE = #REF#

REVISIONS	
NAME	DATE

LOCATION #2
 ILLINOIS DEPARTMENT OF TRANSPORTATION
TYPICAL SECTIONS
LOCATION #2
 FAI 255, FAI 55/70
 SECTION (60-7, 60-9)RS &
 60-16-1,7-1)RS
 MADISON COUNTY
 SCALE: VERT. _____
 HORIZ. _____
 DATE _____ DRAWN BY _____
 CHECKED BY _____

Rev. Sheet 6-5-07