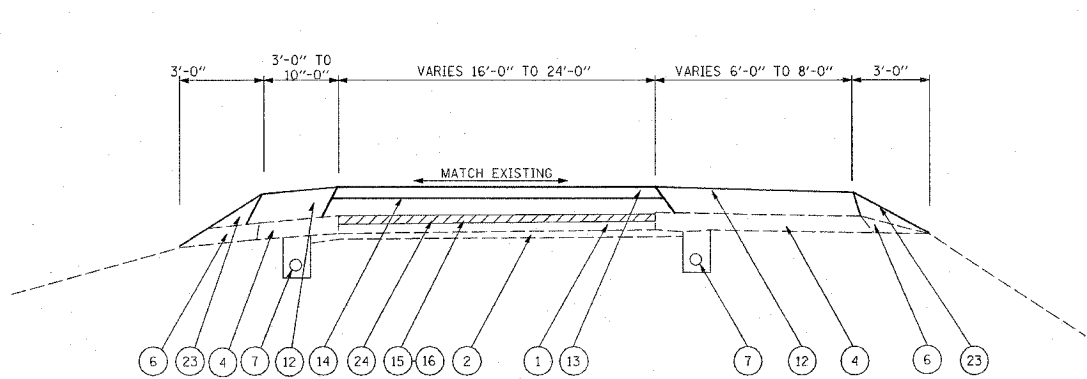
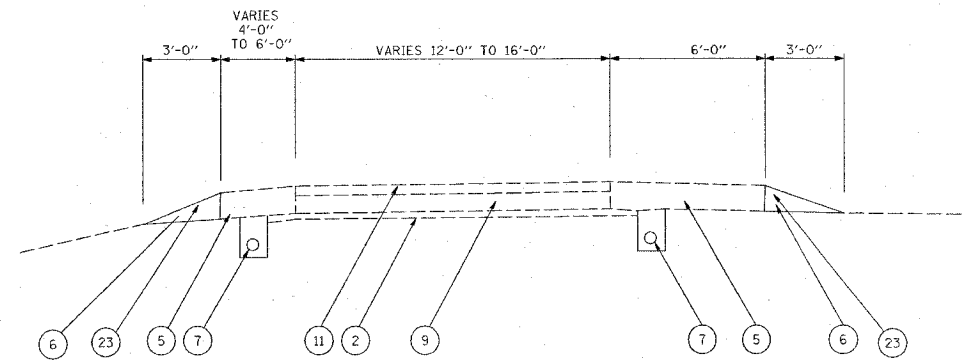


F.A.I. RTE.	SECTION	COUNTY	TOTAL SHEETS	SHEET NO.
*	**	MADISON	37	9
STA. TO STA.				
FED. ROAD DIST. NO.		ILLINOIS FED. AID PROJECT		

*-255-55/70
 ***(60-7, 60-9)RS AND 60-(6-1,7-1)RS



LOCATION #2
 TYPICAL SECTION - RAMP 6 & 1
 STA. 693+63 TO STA. 760+00 (RAMP 6)
 STA. 1558+00 TO STA. 1593+65 (RAMP 6)
 STA. 1564+00 TO STA. 1589+00 (RAMP 1)



LOCATION #2
 TYPICAL SECTION - RAMPS 2, 4, 5, & 8
 STA. 212+58 TO STA. 231+00 (RAMP 2)
 STA. 462+62 TO STA. 485+46 (RAMP 4)
 STA. 580+00 TO STA. 613+93 (RAMP 5)
 STA. 872+40 TO STA. 885+00 (RAMP 8)

LEGEND

- ① EXISTING CRPCC PAVEMENT - 10"
- ② EXISTING STABILIZED SUB-BASE - 4"
- ③ EXISTING HOT- MIX ASPHALT SHOULDERS - 9"
- ④ EXISTING HOT- MIX ASPHALT SHOULDERS - 10"
- ⑤ EXISTING HOT- MIX ASPHALT SHOULDERS - 11"
- ⑥ EXISTING AGGREGATE SHOULDERS, TYPE B
- ⑦ EXISTING PIPE UNDERDRAINS
- ⑧ DELETED
- ⑨ EXISTING CRPCC PAVEMENT - 11"
- ⑩ DELETED
- ⑪ EXISTING HOT- MIX ASPHALT RESURFACING - 3"
- ⑫ PROPOSED HOT- MIX ASPHALT SHOULDERS - 3 3/4"
- ⑬ PROPOSED POLYMERIZED HOT-MIX ASPHALT SURFACE COURSE, SMA, N80 - 1 1/2"
- ⑭ PROPOSED POLYMERIZED HOT-MIX ASPHALT BINDER COURSE, SMA, N80 - 2 1/4"
- ⑮ PROPOSED BITUMINOUS MATERIALS - PRIME COAT
- ⑯ PROPOSED AGGREGATE PRIME COAT
- ⑰ DELETED
- ⑱ DELETED
- ⑲ STABILIZED SUB-BASE 4"
- ⑳ EXISTING PCC PAVEMENT 10"
- ㉑ DELETED
- ㉒ DELETED
- ㉓ DELETED
- ㉔ PROPOSED AGGREGATE SHOULDERS TYPE B
- ㉕ PROPOSED PCC SURFACE REM - 1/2"
- ㉖ PROPOSED PARTIAL DEPTH REMOVAL 2"
- ㉗ PROPOSED PARTIAL DEPTH PATCHING
- ㉘ PROPOSED HOT-MIX ASPHALT SURFACE REMOVAL - 1/2"
- ㉙ DELETED

PLOT DATE = 5/25/2007
 FILE NAME = c:\projects\76b15\road\p1-081307a.dgn
 PLOT SCALE = 5/8"=1' / IN.
 REFERENCE = #REF#

LOCATION #2

REVISIONS	
NAME	DATE

ILLINOIS DEPARTMENT OF TRANSPORTATION
TYPICAL SECTIONS
LOCATION #2
 FAI 255, FAI 55/70
 SECTION (60-7, 60-9)RS &
 60-(6-1,7-1)RS
 MADISON COUNTY

SCALE: VERT.
 HORIZ.
 DATE

DRAWN BY
 CHECKED BY

Rev. Sheet 6-5-07