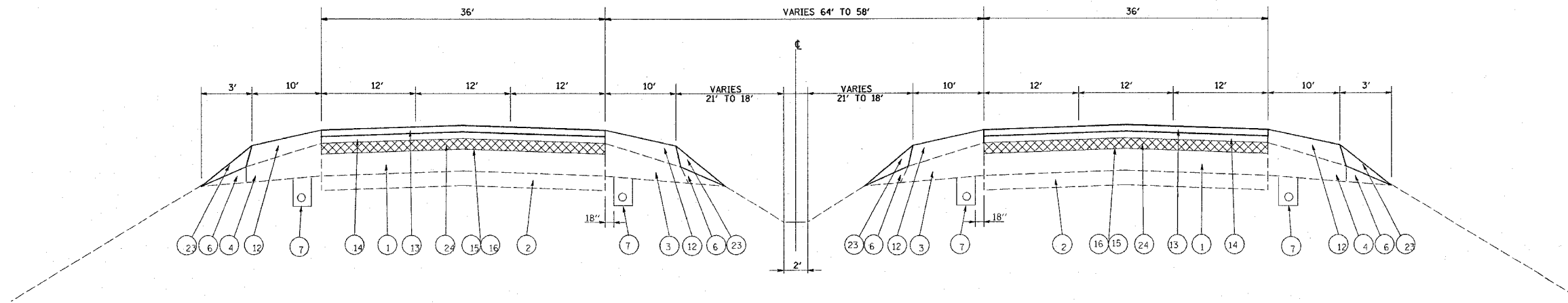
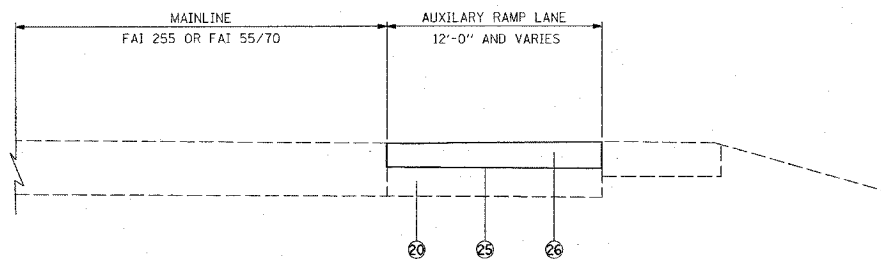


| F.A.I. RTE.                         | SECTION | COUNTY                    | TOTAL SHEETS | SHEET NO. |
|-------------------------------------|---------|---------------------------|--------------|-----------|
| *                                   | **      | MADISON                   | 37           | 10        |
| STA.                                |         | TO STA.                   |              |           |
| FED. ROAD DIST. NO.                 |         | ILLINOIS FED. AID PROJECT |              |           |
| *-255-55/70                         |         |                           |              |           |
| **160-7, 60-9IRS AND 60-(6-1,7-1)RS |         |                           |              |           |



FAI 255  
TYPICAL NORMAL SECTION  
I-255 (NB) STA. 1556+00 TO STA. 1598+00  
I-255 (SB) STA. 1556+00 TO STA. 1614+52



LOCATION #2  
TYPICAL SECTION - RAMP 2  
STA. 760+00 TO STA. 792+00 (RAMP 6)

LEGEND

- ① EXISTING CRPCC PAVEMENT - 10"
- ② EXISTING STABILIZED SUB-BASE - 4"
- ③ EXISTING HOT- MIX ASPHALT SHOULDERS - 9"
- ④ EXISTING HOT- MIX ASPHALT SHOULDERS - 10"
- ⑤ EXISTING HOT- MIX ASPHALT SHOULDERS - 11"
- ⑥ EXISTING AGGREGATE SHOULDERS, TYPE B
- ⑦ EXISTING PIPE UNDERDRAINS
- ⑧ DELETED
- ⑨ EXISTING CRPCC PAVEMENT - 11"
- ⑩ DELETED
- ⑪ EXISTING HOT- MIX ASPHALT RESURFACING - 3"
- ⑫ PROPOSED HOT- MIX ASPHALT SHOULDERS - 3 3/4"
- ⑬ PROPOSED POLYMERIZED HOT-MIX ASPHALT SURFACE COURSE, SMA, NBO - 1 1/2"
- ⑭ PROPOSED POLYMERIZED HOT-MIX ASPHALT BINDER COURSE, SMA, NBO - 2 1/4"
- ⑮ PROPOSED BITUMINOUS MATERIALS - PRIME COAT
- ⑯ PROPOSED AGGREGATE PRIME COAT
- ⑰ DELETED
- ⑱ DELETED
- ⑲ STABILIZED SUB-BASE 4"
- ⑳ EXISTING PCC PAVEMENT 10"
- ㉑ DELETED
- ㉒ DELETED
- ㉓ DELETED
- ㉔ PROPOSED AGGREGATE SHOULDERS TYPE B
- ㉕ PROPOSED PCC SURFACE REM - 1/2"
- ㉖ PROPOSED PARTIAL DEPTH REMOVAL 2"
- ㉗ PROPOSED PARTIAL DEPTH PATCHING
- ㉘ PROPOSED HOT-MIX ASPHALT SURFACE REMOVAL - 1/2"
- ㉙ DELETED

| REVISIONS |      |
|-----------|------|
| NAME      | DATE |
|           |      |
|           |      |
|           |      |
|           |      |
|           |      |
|           |      |
|           |      |
|           |      |
|           |      |
|           |      |

ILLINOIS DEPARTMENT OF TRANSPORTATION  
**TYPICAL SECTIONS**  
**LOCATION #2**  
FAI 255, FAI 55/70  
SECTION (60-7, 60-9)RS &  
60-(6-1,7-1)RS  
MADISON COUNTY  
SCALE: VERT. \_\_\_\_\_  
HORIZ. \_\_\_\_\_  
DATE \_\_\_\_\_ DRAWN BY \_\_\_\_\_  
CHECKED BY \_\_\_\_\_

Rev. Sheet 6-5-07

PLOT DATE= 5/25/2007  
FILE NAME= c:\p\c\proj\sect\stee\08307\g\cadd\pin08307a.dgn  
PLOT SCALE= 50.0000 / IN.  
USER NAME= chadmeske