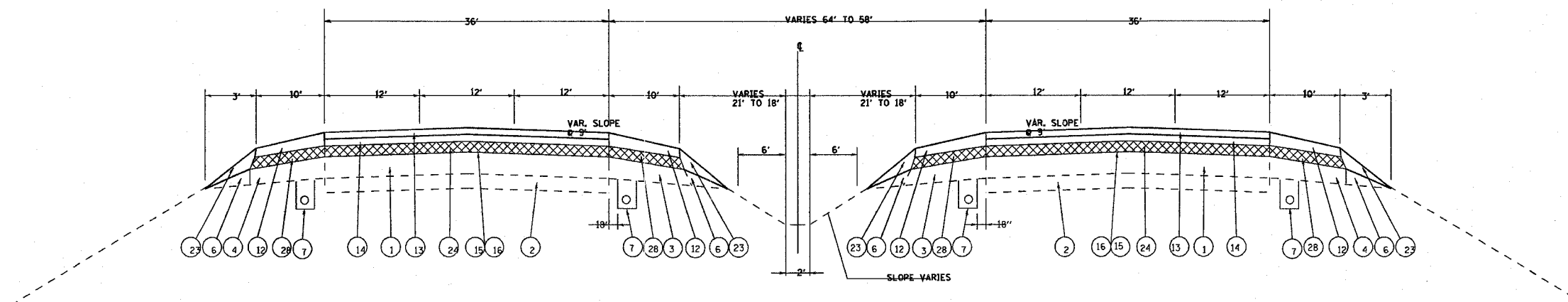


F.A.I. RTE.	SECTION	COUNTY	TOTAL SHEETS	SHEET NO.
•	••	MADISON	37	10

STA.	TO STA.

FED. ROAD DIST. NO. ILLINOIS FED. AID PROJECT
 •-255-55/70
 ••(60-7, 60-9)RS AND 60-16-1,7-1)RS



FAI 255
 TYPICAL NORMAL SECTION
 I-255 (NB) STA. 1556+00 TO STA. 1598+00
 I-255 (SB) STA. 1557+00 TO STA. 1609+00

LEGEND

- ① EXISTING CRPCC PAVEMENT - 10"
- ② EXISTING STABILIZED SUB-BASE - 4"
- ③ EXISTING HOT- MIX ASPHALT SHOULDERS - 9"
- ④ EXISTING HOT- MIX ASPHALT SHOULDERS - 10"
- ⑤ EXISTING HOT- MIX ASPHALT SHOULDERS - 11"
- ⑥ EXISTING AGGREGATE SHOULDERS, TYPE B
- ⑦ EXISTING PIPE UNDERDRAINS
- ⑧ EXISTING BITUMINOUS CURB
- ⑨ EXISTING JRPCC PAVEMENT - 11"
- ⑩ EXISTING TYPE A GUTTER
- ⑪ EXISTING HOT- MIX ASPHALT CONCRETE - 3"
- ⑫ PROPOSED HOT- MIX ASPHALT SHOULDERS - 3 3/4"
- ⑬ PROPOSED POLYMERIZED BCBC SUPER "E" N70 - 1 1/2"
- ⑭ PROPOSED POLYMERIZED BCBC SUPER IL19.0 N70 - 2 1/4"
- ⑮ PROPOSED POLYMERIZED BITUMINOUS MATERIALS - PRIME COAT
- ⑯ PROPOSED AGGREGATE PRIME COAT
- ⑰ EMBANKMENT
- ⑱ SUB-GRADE
- ⑲ STABILIZED SUB-BASE 4"
- ⑳ PCC PAVEMENT 10"
- ㉑ HOT- MIX ASPHALT SHOULDERS 10"
- ㉒ AGGREGATE SHOULDERS TYPE B
- ㉓ PROPOSED AGGREGATE SHOULDERS TYPE B
- ㉔ PCC SURFACE REM (CM) - 1/2"
- ㉕ PCC SURFACE REM (CM) - 2"
- ㉖ HOT MIX ASPHALT SURFACE REMOVAL - 2"
- ㉗ PROPOSED HOT-MIX ASPHALT SHOULDERS - 2"
- ㉘ HOT-MIX ASPHALT SURFACE REMOVAL - 1/2"

LOCATION #2

REVISIONS	
NAME	DATE

ILLINOIS DEPARTMENT OF TRANSPORTATION
 TYPICAL SECTIONS
 LOCATION #2
 FAI 255, FAI 55/70
 SECTION (60-7, 60-9)RS &
 60-16-1,7-1)RS
 MADISON COUNTY
 SCALE: VERT. _____
 DATE _____ HORIZ. _____
 DRAWN BY _____
 CHECKED BY _____