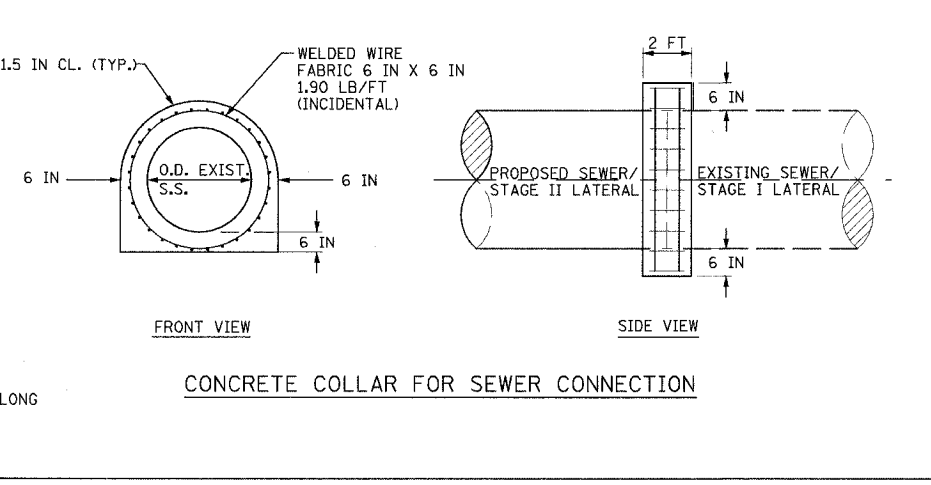
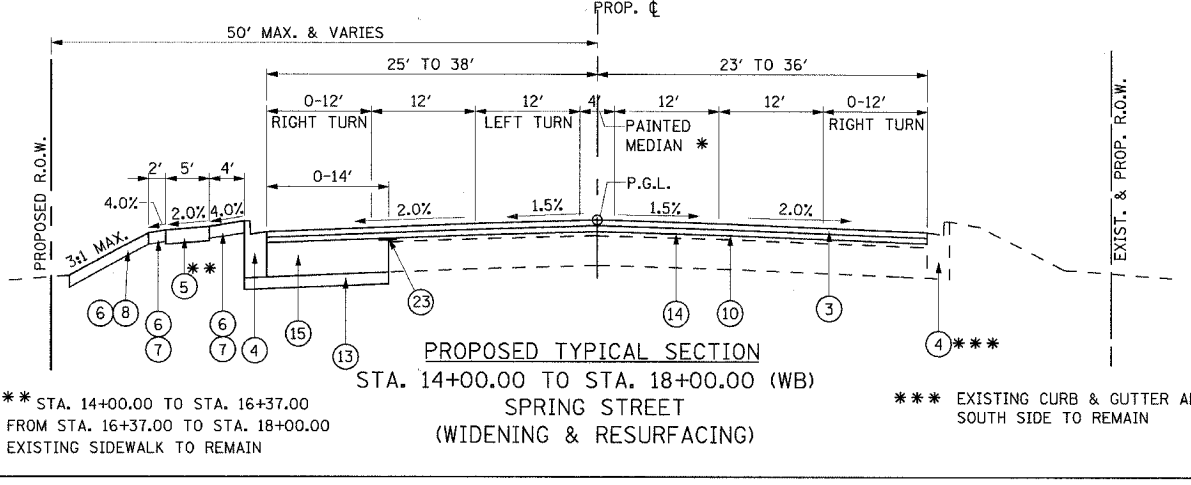
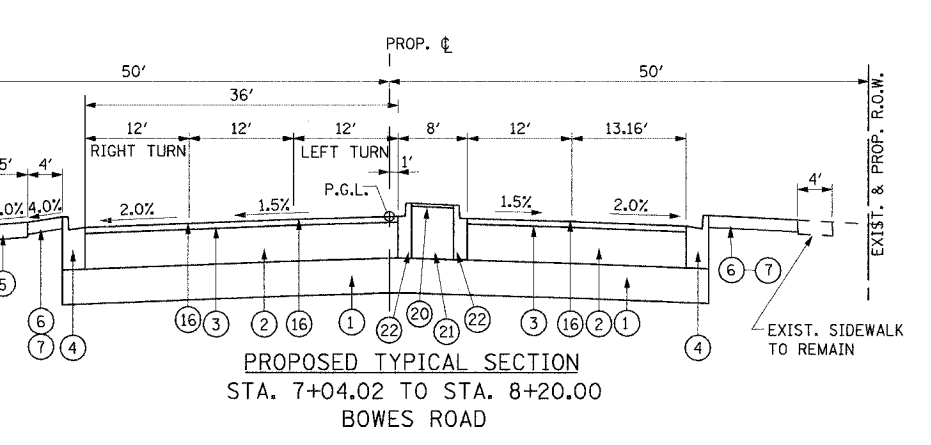
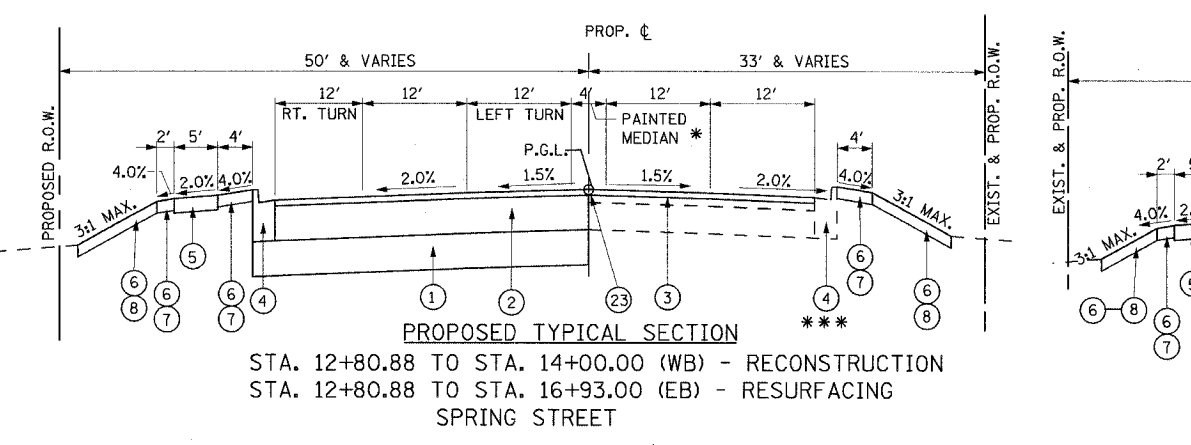
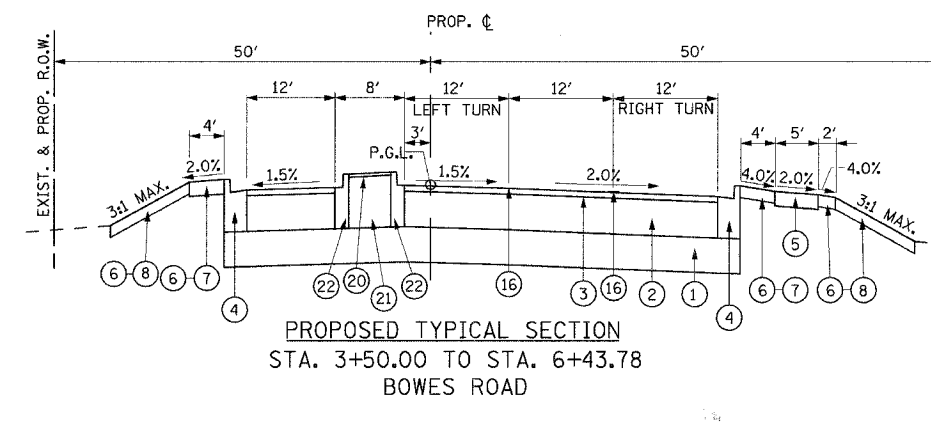
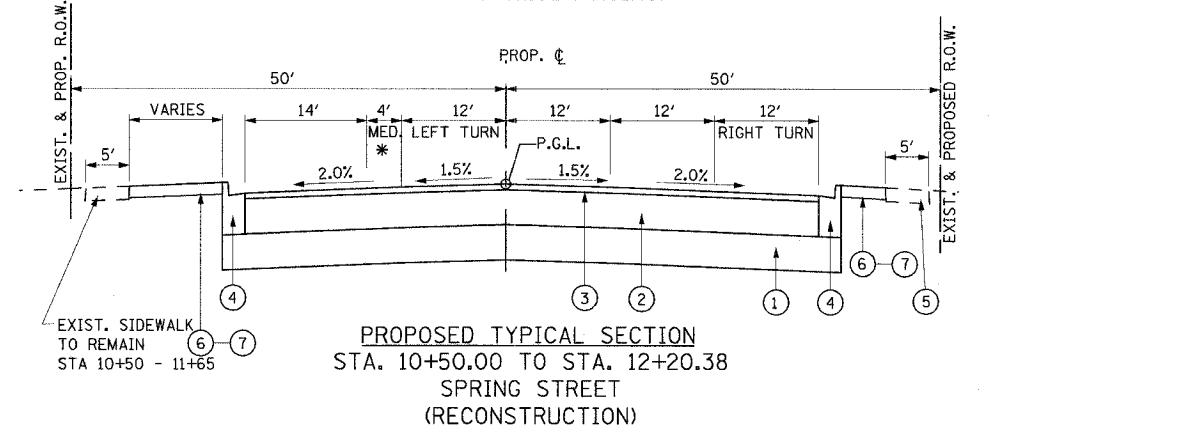
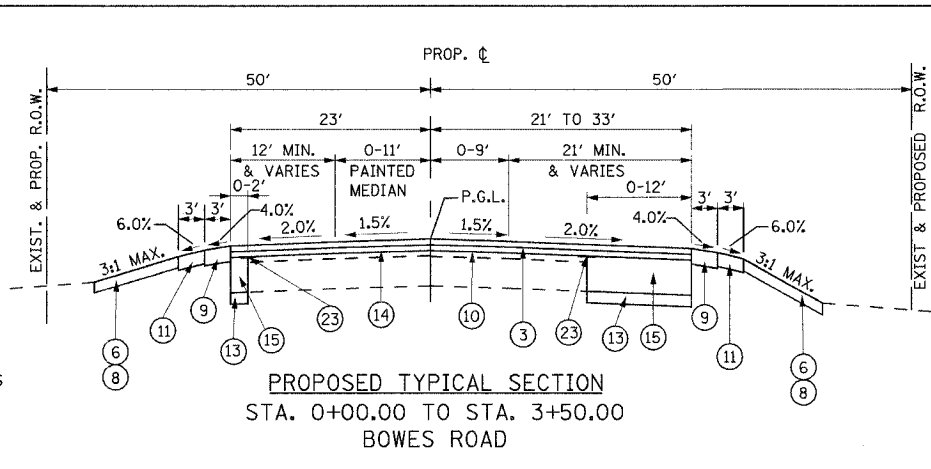
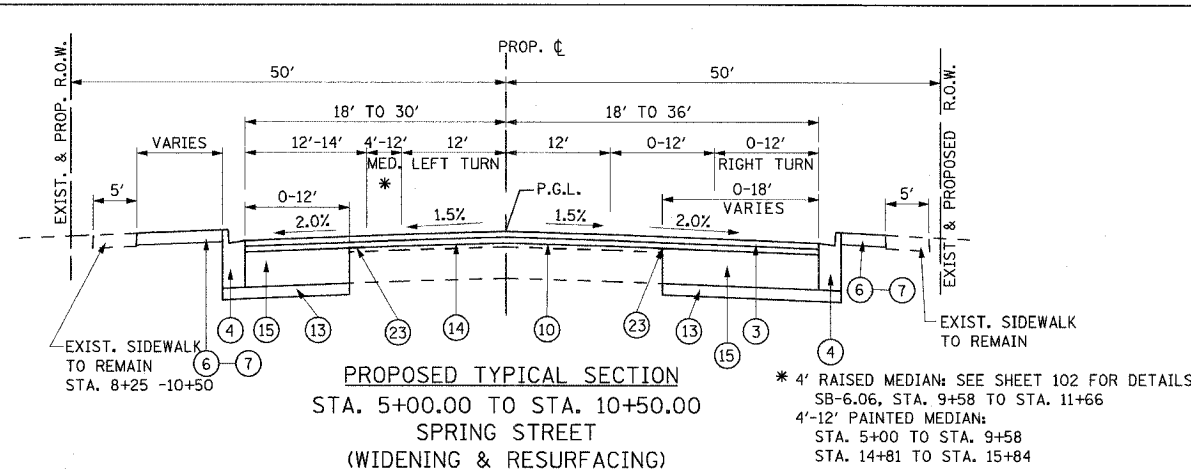


F.A.U. RTE.	SECTION	COUNTY	TOTAL SHEETS	SHEET NO.
2509	96-00094-01-WR	KANE	187	12
STA.		TO STA.		
FED. ROAD DIST. NO.		ILLINOIS FED. AID PROJECT		



- LEGEND (PROPOSED):**
- ① AGGREGATE SUBGRADE 12"
  - ② HOT-MIX ASPHALT BINDER COURSE, IL-19, N70 1 1/4"
  - ③ HOT MIX ASPHALT SURFACE COURSE, MIX "D", N70, 2"
  - ④ COMBINATION CONCRETE CURB AND GUTTER, TYPE B-6.24 (SEE NOTE 2, SHEET NO. 9)
  - ⑤ PORTLAND CEMENT CONCRETE SIDEWALK 5 INCH
  - ⑥ TOP SOIL FURNISH AND PLACE, 4 INCH
  - ⑦ SODDING, SALT TOLERANT
  - ⑧ SEEDING, CLASS 2A
  - ⑨ HOT-MIX ASPHALT SHOULDER, 8"
  - ⑩ HOT-MIX ASPHALT SURFACE REMOVAL (VARIABLE DEPTH).
  - ⑪ AGGREGATE SHOULDERS, TYPE B 6"
  - ⑫ NOT USED
  - ⑬ SUB-BASE GRANULAR MATERIAL, TYPE B, 4"
  - ⑭ HOT-MIX ASPHALT BINDER COURSE, IL-19.0, N70, 2 1/4"
  - ⑮ HOT-MIX ASPHALT BASE COURSE WIDENING, 10"
  - ⑯ POLYUREA PAVEMENT MARKING TYPE-1 4"
  - ⑰ NOT USED
  - ⑱ NOT USED
  - ⑲ NOT USED
  - ⑳ BITUMINOUS MEDIAN SURFACE, 4"
  - ㉑ COARSE AGGREGATE
  - ㉒ COMBINATION CURB AND GUTTER, TYPE B-6.12
  - ㉓ STRIP REFLECTIVE CRACK CONTROL TREATMENT

REVISIONS	
NAME	DATE

**URS** 100 SOUTH WACKER DRIVE  
SUITE 500 CHICAGO, IL 60606  
TEL (312) 939-1000  
FAX (312) 939-4198

**McLEAN BOULEVARD**  
**PROPOSED TYPICAL SECTIONS**  
**SPRING STREET & BOWES ROAD**

SCALE: NONE  
DATE: 04/06/2007  
DRAWN BY: SOI  
CHECKED BY: ...