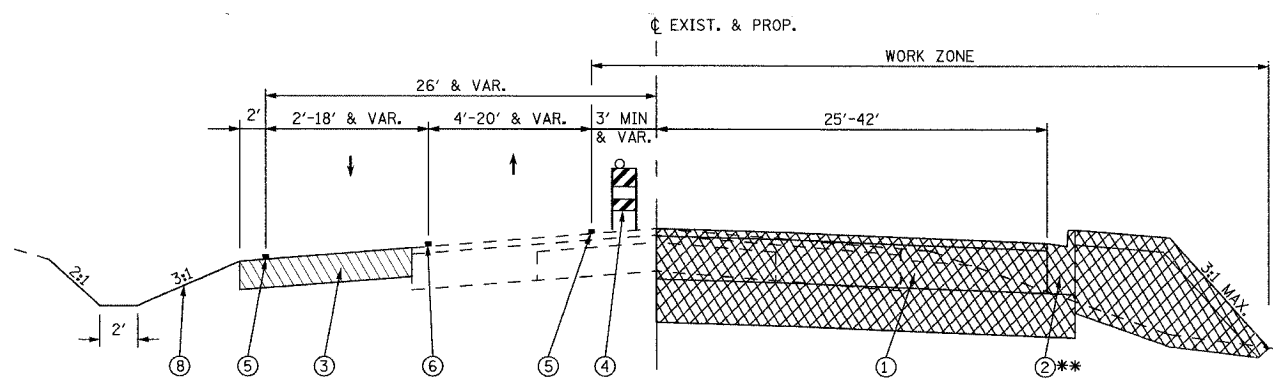
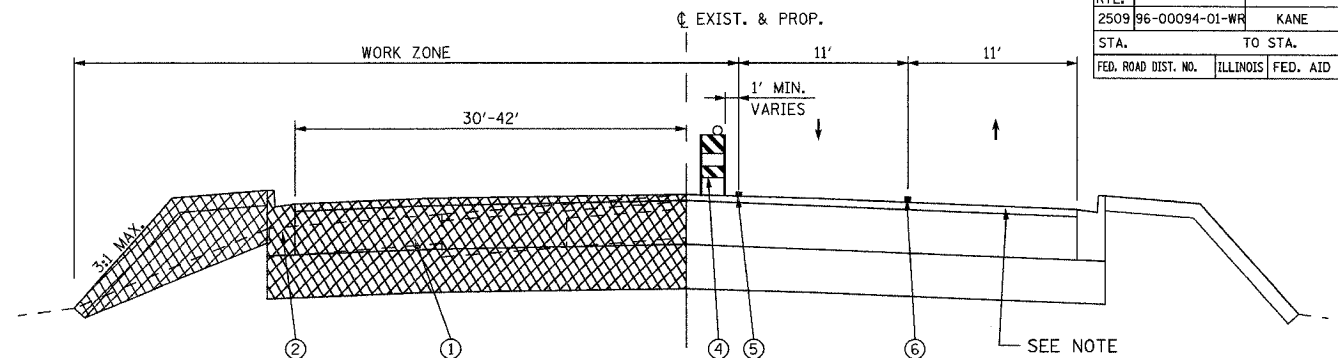


F.A.U. RTE.	SECTION	COUNTY	TOTAL SHEETS	SHEET NO.
2509	96-00094-01-WR	KANE	187	23
STA.		TO STA.		
FED. ROAD DIST. NO.		ILLINOIS FED. AID PROJECT		



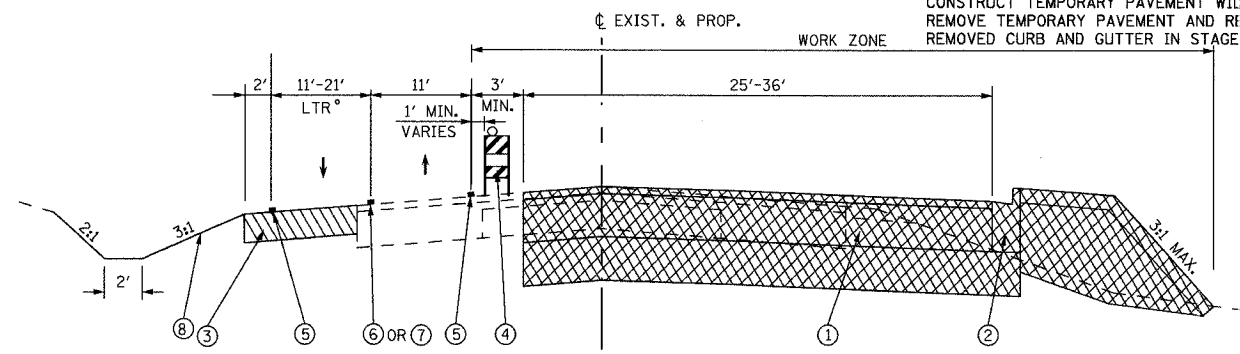
STAGE I
 STA. 33+90.00 TO STA. 41+50*
 STA. 49+45 TO STA. 60+50
 STA. 71+00 TO STA. 79+70
 STA. 87+32 TO STA. 90+00

* FROM STA. 33+90 TO STA. 45+00 PAVEMENT RESURFACING (SEE ROADWAY TYPICAL SECTIONS)
 ** FROM STA. 36+69 TO STA. 38+75 (RT) REMOVE EXIST. CONCRETE C & G (STAGE I). FROM STA. 31+95 TO STA. 38+75 (RT) CONSTRUCT TEMPORARY PAVEMENT WIDENING IN STAGE I. REMOVE TEMPORARY PAVEMENT AND REINSTALL REMOVED CURB AND GUTTER IN STAGE III.



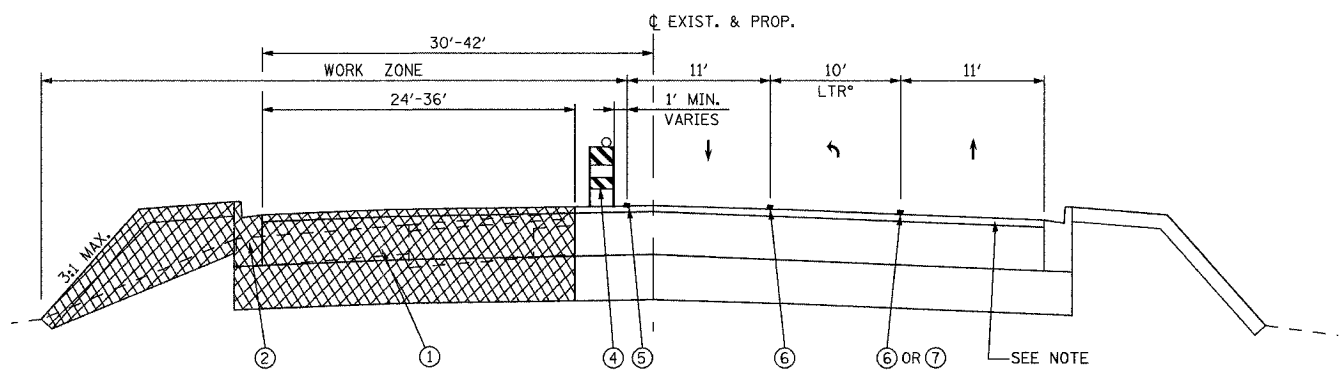
STAGE II
 STA. 31+96 TO STA. 42+07
 STA. 49+45 TO STA. 60+50
 STA. 71+00 TO STA. 79+70
 STA. 87+31 TO STA. 90+00

SEE NOTE



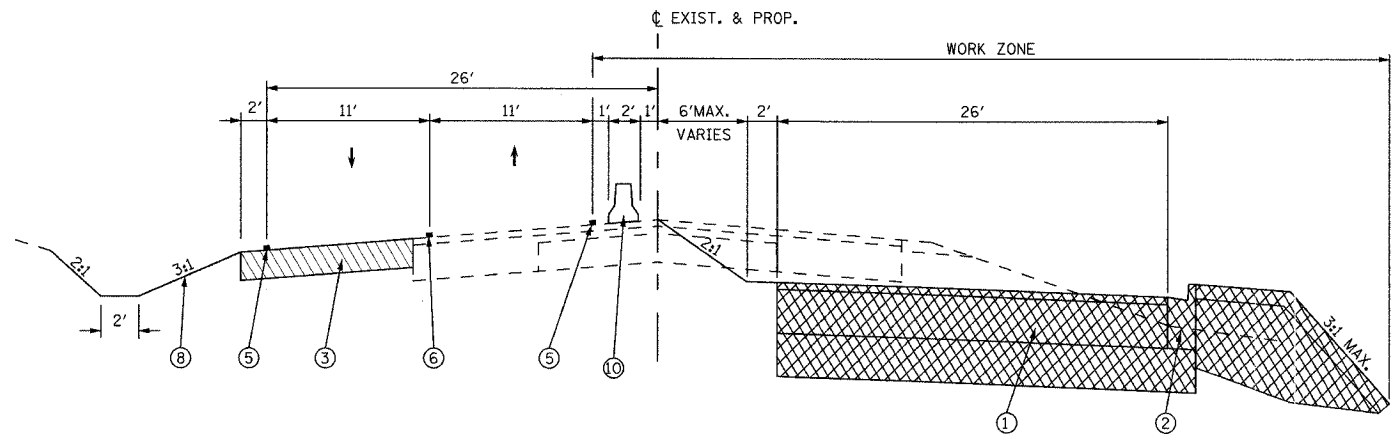
STAGE I
 STA. 41+50 TO STA. 49+45
 STA. 79+70 TO STA. 87+31

* LEFT TURN LANE AT BOWES STREET INTERSECTION ONLY

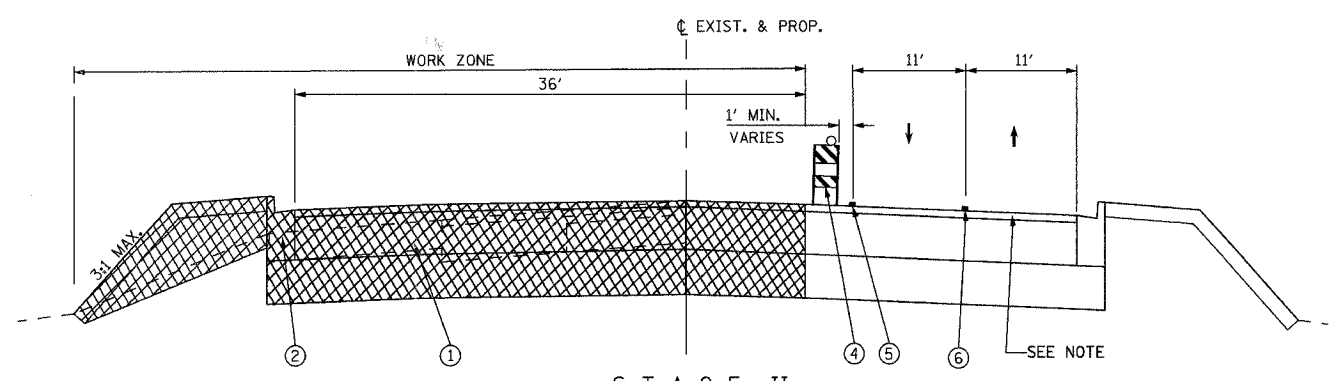


STAGE II
 STA. 41+50 TO STA. 49+45
 STA. 79+70 TO STA. 87+31

SEE NOTE



STAGE I
 STA. 60+50 TO STA. 71+00



STAGE II
 STA. 60+50 TO STA. 71+00

SEE NOTE

NOTE:
 DURING THE STAGES 1, 2 AND 3 BUILD THE PROPOSED PAVEMENT UP TO 1/2" BELOW THE PROPOSED GRADE ELEVATION. AFTER COMPLETION OF STAGE 3 PAVE 1/2" OF BITUMINOUS CONCRETE SURFACE COURSE.

FOR GENERAL NOTES & LEGEND SEE SHEET NO. 22

REVISIONS	
NAME	DATE

URS 100 SOUTH WACKER DRIVE TEL (312) 939-1000
 SUITE 500 CHICAGO, IL 60606 FAX (312) 939-4198

McLEAN BOULEVARD
 SUGGESTED MAINTENANCE OF TRAFFIC TYPICAL SECTIONS

SCALE: DATE 04/06/2007 DRAWN BY CHECKED BY