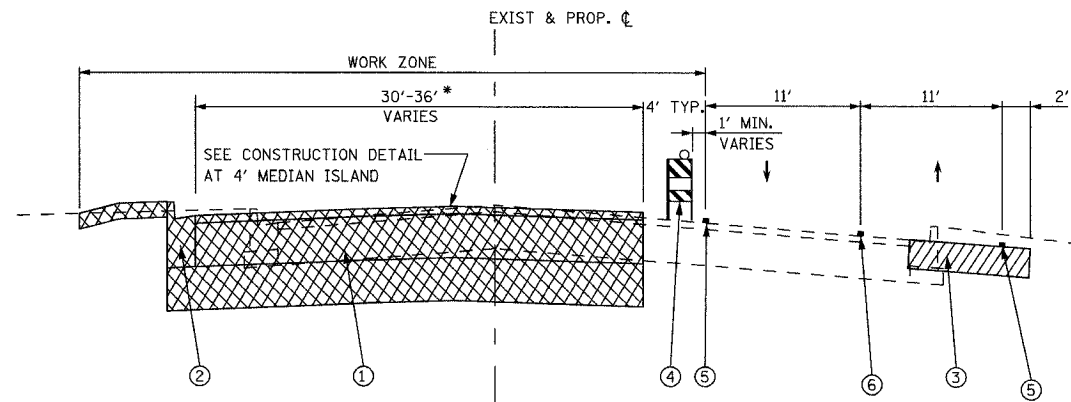


F.A.U. RTE.	SECTION	COUNTY	TOTAL SHEETS	SHEET NO.
2509	96-00094-01-WR	KANE	187	24
STA.		TO STA.		
FED. ROAD DIST. NO.		ILLINOIS FED. AID PROJECT		

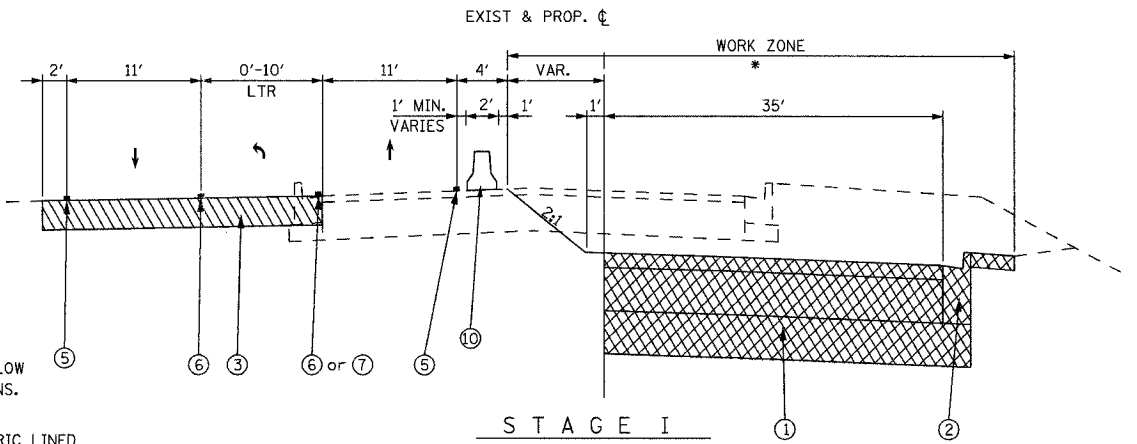


STAGE I
SPRING ST.

- *1 WIDENING AND RESURFACING:
FROM STA 5+00 TO STA 10+50
FROM STA 14+00 TO STA 18+00 (WB)
- 2 RECONSTRUCTION:
FROM STA 10+50 TO STA 12+08
FROM STA 12+80 TO STA 14+00 (WB)
- 3. RESURFACING
FROM STA. 12+80 TO STA. 16+93 (EB)

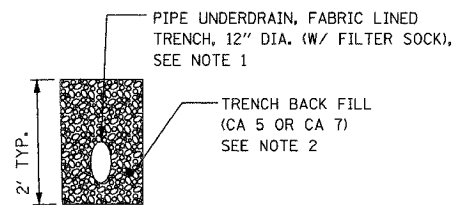
EXIST. SIDEWALK

PIPE UNDERDRAIN, FABRIC LINED TRENCH
12" DIA. (W/ FILTER SOCK), SEE DETAIL BELOW
AND EROSION CONTROL PLANS FOR LOCATIONS.



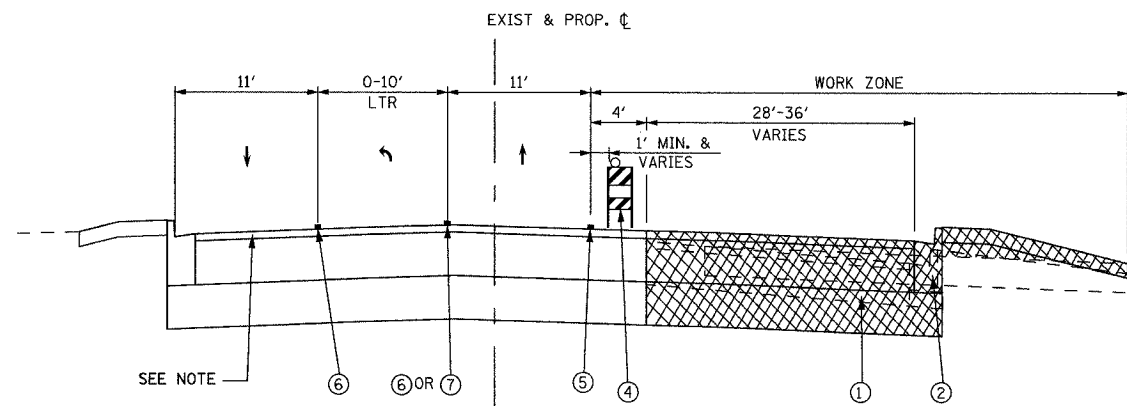
STAGE I
BOWES ROAD (WEST LEG)

- *1 WIDENING AND RESURFACING:
FROM STA. 0+00 TO STA. 3+57
- 2 RECONSTRUCTION:
FROM STA. 3+57 TO STA. 6+14
FROM STA. 7+04 TO STA. 8+20

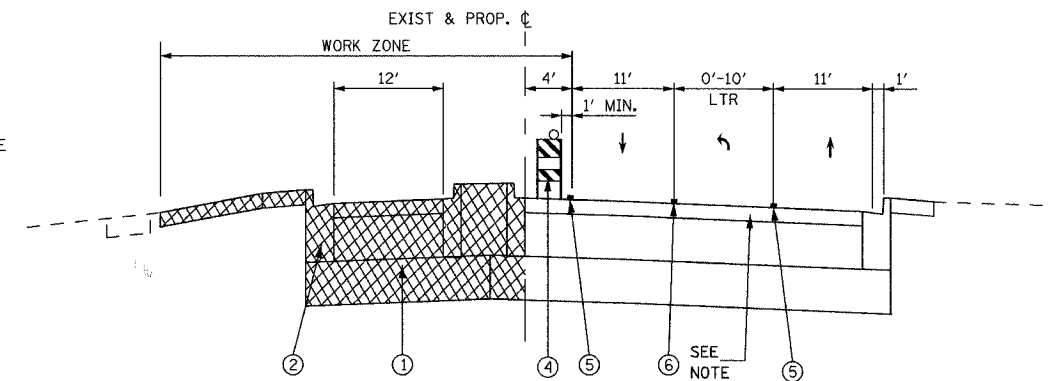


TEMPORARY DRAINAGE DETAIL

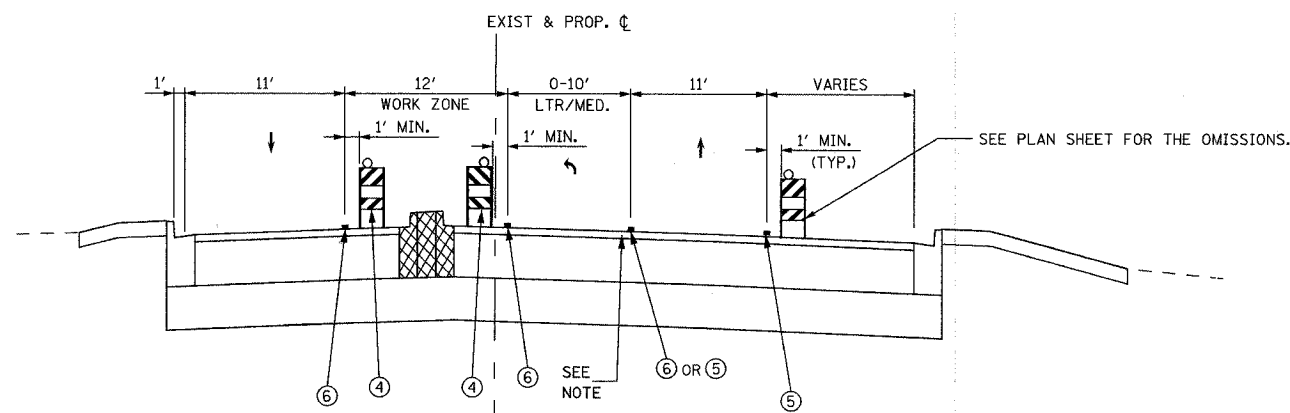
- NOTE:
1. COST OF FURNISHING AND INSTALLING FABRIC ENVELOPE AND FILTER SOCK SHALL BE INCLUDED IN THE CONTRACT UNIT PRICE PER FOOT FOR PIPE UNDERDRAINS, FABRIC LINED TRENCH 12"
 2. PROVIDE MINIMUM 6" COVER AROUND THE PIPE UNDERDRAIN.



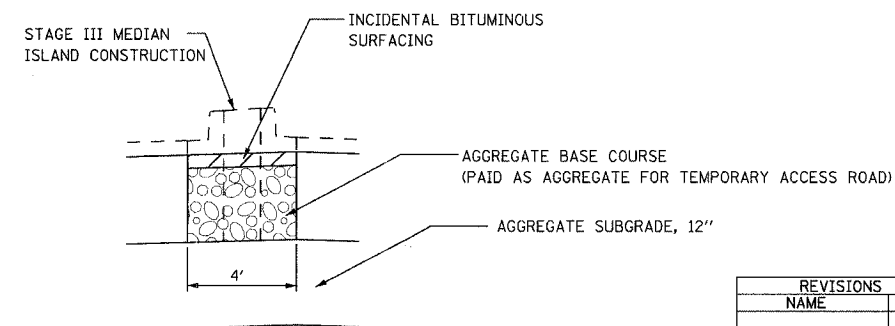
STAGE II
SPRING ST.



STAGE II
BOWES ROAD (WEST LEG)



STAGE III
SPRING ST.



STAGE I CONSTRUCTION DETAIL AT 4-FOOT MEDIAN ISLAND ON SPRING STREET

NOTE:
DURING THE STAGES I, II AND III BUILD THE PROPOSED PAVEMENT UP TO 1/2" BELOW THE PROPOSED GRADE ELEVATION. AFTER COMPLETION OF STAGE III PAVE 1/2" OF HOT-MIX ASPHALT SURFACE COURSE.

URS 100 SOUTH WACKER DRIVE TEL (312) 939-1000
SUITE 500 CHICAGO, IL 60606 FAX (312) 939-4198

McLEAN BOULEVARD
SUGGESTED MAINTENANCE OF TRAFFIC
SPRING STREET AND BOWES ROAD
TYPICAL SECTIONS

REVISIONS	NAME	DATE

SCALE: DATE 04/06/2007 DRAWN BY CHECKED BY