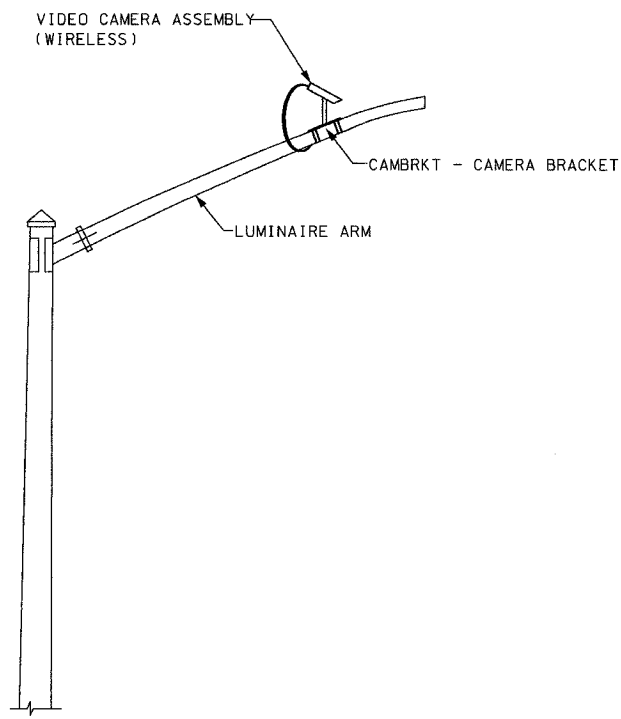
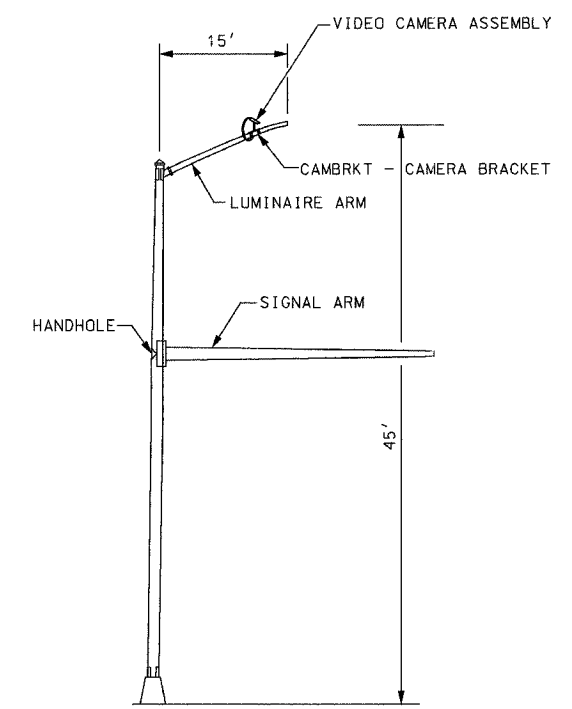


CONTRACT NO. 83737				
F.A.U. RTE.	SECTION	COUNTY	TOTAL SHEETS	SHEET NO.
2509	96-00094-01-WR	KANE	187	120
STA.		TO STA.		
FED. ROAD DIST. NO.	ILLINOIS	FED. AID PROJECT		

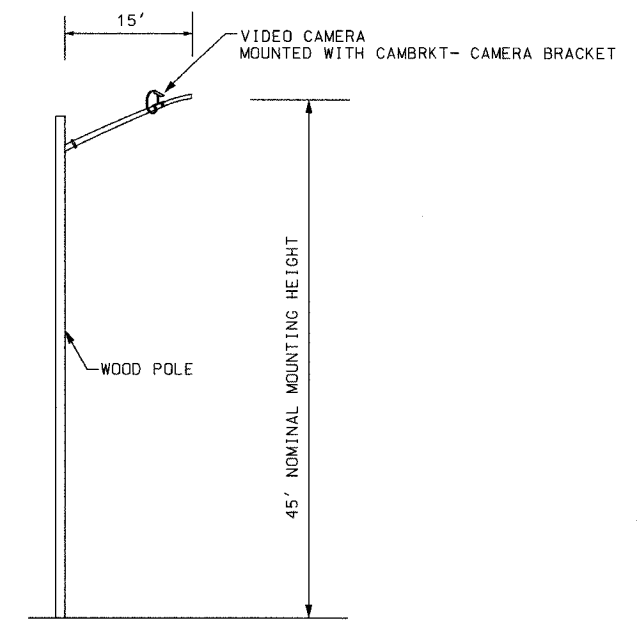


VIDEO VEHICLE DETECTION SYSTEM  
N.T.S.

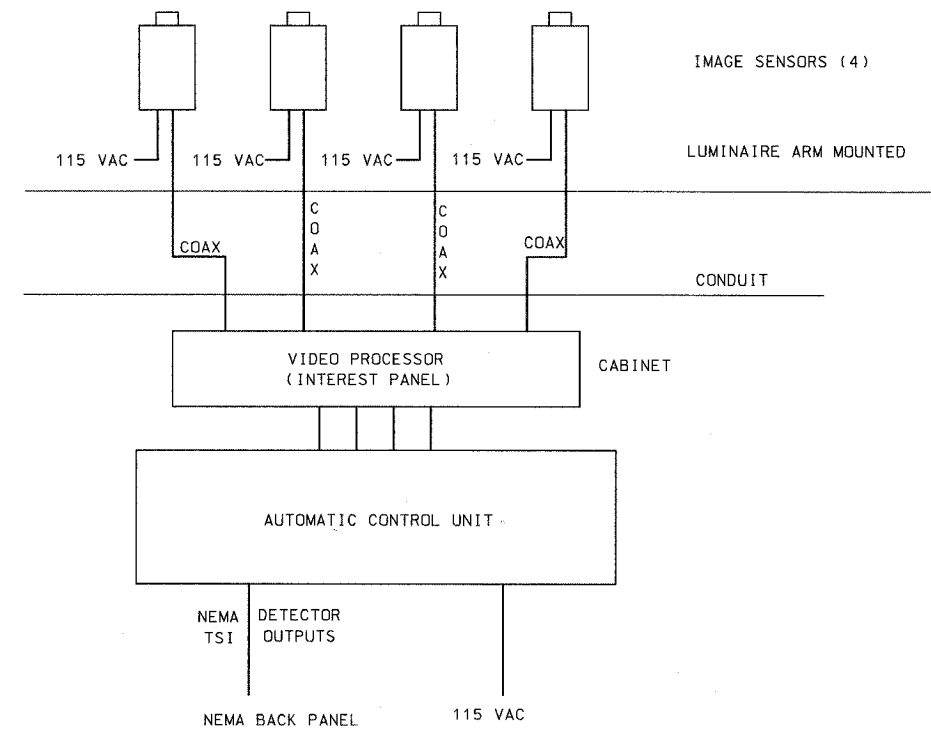
- NOTES:**
1. MOUNT LUMINAIRE MOUNTING BRACKET AS HIGH AS POSSIBLE.
  2. AIM BRACKET TOWARD DIRECTION OF TRAFFIC TO BE DETECTED.
  3. MOUNT VIDEO VEHICLE DETECTOR AIMING DOWN AT 20° ANGLE.
- WARNING:**
1. AIMING THE VIDEO VEHICLE DETECTOR AT DIRECT SUNLIGHT WILL CAUSE PERMANENT DAMAGE TO THE VIDEO VEHICLE DETECTOR.



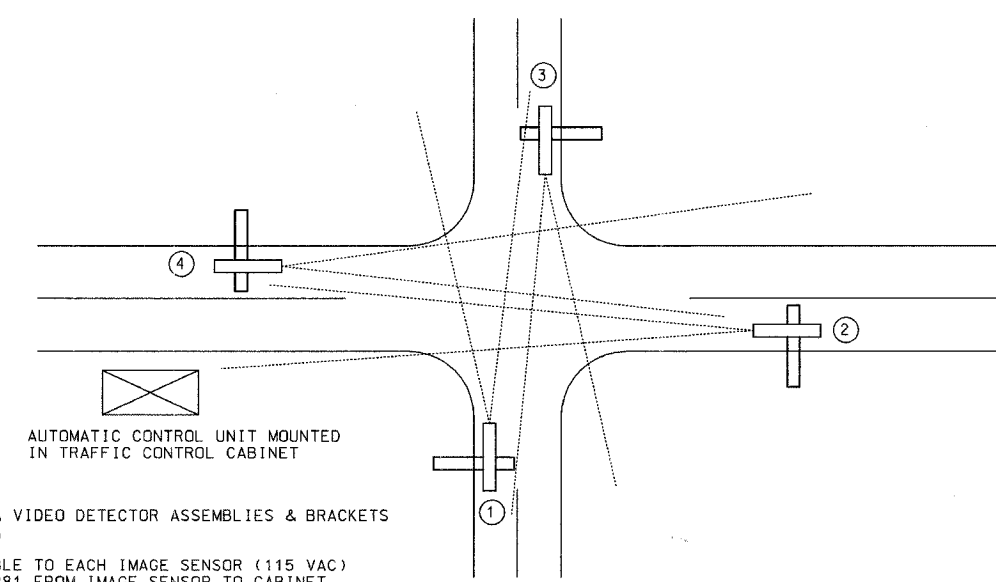
COMBINATION MAST ARM  
LIGHT POLE DETAIL  
N.T.S.



TEMPORARY WOOD POLE DETAIL  
N.T.S.



VIDEO VEHICLE DETECTION SYSTEM  
COMPONENT LAYOUT  
N.T.S.



- (4) WIDE AREA VIDEO DETECTOR ASSEMBLIES & BRACKETS  
①②③④
- POWER CABLE TO EACH IMAGE SENSOR (115 VAC)  
BELDEN 8281 FROM IMAGE SENSOR TO CABINET  
COAXIAL AND POWER CABLE TERMINATIONS  
(SALES REPRESENTATIVE TO ASSIST)

TYPICAL VIDEO VEHICLE DETECTION SYSTEM  
N.T.S.

REVISIONS	
NAME	DATE

**URS** 100 SOUTH WACKER DRIVE  
SUITE 500 TEL (312) 939-1000  
CHICAGO, IL 60606 FAX (312) 939-4198

**MGLEAN BOULEVARD**

**TRAFFIC SIGNAL DETAILS**

SCALE: N.T.S. DRAWN BY: RAM  
DATE: 04/06/2007 CHECKED BY: DDL