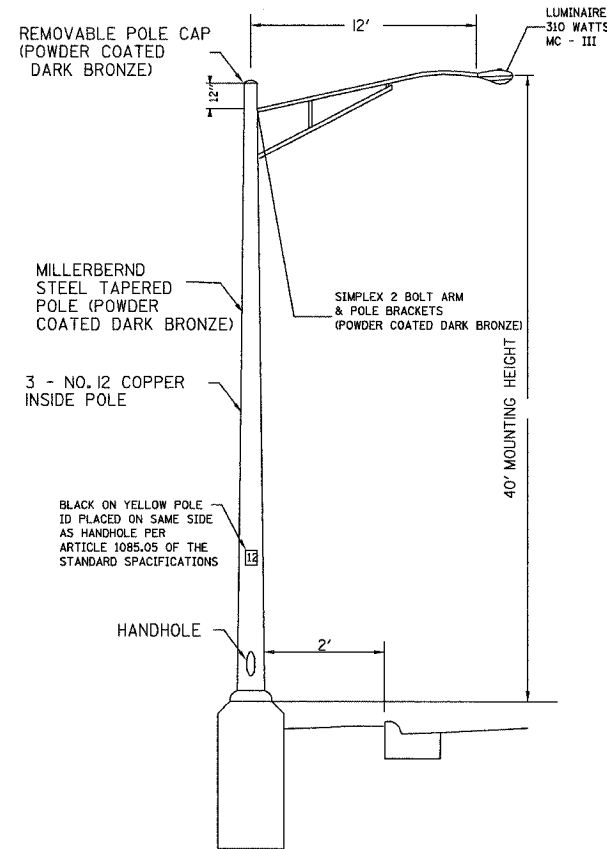


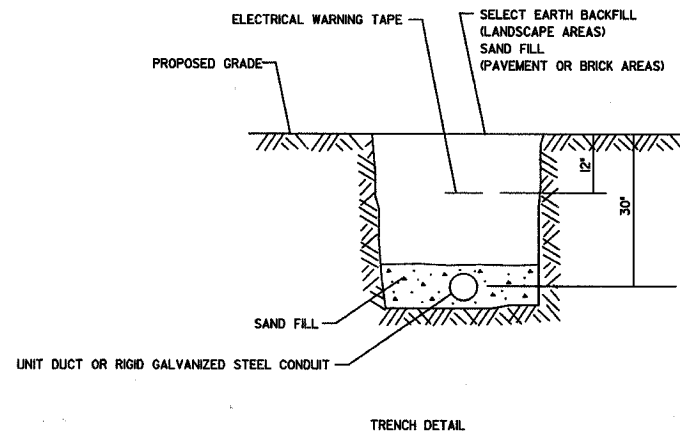
F.A.J. RTE.	SECTION	COUNTY	TOTAL SHEETS	SHEET NO.
2509	96-00094-01-WR	KANE	187	129
STA.		TO STA.		
FED. ROAD DIST. NO.		ILLINOIS FED. AID PROJECT		



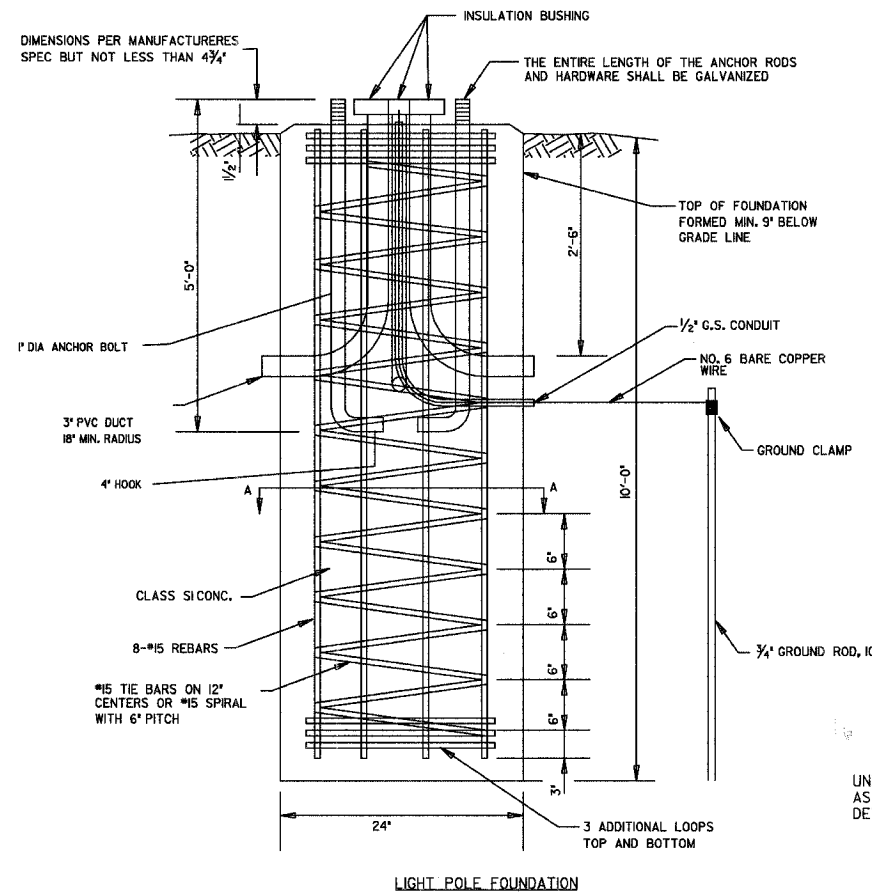
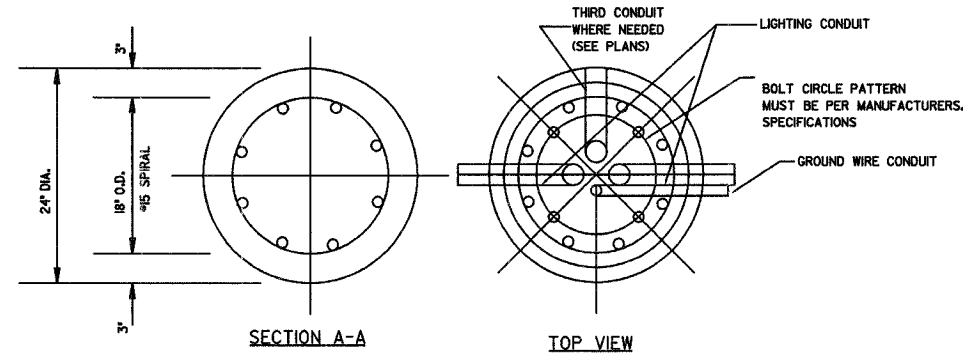
LIGHT POLE DETAIL

NOTES:

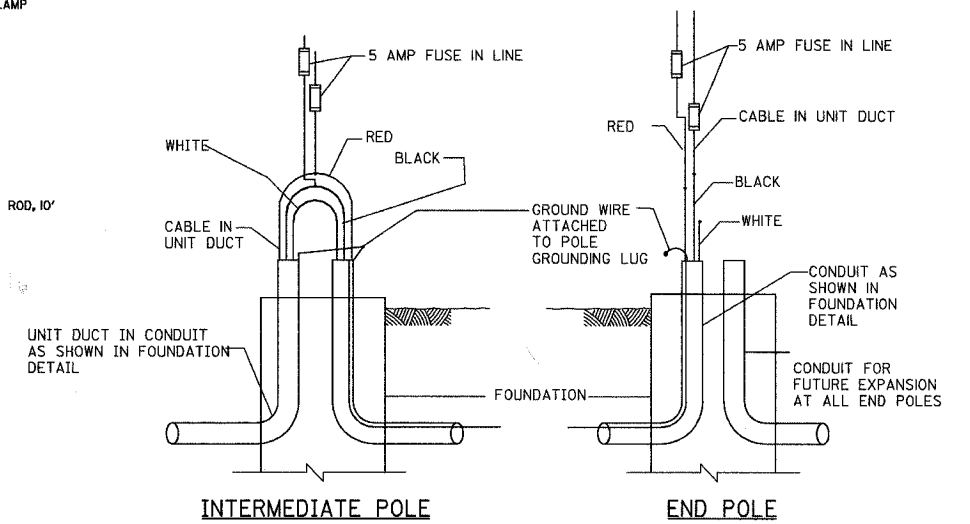
1. HEAT TREATMENT SHALL BE APPLIED AFTER WELDING.
2. DESIGN SHALL CONFORM WITH A.A.S.H.T.O.'S "STANDARD SPECIFICATIONS FOR STRUCTURAL SUPPORTS FOR HIGHWAY SIGNS, LUMINARIES AND TRAFFIC SIGNALS" FOR 80 MILE/HOUR WIND SPEEDS.
3. BASE OF POLE SHALL BE COATED WITH BITUMINOUS PAINT.
4. THE LIGHT POLES SHALL HAVE BOLT COVERS AND SKIRTS.
5. THE FINISH SHALL BE POWDER COATED "DARK BRONZE" FOR POLE CAP, ARM & POLE BRACKETS, BASE PLATE AND SKIRT.
6. SEE TRAFFIC SIGNAL DETAILS FOR VIDEO VEHICLE DETECTION CAMERA MOUNTING ON LUMINAIRE MAST ARM.



TRENCH DETAIL



LIGHT POLE FOUNDATION



INTERMEDIATE POLE

END POLE

WIRING DETAIL

REVISIONS	
NAME	DATE

URS 100 SOUTH WACKER DRIVE SUITE 500 CHICAGO, IL 60606 TEL (312) 939-1000 FAX (312) 939-4198

McLEAN BOULEVARD
LIGHTING DETAILS

SCALE:
DATE 04/06/2007

DRAWN BY
CHECKED BY