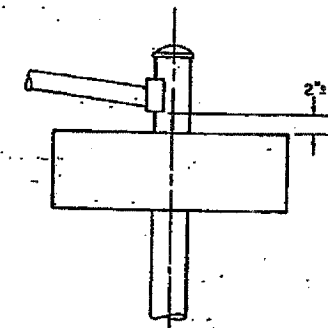
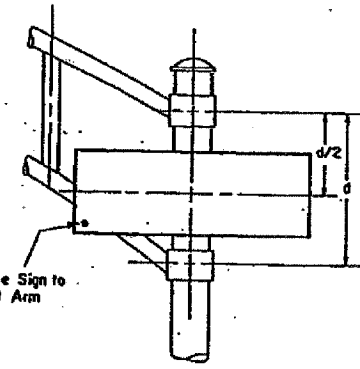


SIGNIFIX ALUMINUM CHANNEL FRAMING SYSTEM shall be used. See Note # 5.



SINGLE ARM



DUAL ARM

- GENERAL NOTES**
- WHERE MAST ARM MOUNTED STREET NAME SIGNS ARE SPECIFIED, THE MAST ARM ASSEMBLY AND POLES SHALL BE DESIGNED TO SUPPORT THE LOADINGS CALLED FOR ON STANDARDS 2374 THROUGH 2377, AS APPLICABLE, PLUS A 2'-6" BY 6'-0" SIGN PANEL MOUNTED AS SHOWN. THE DESIGN SHALL BE IN ACCORDANCE WITH THE REQUIREMENTS OF THE CURRENT "STANDARD SPECIFICATIONS FOR STRUCTURAL SUPPORTS FOR HIGHWAY SIGNS, LUMINAIRES, AND TRAFFIC SIGNALS" AS PUBLISHED BY THE AMERICAN ASSOCIATION OF STATE HIGHWAY AND TRANSPORTATION OFFICIALS FOR 80 M.P.H. WIND VELOCITY.
  - ALL SIGNS SHALL HAVE A WHITE REFLECTORIZED LEGEND AND BORDER ON A GREEN REFLECTORIZED BACKGROUND, TYPE A SHEETING.
  - THE SIGN LENGTH SHOULD BE INCREASED IN 6-INCH INCREMENTS, BUT THE OVERALL LENGTH SHOULD NOT EXCEED 6'-0".
  - ALL BORDERS SHALL BE .314" WIDE AND CORNER RADIUS SHALL BE 2-1/4".
  - SIGNIFIX ALUMINUM CHANNEL FRAMING SYSTEM SHALL BE USED FOR ALL SIGNS ATTACHED TO SIGNAL POLES AND POSTS. LOCAL SUPPLIERS OF THE SIGNIFIX ALUMINUM CHANNEL FRAMING SYSTEM ARE:
 

A.K.T. CORPORATION	AMERICAN FABRICATION CO.
SCHAUMBURG, IL	CHICAGO HEIGHTS, IL
TUCKER COMPANY, INC.	WESTERN TRAFFIC CONTROL INC.
WANNATONA, MI	CEDER, IL
- PARTS LISTING:**
- |              |   |
|--------------|---|
| SIGN CHANNEL | PART #PH033 (MED. CHANNEL)                    |
| SIGN SCREWS  | 1 1/4" X 1/4 X 1" H.W.H. #3                   |
| BRACKETS     | SELF TAPPING WITH NEOPRENE WASHER             |
|              | PART #PH034 (UNIVERSAL)                       |
|              | CHANNEL CLAMPS WITH STAINLESS STEEL STRAPPING |
- OTHER BRANDS OF MOUNTING HARDWARE ARE ACCEPTABLE, BASED UPON THE DEPARTMENT'S APPROVAL AND COMPATIBILITY WITH THE CHANNEL/BRACKET OF THE ABOVE PRODUCT.

Upper Case To Lower Case  
Spacing Chart 8-6 Inch Series "C & D"

FIRST LETTER	SECOND LETTER															
	acde		bhikl		fw		j		st		vy		x z			
	g	o	q	m	n	p	r	u	v	w	y	x	z			
A W X	12	14	14	15	12	14	06	10	11	14	06	10	11	12	12	14
B	14	15	20	21	14	15	11	12	14	15	12	14	12	14	16	17
C E G	14	15	20	21	12	14	06	10	12	14	12	14	14	15	14	15
D O Q R	14	15	20	21	14	15	06	10	12	14	12	14	14	15	14	15
F	05	06	14	15	06	10	05	06	10	06	10	06	10	11	12	
H I M N	20	21	22	24	20	21	14	15	16	17	16	17	20	21	20	21
J U	20	21	20	21	16	17	14	15	16	17	16	17	16	17	20	21
K L	11	12	16	17	11	12	05	06	11	12	11	12	11	12	12	14
P	12	14	14	15	12	14	05	06	11	12	11	12	12	14	12	14
S	12	14	16	17	12	14	06	10	12	14	12	14	12	14	12	14
T	11	12	16	17	06	10	06	10	11	12	11	12	11	12	12	14
V	06	10	14	15	11	12	06	10	12	14	12	14	12	14	12	14
Y	06	06	14	15	06	10	05	06	05	07	05	06	05	06	10	12
Z	16	17	22	24	16	17	12	14	16	17	16	17	16	17	20	21

Lower Case To Lower Case  
Spacing Chart 6 Inch Series "C & D"

FIRST LETTER	SECOND LETTER															
	acde		bhikl		fw		j		st		vy		x z			
	g	o	q	m	n	p	r	u	v	w	y	x	z			
ad h g i j	16	17	22	24	16	17	12	14	14	15	14	15	16	17	16	17
l m n q u																
b f k o p s	12	14	16	17	11	12	05	06	11	12	11	12	12	14	12	14
c e	12	14	16	17	12	14	06	10	12	14	12	14	12	14	12	14
r	06	10	12	14	06	10	03	05	06	05	06	06	10	06	10	
t z	12	14	16	17	12	14	06	10	11	12	11	12	12	14	12	14
v y	11	12	14	15	11	12	05	06	06	10	05	10	11	12	11	12
w	11	12	14	15	11	12	05	06	11	12	11	12	11	12	12	14
x	12	14	16	17	11	12	05	06	11	12	11	12	11	12	12	14

Number To Number  
Spacing Chart 8 Inch Series "C & D"

FIRST NUMBER	SECOND NUMBER																			
	0		1		2		3		4		5		6		7		8		9	
	C	D	C	D	C	D	C	D	C	D	C	D	C	D	C	D	C	D	C	D
0 9	16	17	16	17	14	15	12	14	14	15	14	15	16	17	12	14	16	17	16	17
1	20	21	20	21	16	17	14	15	20	21	20	21	14	15	20	21	20	21		
2 3 4	14	15	14	15	14	15	12	14	12	14	14	15	14	15	11	12	16	17	14	15
5	14	15	14	15	14	15	11	12	11	12	14	15	14	15	11	12	14	15	14	15
6	16	17	14	15	14	15	12	14	14	15	14	15	11	12	14	15	14	15		
7	12	14	12	14	14	15	12	14	05	06	12	14	14	15	11	12	14	15	12	14
8	16	17	16	17	14	15	12	14	14	15	14	15	16	17	12	14	16	17	14	15

UPPER AND LOWER CASE LETTER WIDTHS

LETTERS	6 INCH UPPER CASE LETTERS				8 INCH UPPER CASE LETTERS				6 INCH LOWER CASE LETTERS			
	SERIES C		SERIES D		SERIES C		SERIES D		SERIES C		SERIES D	
	C	D	C	D	C	D	C	D	C	D	C	D
A	36	50	50	65	a	35	42					
B	32	40	43	53	b	35	42					
C	32	40	43	53	c	35	41					
D	32	40	43	53	d	35	42					
E	30	35	40	47	e	35	42					
F	30	35	40	47	f	23	26					
G	32	40	43	53	g	35	42					
H	32	40	43	53	h	35	42					
I	07	07	11	12	i	11	11					
J	30	36	40	50	j	20	22					
K	32	41	43	54	k	35	42					
L	30	35	40	47	l	11	11					
M	37	45	51	61	m	60	70					
N	32	40	43	53	n	35	42					
O	34	42	45	55	o	36	43					
P	32	40	43	53	p	35	42					
Q	34	42	45	55	q	35	42					
R	32	40	43	53	r	26	32					
S	32	40	43	53	s	36	42					
T	30	35	40	47	t	27	32					
U	32	40	43	53	u	35	42					
V	35	45	47	50	v	42	47					
W	44	52	60	70	w	65	64					
X	34	40	45	53	x	44	51					
Y	35	50	50	66	y	46	53					
Z	32	40	43	53	z	36	43					

NUMBER	6 INCH SERIES		8 INCH SERIES	
	C	D	C	D
1	12	14	15	20
2	32	40	43	53
3	32	40	43	53
4	35	43	47	57
5	32	40	43	53
6	32	40	43	53
7	32	40	43	53
8	32	40	43	53
9	32	40	43	53
0	34	42	45	55

Illinois Department of Transportation  
DISTRICT I  
**MAST ARM MOUNTED STREET NAME SIGNS**

REVISIONS	
NAME	DATE

SCALE: VERT. NONE HORIZ. NONE  
DATE:                      DRAWN BY:                      CHECKED BY: