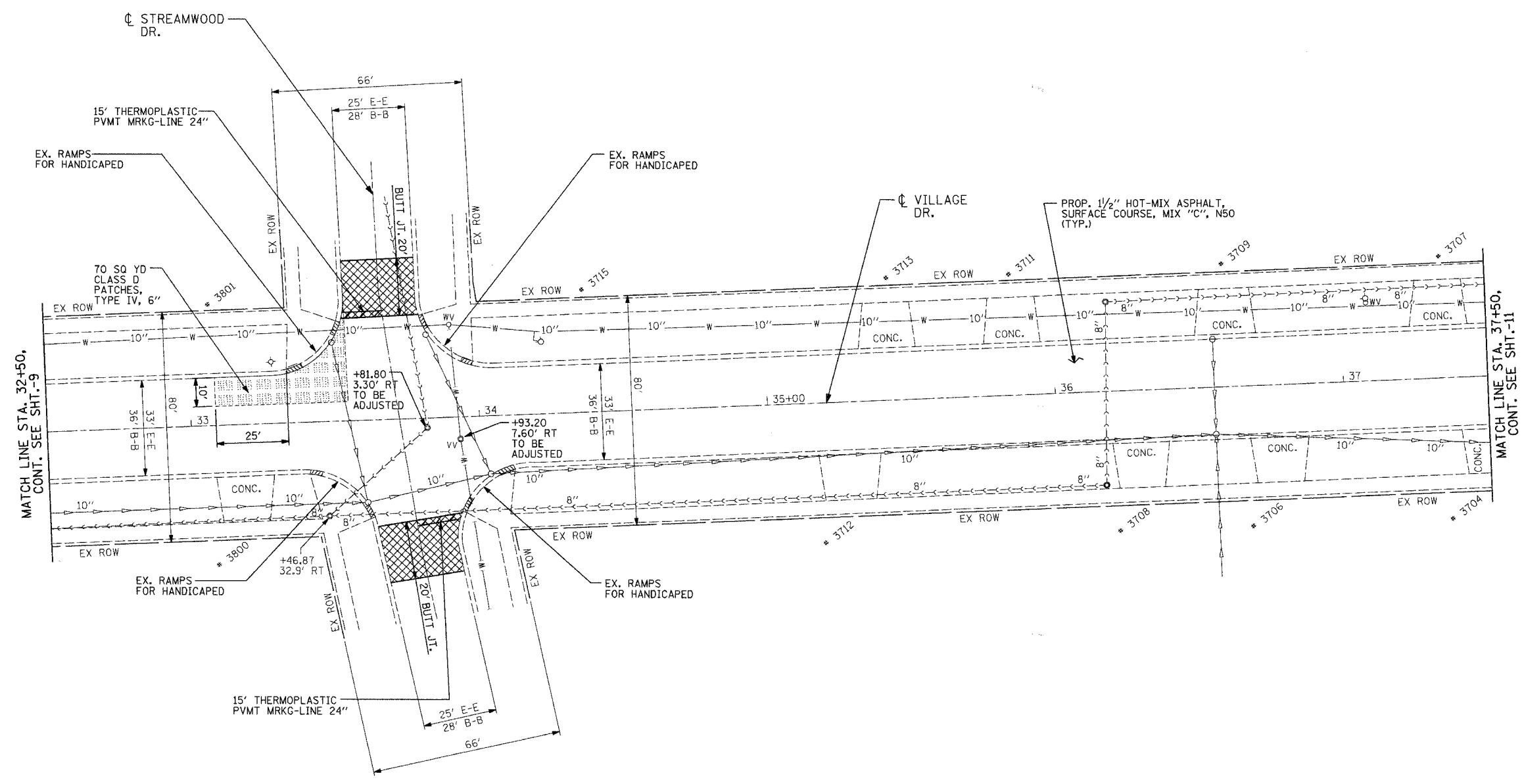
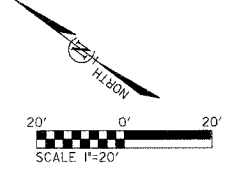


F.A. RTE.	SECTION	COUNTY	TOTAL SHEETS	SHEET NO.
1681		COOK	19	10
STA. 32+50.00		TO STA. 37+50.00		
FED. ROAD DIST. NO.		ILLINOIS		
• 06-00068-00-RS				



MATCH LINE STA. 32+50.00  
CONT. SEE SHT.-9

MATCH LINE STA. 37+50.00  
CONT. SEE SHT.-11

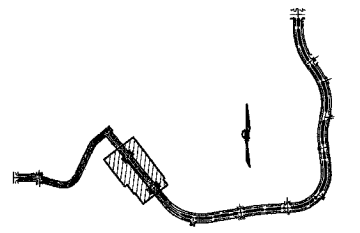
**EXISTING LEGEND:**

—○—	- STORM SEWER	WVO	- WATER VALVE
->->->	- SANITARY SEWER	VVO	- VALVE VAULT
—W—	- WATER LINE	⊕	- FIRE HYDRANT
—G—	- GAS LINE	GV	- GAS VALVE
—T—	- TELEPHONE LINE	□	- GAS VAULT
—E—	- COMED LINE	⊗	- LIGHT POLE
—CTV—	- CABLE LINE	⊕	- POWER POLE
○	- CATCH BASIN	↑	- GUY
●	- MANHOLE		
■	- INLET		

**NOTE:**  
THE REPLACEMENT CURB & GUTTER SHALL BE CONSTRUCTED IN ACCORDANCE WITH SEC. 606 OF THE STANDARD SPECIFICATIONS, CONFORM WITH IDOT HIGHWAY STANDARD \*606001, AND BE OF THE TYPE AND DIMENSIONS OF THAT EXISTING AT EACH LOCATION, EXCEPT THAT A DEPRESSED CURB SECTION SHALL BE CONSTRUCTED AT SIDEWALK.

CIVIL / STRUCTURAL ENGINEERS  
**GLOBETROTTERS INTERNATIONAL.**  
300 SOUTH WACKER DRIVE, SUITE 200  
CHICAGO, IL. 60606

REVISIONS	
NAME	DATE
IDOT COMMENTS	02/14/07
IDOT COMMENTS	03/12/07



**KEY PLAN**  
MFT 06-00068-00-RS  
VILLAGE DRIVE  
EDGEWATER DR. TO 183rd STR.  
HAZEL CREST, IL  
PROJECT NO. 05726

SCALE: VERT. NONE  
HORIZ. 1" = 20'  
DATE 03/09/2007  
DRAWN BY LS  
CHECKED BY CT

PLOT DATE = 03/09/2007  
PLOT SCALE = 1/8" = 1'-0"  
PLOT SIZE = 24.0000" x 36.0000" IN.  
SHEET SIZE = 36x24 (IN.)