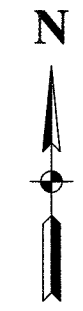
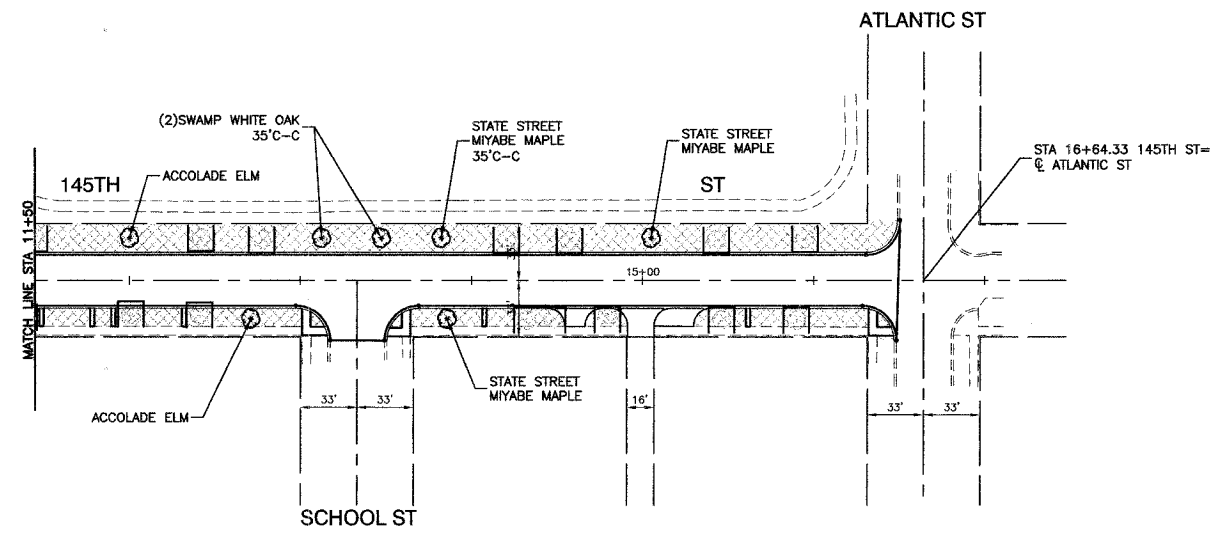
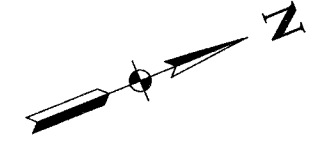
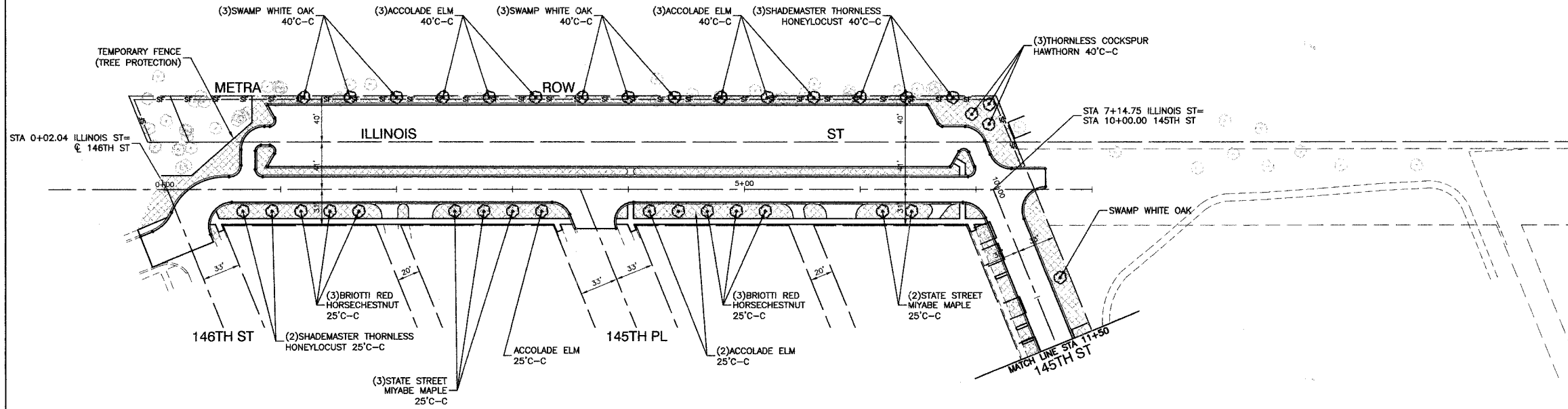


SECTION 4, TOWNSHIP 36, RANGE 14

F. A. L. NO.	SECTION	COUNTY	TOTAL SHEETS	SHEET NO.
03-00108-00-PK	COOK	025	016	
STA.	TO STA.			
FED. ROAD DIST. NO.	ILLINOIS	FED. AID PROJECT		

CONTRACT NO. 83912



KEY	ITEM NAME
—SF—SF—	SEDIMENT CONTROL, SILT FENCE
[Symbol]	TOPSOIL, FURNISH AND PLACE, 4" SODDING, SALT TOLERANT
[Symbol]	TEMPORARY FENCE (TREE PROTECTION)

REVISIONS	
NAME	DATE

ILLINOIS DEPARTMENT OF TRANSPORTATION

**COMMUTER PARKING
LANDSCAPING AND
TREE PROTECTION PLAN**

SCALE: VERT. 1"=50'
DATE: 2/22/07

DRAWN BY: AG/RG
CHECKED BY: PKB

ROBINSON ENGINEERING, LTD.
17000 SOUTH PARK AVENUE, SOUTH HOLLAND, ILLINOIS 60473
(708) 321-6100 FAX (708) 321-1000
ILLINOIS DESIGN FIRM REGISTRATION NO. 104001125 04185-LNSC-01