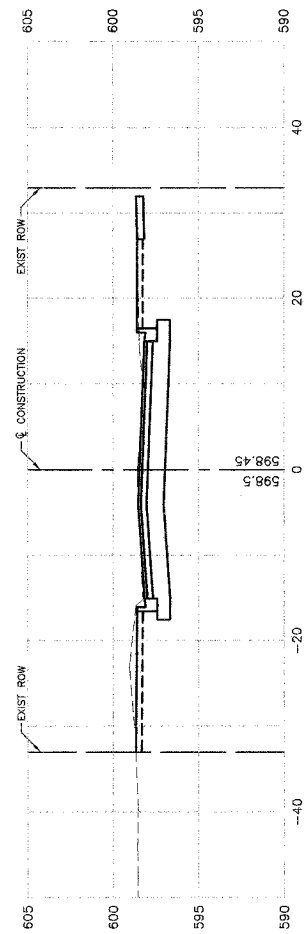
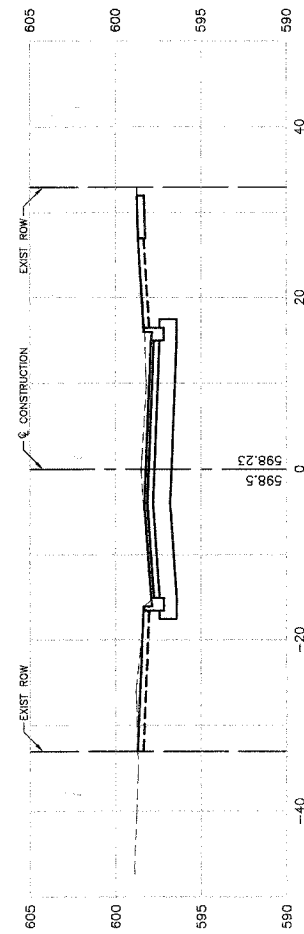


F. A. U. SHEET	SECTION	COUNTY	TOTAL SHEETS	SHEET NO.
	03-00108-00-PK	COOK	025	023
STA.	TO STA.			
FED. ROAD DIST. NO.	ILLINOIS	FED. AID PROJECT		

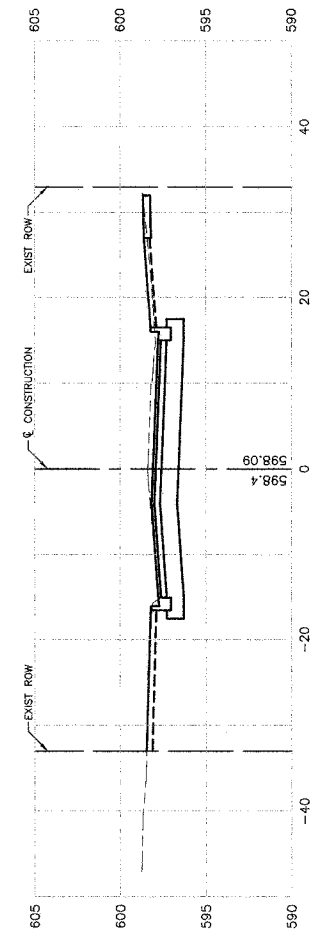
CONTRACT NO. 83912



16+00
CUT=70
FILL=2



15+50
CUT=70
FILL=1



15+00
CUT=67
FILL=1

REVISIONS	
NAME	DATE

ILLINOIS DEPARTMENT OF TRANSPORTATION
**COMMUTER PARKING
 145TH STREET
 CROSS SECTIONS
 STA 15+00 TO STA 16+00**
 SCALE: VERT. 1"=5'
 HORIZ. 1"=10'
 DATE 2/22/07
 DRAWN BY AG/RG
 CHECKED BY PKB