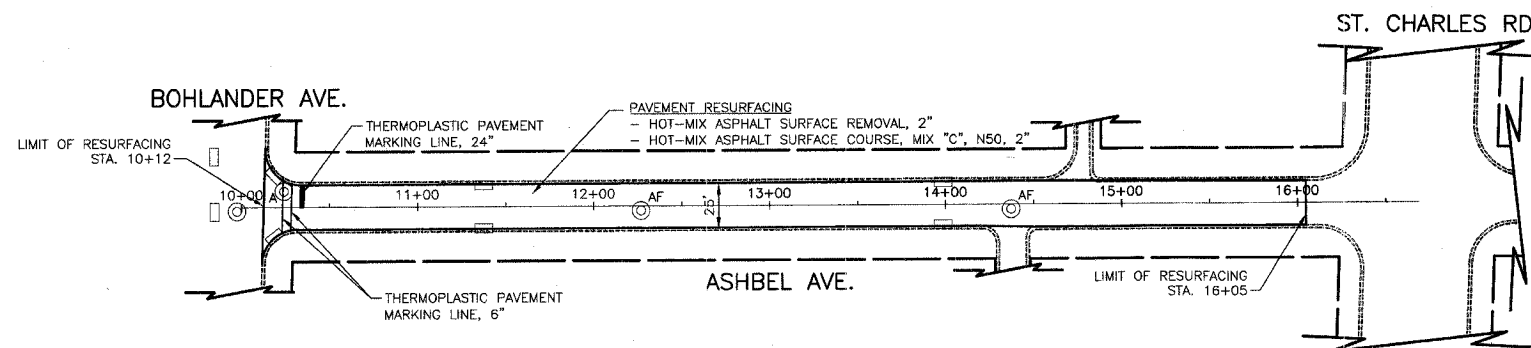
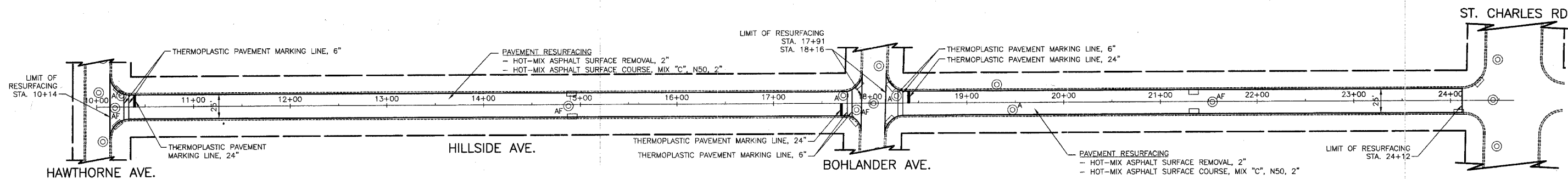


SECTION	COUNTY	TOTAL SHEETS	SHEET NO.
06-00031-00-PV	COOK	14	5
ASHBEL AVENUE & HILLSIDE AVENUE			
FED. ROAD DIST. NO. 7 ILLINOIS FED. AID PROJECT HPP-0224(004)			



LEGEND

- A FRAMES AND LIDS TO BE ADJUSTED (SPECIAL)
- AF FRAMES AND LIDS TO BE ADJUSTED (SPECIAL)
FRAMES AND LIDS, TYPE 1, CLOSED LID
- ⊙ EXISTING MANHOLE
- EXISTING INLET



REVISIONS	
NAME	DATE

ILLINOIS DEPARTMENT OF TRANSPORTATION

RESURFACING PLAN

ASHBEL AVENUE (BOHLANDER AVE. TO ST. CHARLES RD.)
HILLSIDE AVENUE (HAWTHORNE AVE. TO ST. CHARLES RD.)

HORIZ: 50 0 50
SCALE IN FEET

DATE: 2-23-07
CHECKED BY: D.N.M.

..1974_p1cn_02.dwg[layout]
PLOTTED: Friday, 23 Feb 2007 - 7:05am
SAVED: Thursday, 22 Feb 2007 - 4:47pm

