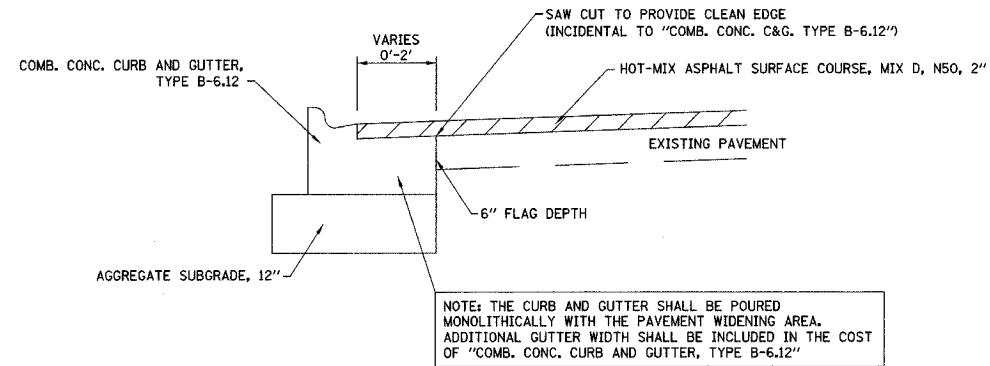
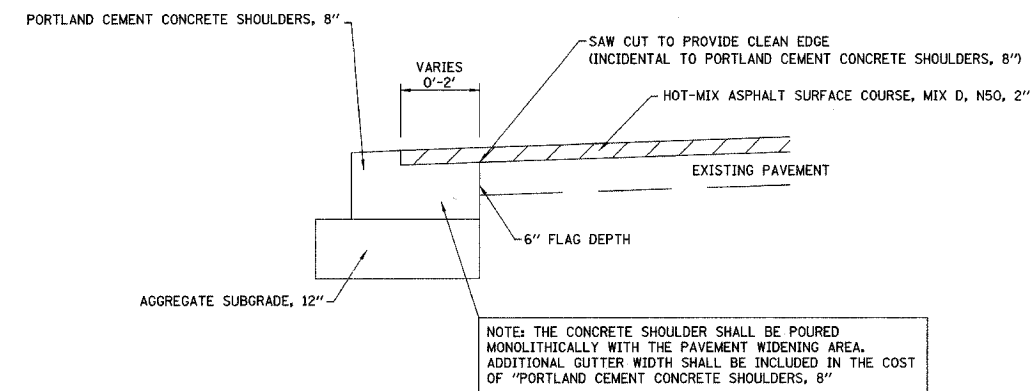


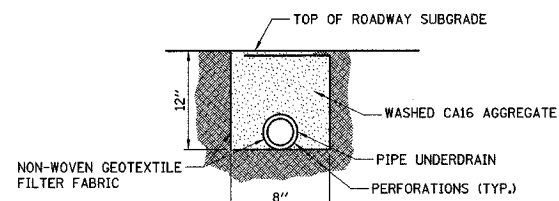
F.A.U. RITE	SECTION	COUNTY	TOTAL SHEETS	SHEET NO.
3869	06-00030-00-FP	MCHENRY	56	32
DETAILS				
FED. ROAD DIST. NO. 7 ILLINOIS FED. AID PROJECT M-8003(641)				



**COMBINATION CONCRETE CURB AND GUTTER, TYPE B-6.12**  
AT NARROW WIDENING LOCATIONS



**PORTLAND CEMENT CONCRETE SHOULDERS, 8"**  
AT NARROW WIDENING LOCATIONS



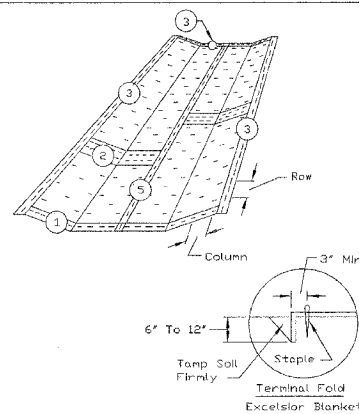
**SECTION B-B**

**GENERAL NOTES:**

- BOTH THE TRENCH AND DRAIN TILE SHALL BE WRAPPED WITH NON-WOVEN GEOTEXTILE FILTER FABRIC.
- WASHED AGGREGATE SHALL BE PLACED AROUND THE DRAIN TILE.
- HOLE SHALL BE DRILLED INTO STRUCTURE.
- HYDRAULIC CEMENT SHALL BE PLACED AROUND THE PIPE TO SEAL THE OPENING, BOTH INSIDE AND OUTSIDE THE STRUCTURE.

**PIPE UNDERDRAIN, FABRIC LINED TRENCH, 4"**

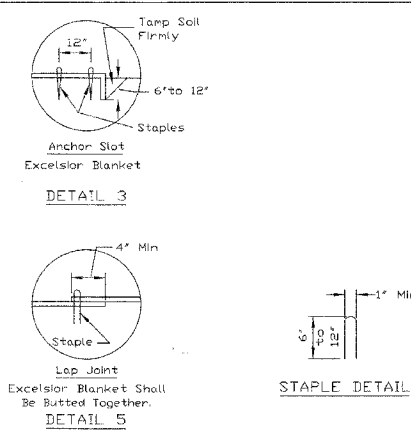
**EROSION CONTROL BLANKET**



**DETAIL 1**

**DETAIL 2**

**EROSION CONTROL BLANKET**



**DETAIL 3**

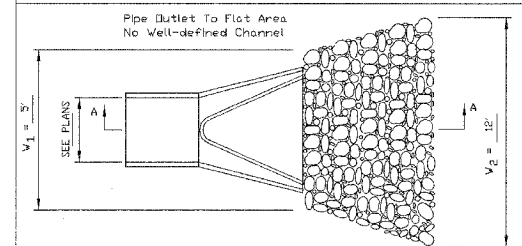
**DETAIL 5**

**STAPLE DETAIL**

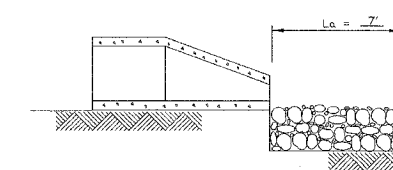
**NOTES:**

- Staples are to be placed alternately, in columns approximately 2' apart and in rows approximately 3' apart. Approximately 175 staples are required per 4' x 225' roll of material and 125 staples are required per 4' x 150' roll of material.
- Erosion control material shall be placed loosely over ground surface. Do not stretch.
- All terminal ends and transverse laps shall be stapled at approximately 12' intervals.

**PIPE OUTLET TO FLAT AREA**



**PLAN**

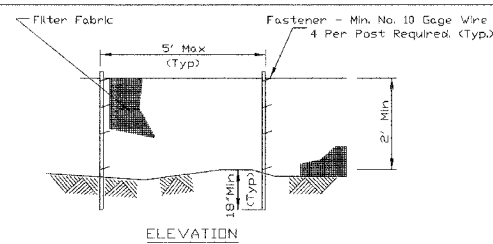


**SECTION A-A**

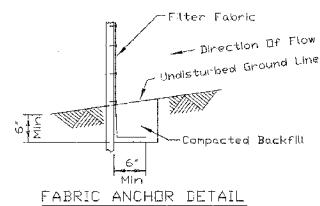
**NOTES:**

- The rock riprap shall meet the IDOT requirements for the following gradation RR-3, Quality A.

**SILT FENCE PLAN**



**ELEVATION**

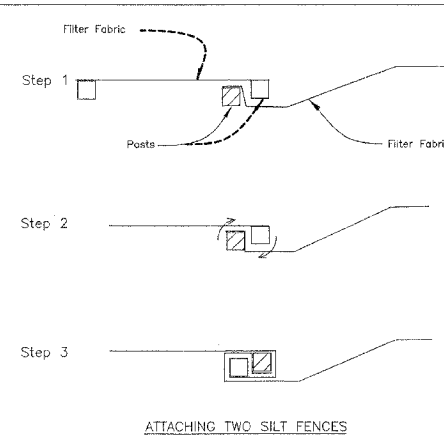


**FABRIC ANCHOR DETAIL**

**NOTES:**

- Temporary sediment fence shall be installed prior to any grading work in the area to be protected. They shall be maintained throughout the construction period and removed in conjunction with the final grading and site stabilization.
- Fence posts shall be either standard steel post or wood post with a minimum cross-sectional area of 3.0 sq. in.

**SILT FENCE**



**ATTACHING TWO SILT FENCES**

**NOTES:**

- Place the end post of the second fence inside the end post of the first fence.
- Rotate both posts at least 180 degrees in a clockwise direction to create a tight seal with the fabric material.
- Drive both posts a minimum of 18 inches into the ground and bury the flap.