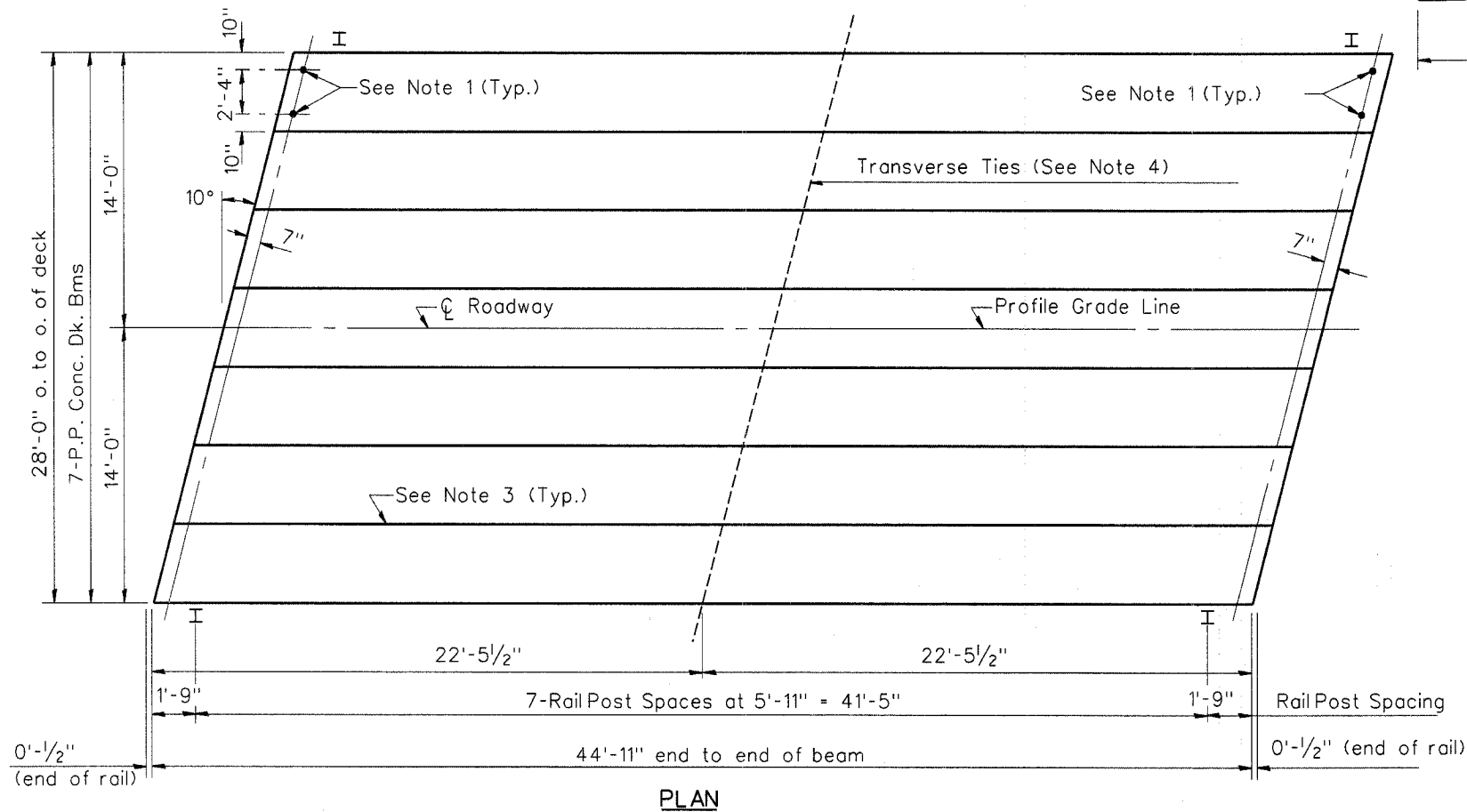
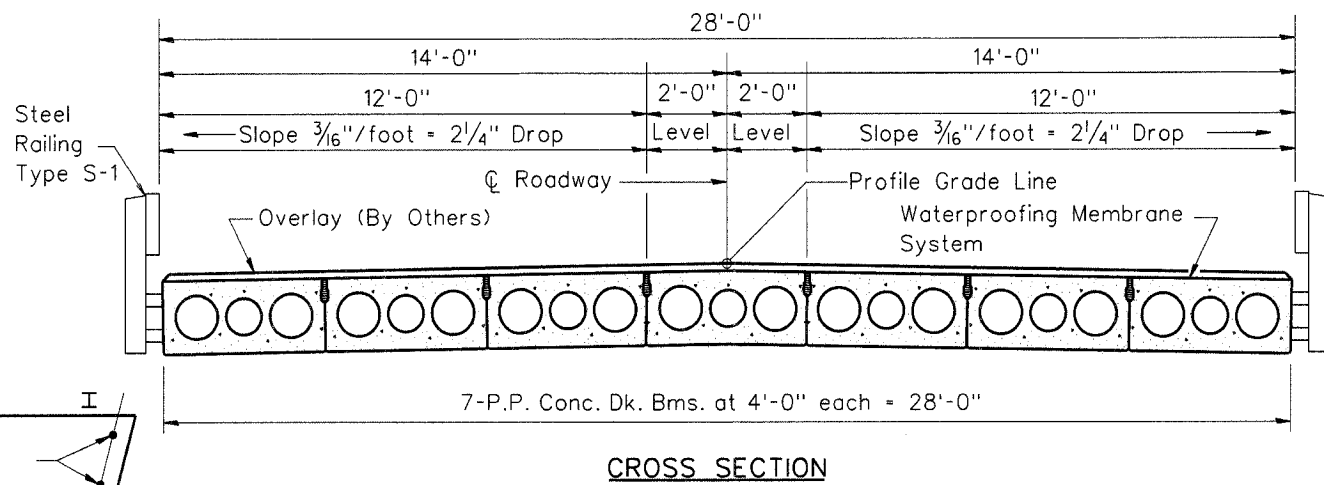
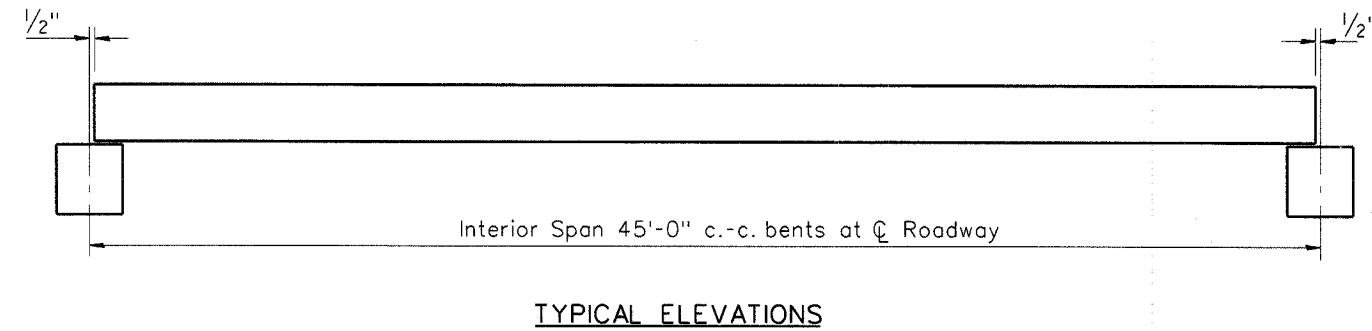
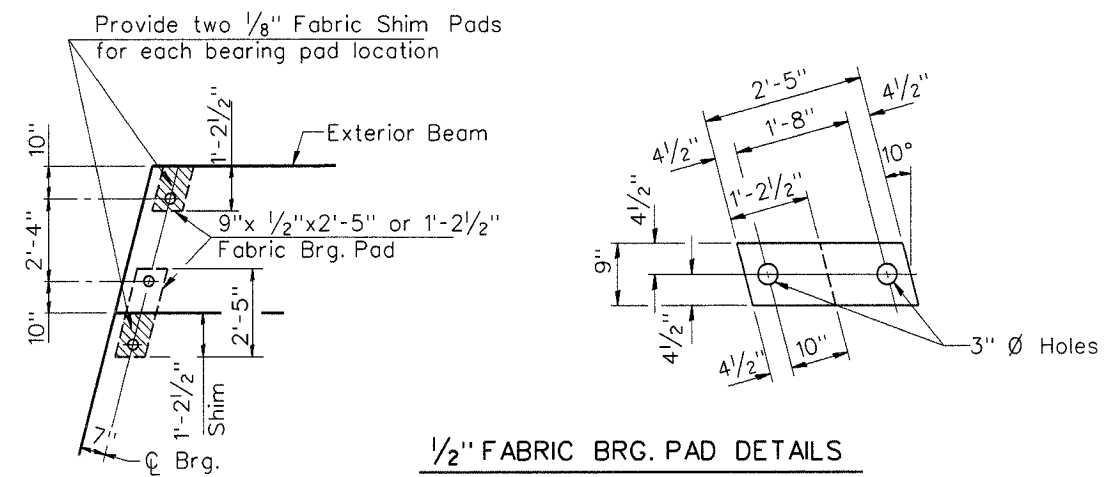


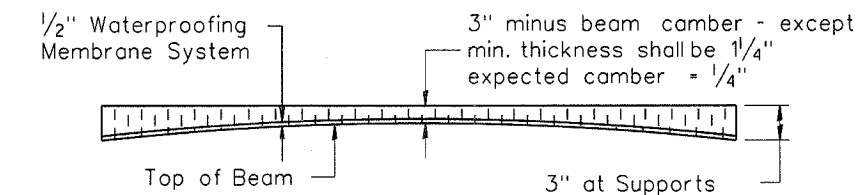
FAS RTE	SECTION	COUNTY	TOTAL SHEETS	SHEET NO.
238	01-00130-00-BR	HENRY	14	6
F.W.W.A. REG.		ILLINOIS	PROJECT	



**PLAN**  
(10 ° = Designated Skew Angle)



**1/2" FABRIC BRG. PAD DETAILS**



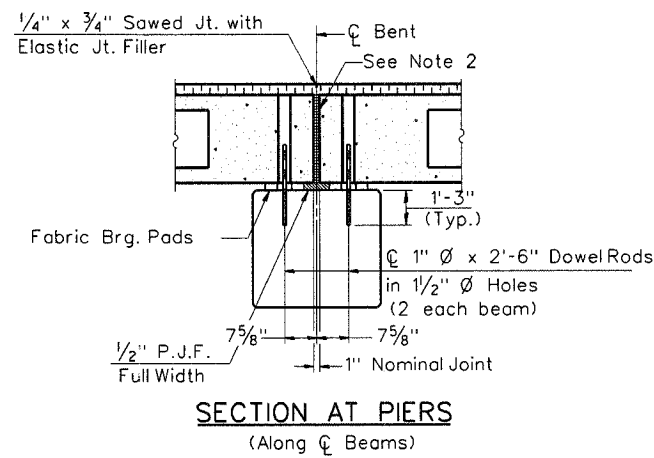
**PROFILE OF OVERLAY BY OTHERS**

**QUANTITIES FOR ONE SPAN**

P.P. Conc. Dk. Bm. 21" Dp.	1260 Sq. Ft.
Steel Railing, Type S-1	90 Ft.
Waterproofing Membrane System	140 Sq. Yds.
Portland Cement Mortar Faring Course	270 Ft.

**SPAN 2**

P.P.C. DECK BEAM SUPERSTRUCTURE			
28' RDWY.	21' BMS.	45' SPAN	LEFT



**SECTION AT PIERS**  
(Along Q Beams)

- NOTES**
1. After beams have been erected, holes shall be drilled into substructure and anchor dowels placed. Dowel holes shall be filled with non-shrink grout to top of beam and allowed to cure min. 24 hrs. prior to grouting the shear keys.
  2. Nominal 1" joint at Q Pier shall be filled with non-shrink grout.
  3. Longitudinal keys shall be grouted.
  4. The 1" rods in the transverse tie assembly shall be tightend to a snug fit and the threads set. Pockets that receive transverse tie bar outside shall be filled with grout after transverse tie assembly is in place.

**PROJECT TITLE** HENRY COUNTY BRIDGE  
**SECTION** 01-00130-00-BR (FAS 1232)  
**SHEET TITLE** P.C.C. DECK BEAM SUPERSTR., SPAN 2

**DES. / DRN. / CHK. / APP. / DATE**

**DATE** 03.01.07  
**SHEET** 5  
**OF 13 SHEETS**

**REVISION**

**DESCRIPTION**

**Soedemann and Associates, Inc.**  
 340 NORTH NEIL STREET  
 POST OFFICE BOX 557  
 CHAMPAIGN, ILLINOIS 61824-0557  
 TEL: 309/552-7688 FAX: 309/552-7922  
 ENGINEERING / ANALYSIS / MANAGEMENT