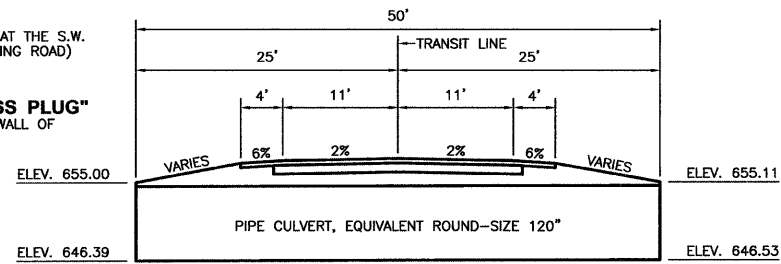


EXISTING STRUCTURE:
 SN 006-5020, 52'-2" REINFORCED CONCRETE
 DOUBLE 12' X 6' BOX CULVERT BUILT 1961
 TO BE REMOVED.

BENCHMARK "B"
 20P NAIL IN POWER POLE AT THE S.W.
 CORNER OF C.H. 33 (ANGLING ROAD)
 AND 3200E ROAD
 ELEV. 655.52

BENCHMARK "BRASS PLUG"
 BRASS PLUG IN N.W. WINGWALL OF
 EXISTING BOX CULVERT.
 ELEV. 654.00

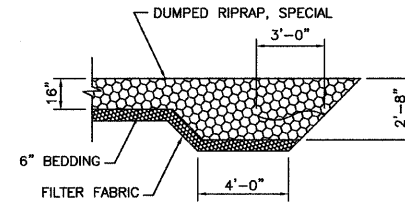


LONGITUDINAL SECTION
 ALL DIMENSIONS AT RT L'S TO TRANSIT LINE

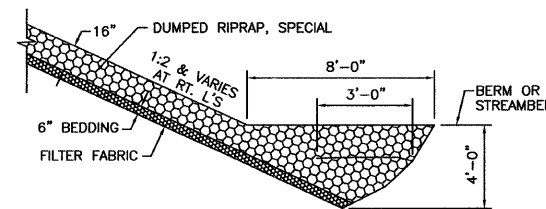
NEGRO CREEK
 BUILT 2007 BY
 BUREAU COUNTY
 SEC. 05-00198-00-RS
 CH. 33 STA 410+54
 STR. NO. 006-5032 LOADING HS-20

NAME PLATE
 SEE STD. 515001

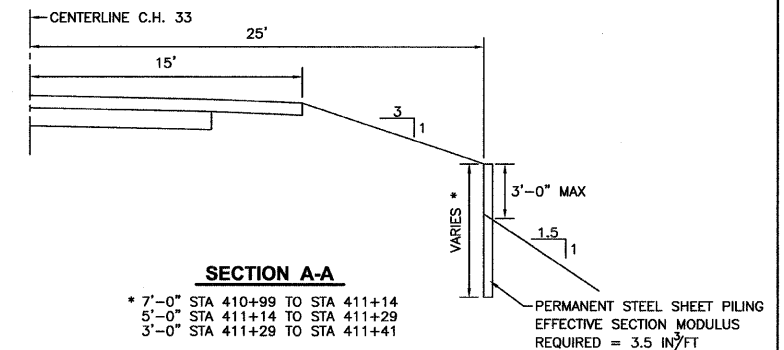
- GENERAL NOTES:**
- FOR BORING DATA SEE SHEETS 23 & 24.
 - LAYOUT OF SLOPE PROTECTION SYSTEM MAY BE VARIED IN THE FIELD TO SUIT GROUND CONDITIONS AS DIRECTED BY THE ENGINEER.
 - CULVERT HEADWALLS AND WINGWALLS SHALL BE PARALLEL TO CENTERLINE.
 - CULVERT HEADWALLS AND WINGWALLS SHALL BE DESIGNED BY CULVERT SUPPLIER AND SHALL BE ANCHORED INTO THE EMBANKMENT.



FLANK RIPRAP TREATMENT



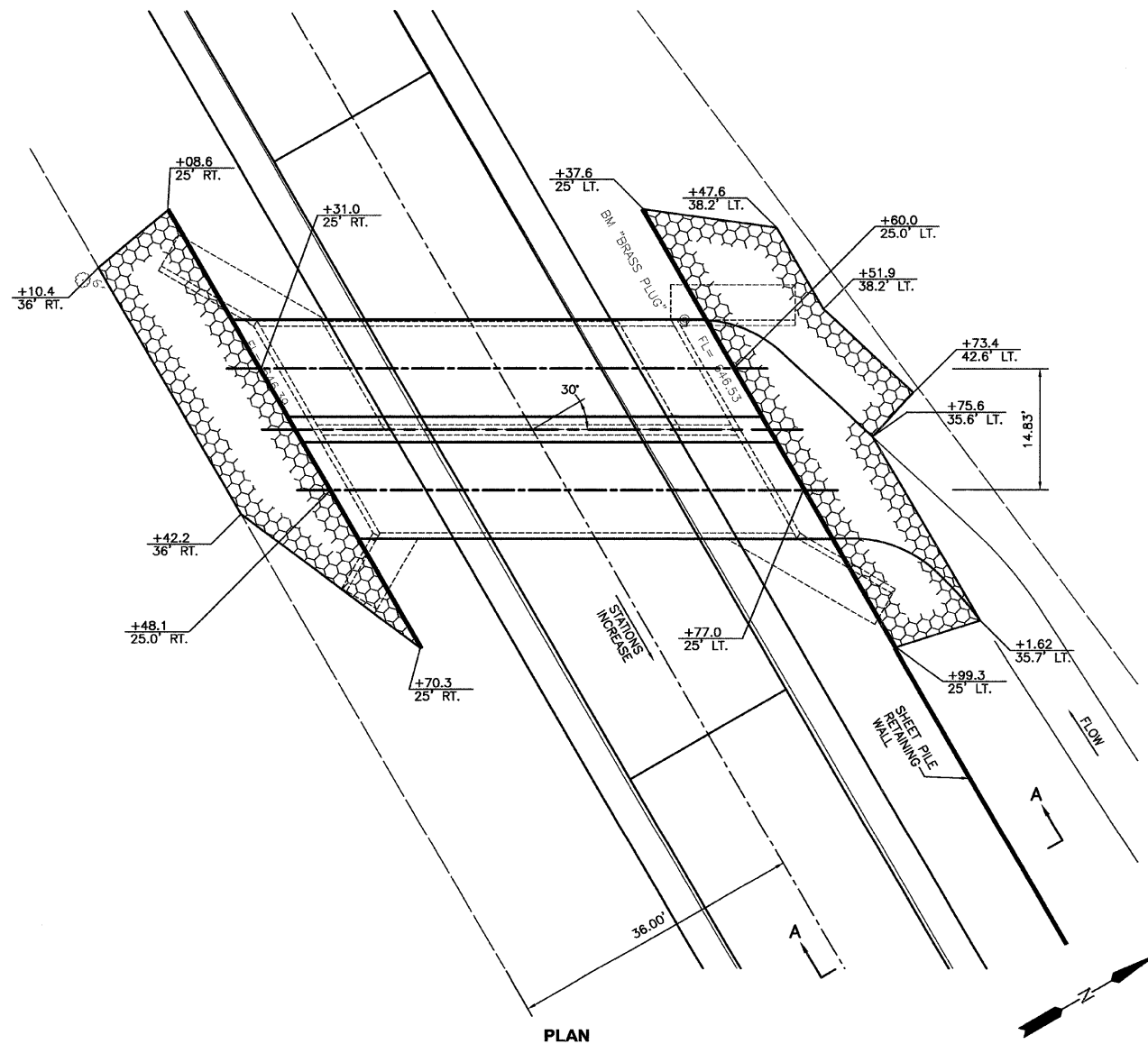
TOE STONE RIPRAP TREATMENT



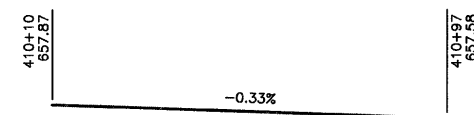
SECTION A-A

* 7'-0" STA 410+99 TO STA 411+14
 5'-0" STA 411+14 TO STA 411+29
 3'-0" STA 411+29 TO STA 411+41

PERMANENT STEEL SHEET PILING
 EFFECTIVE SECTION MODULUS
 REQUIRED = 3.5 IN³/FT



PLAN

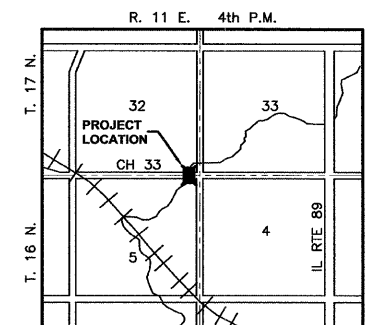


PROFILE GRADE

BILL OF MATERIALS		
REMOVAL OF EXISTING STRUCTURES	EACH	1
NAME PLATES	EACH	1
PIPE CULVERTS, CLASS D, TYPE 2, EQUIVALENT ROUND- SIZE 120"	FOOT	116
DUMPED RIPRAP, SPECIAL	TON	129
*TRENCH BACKFILL	TON	155
PERMANENT STEEL SHEET PILING	SQ FT	216

*INCLUDED IN COST OF PIPE CULVERTS,
 CLASS D, TYPE 2, EQUIVALENT
 ROUND- SIZE 120"

WATERWAY INFORMATION									
DRAINAGE AREA= 8.1 SQ. MI.					Low Grade Elev. = 657.20 / 657.58 (exist / prop.) @ sta. 411+00				
FLOOD	FREQ. YR.	Q C.F.S.	OPENING SQ. FT.		NAT. H.W.E.	HEAD - FT.		HEADWATER EL.	
			EXIST.	PROP.		EXIST.	PROP.	EXIST.	PROP.
	10	930	144	149	654.6	0	0.1	654.6	654.7
DESIGN	20	1324	144	149	655.2	0	0.3	655.2	655.5
OVERTOPPING	-	-	-	-	-	-	-	-	-
BASE	100	1683	144	149	656.9	0	0	656.9	656.9



LOCATION SKETCH

DRAWN BY: KKP/LAG

CULV-02-12-07
 CAD/DWG: CULV-GEN
 CULV-TOPO
 DATE: 04/07

REVISIONS	
DATE	BY

CHAMBLIN ASSOCIATES

PERU MORRIS
 ILLINOIS

C.H. 33 (ANGLING ROAD)
 2007
 SECTION 05-00198-00-RS

GENERAL PLAN SN 006-5032

SCALE: AS NOTED

SHEET 22

FILE NO.: 6813.00Y-1

OF 33