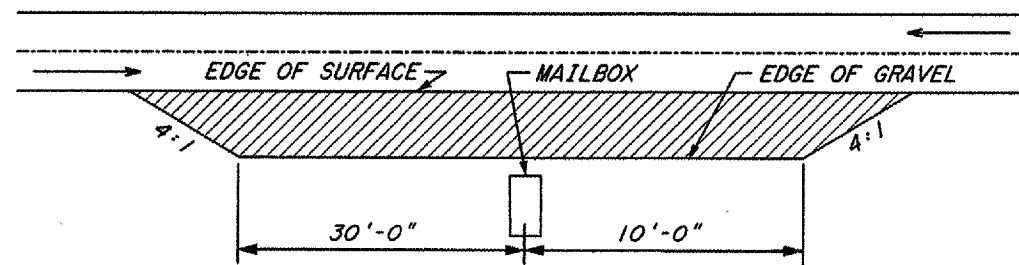
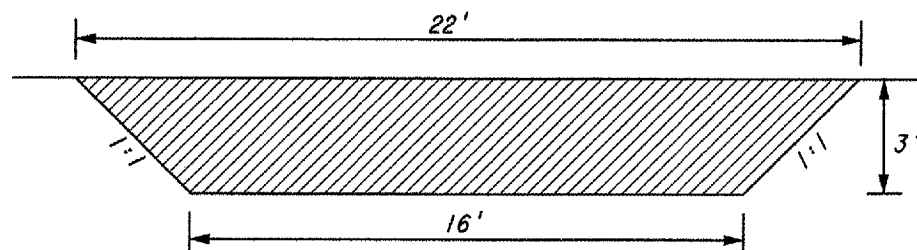


COUNTY	SECTION	HWY.NO.	SHEET NO.
LASALLE	06-00264-01-WR	CH 8	8 of 8

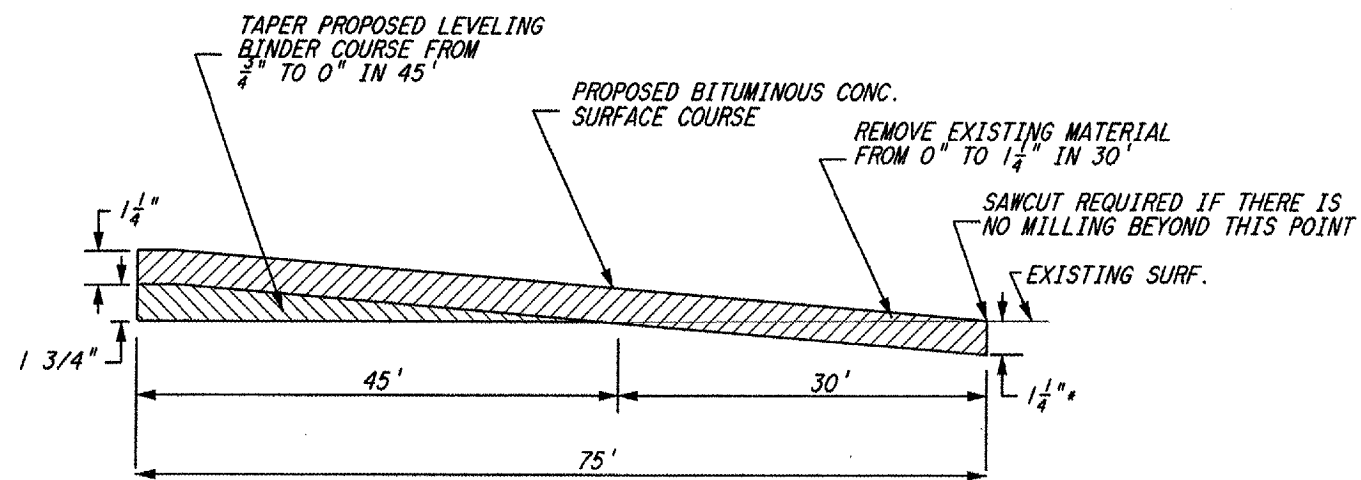
CONTRACT NO. 87344



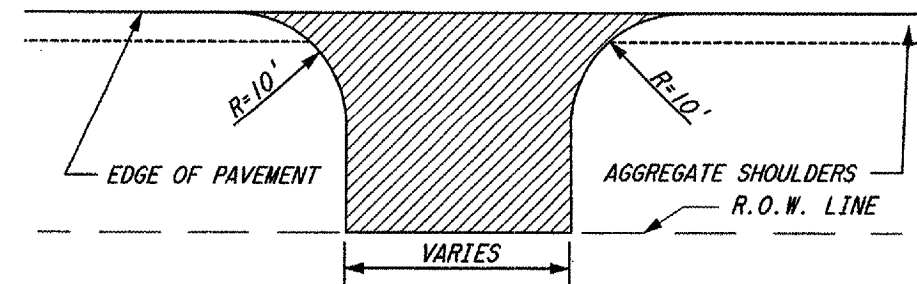
TYPICAL MAILBOX TURNOUT



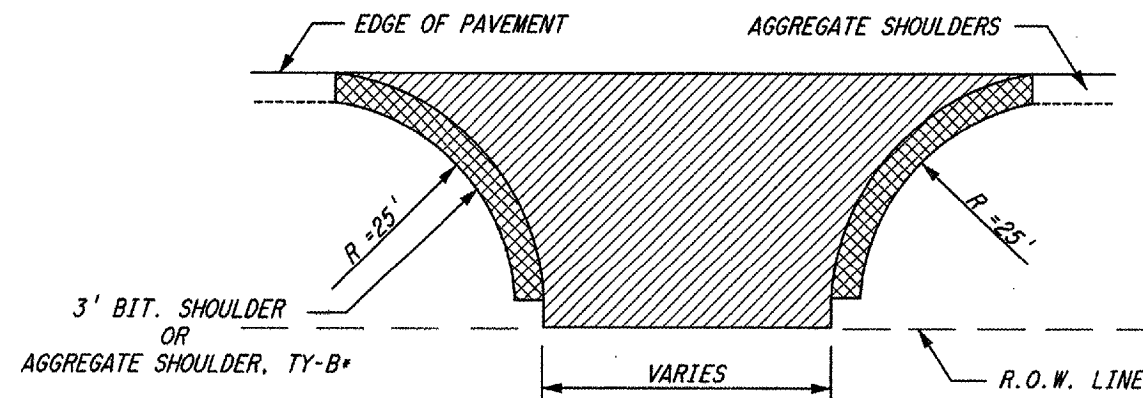
TYPICAL FIELD ENTRANCE



TAPER DETAIL



TYPICAL PRIVATE ENTRANCE



TYPICAL INTERSECTION

\*NOTE:

THE EXISTING SHOULDERS TO BE PAVED SHALL BE SHAPED, COMPACTED AND PRIMED TO THE SATISFACTION OF THE ENGINEER. THE SHOULDERS SHALL BE PAVED WITH BITUMINOUS CONCRETE SURFACE COURSE TO THE WIDTH AND THICKNESS DESIGNATED BY THE ENGINEER. PAVED SHOULDERS SHALL BE PAID FOR AT THE CONTRACT UNIT PRICE PER TON FOR BITUMINOUS CONCRETE SURFACE COURSE. AGGREGATE FOR SHOULDERS MAY BE PLACED AROUND RADII AT INTERSECTIONS. ENGINEER WILL BE THE SOLE JUDGE AS TO THE CONSTRUCTION TYPE AND METHOD.