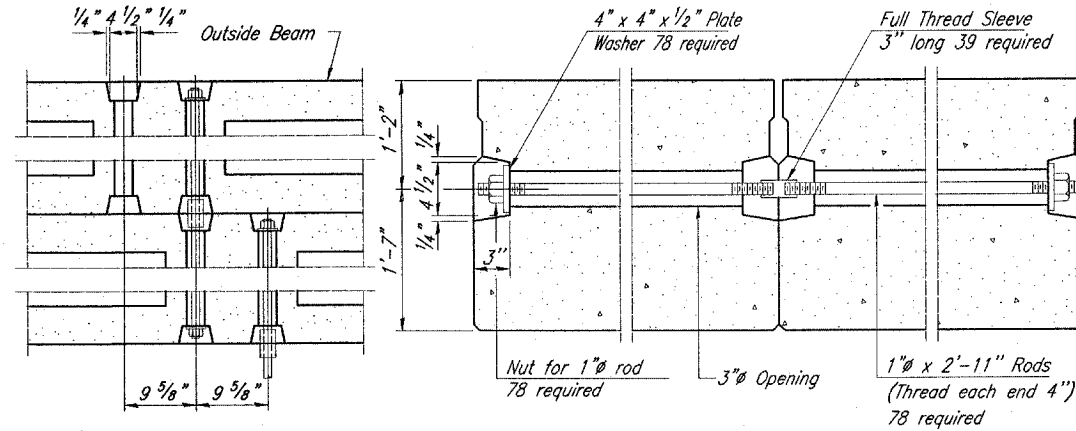


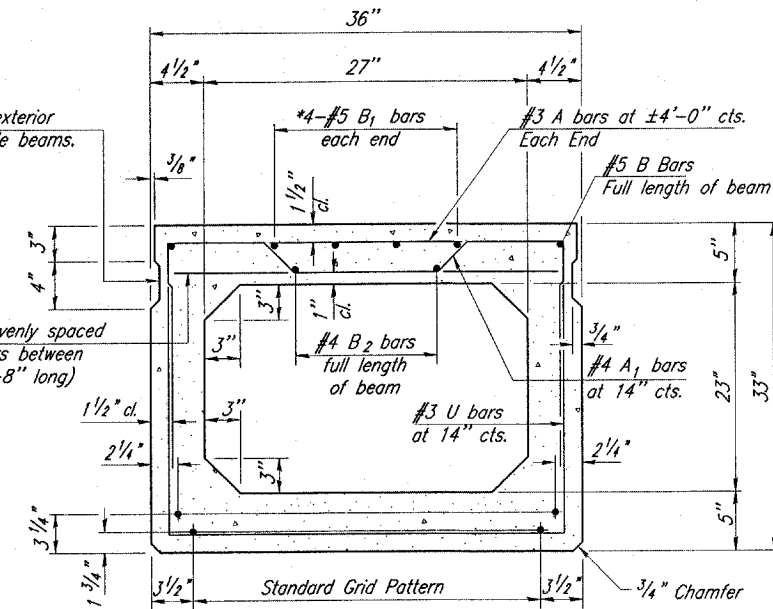
FIXED



*0.2 x Length of beam Sheet 2 of 8

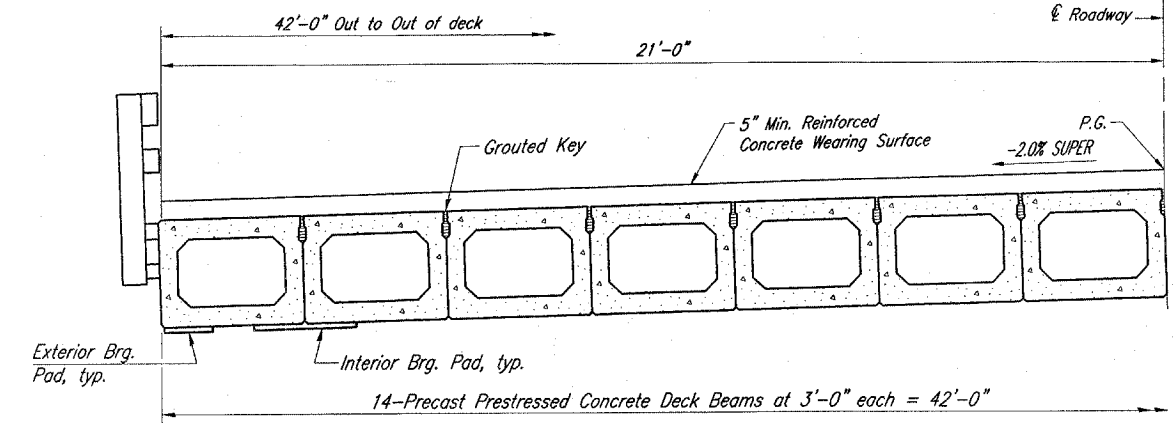
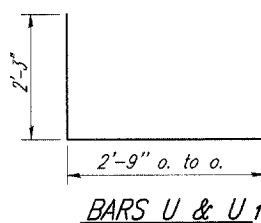
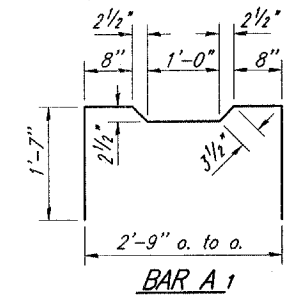
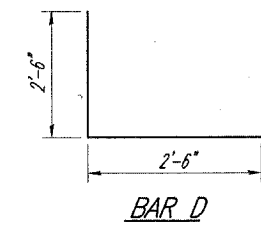
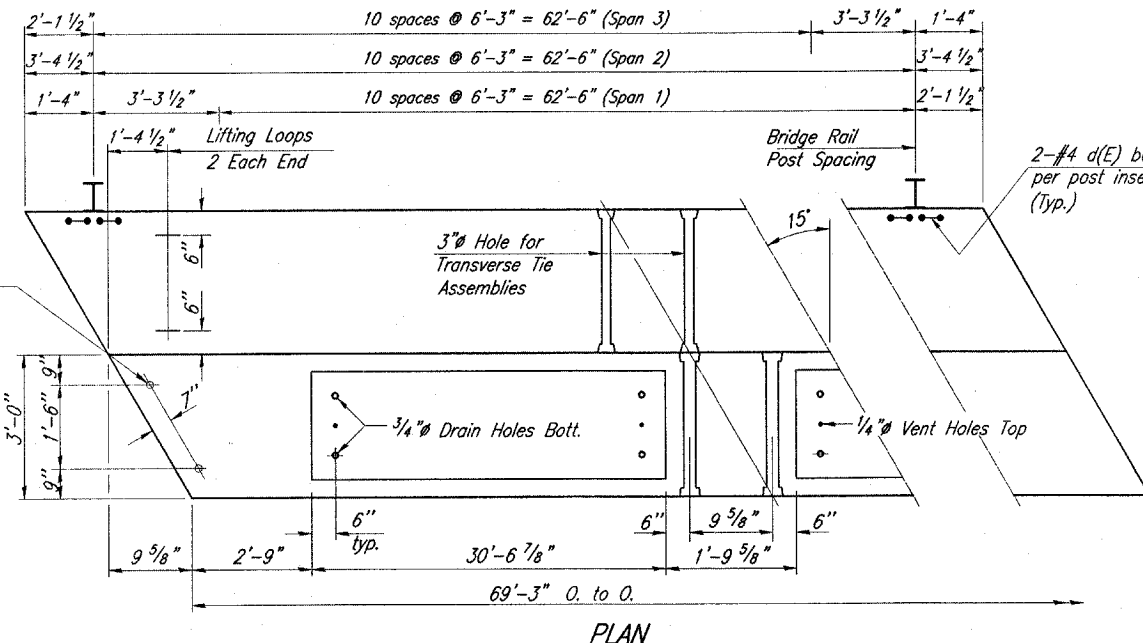
Omit key on exterior face of outside beams.

2-#3 A bars evenly spaced between A₁ bars between end blocks (2'-8" long)



1/2" Strands, Each Strand Stressed to 30,900 Lbs.
7 Strands 1 3/4" up, 6 Strands 3 1/4" up, 2 Strands 6" up,
2 Strands 9" up, 2 Strands 12" up

Note: Place strands symmetrically about C of beam.



NOTES

- Prestressing steel shall be uncoated high strength, low relaxation 7-wire strand, Grade 270.
- The nominal diameter shall be 1/2" and the nominal cross-sectional area shall be 0.153 sq. in.
- Lifting loops shall be 2-1/2" - 270 ksi strands, as shown.
- The 1" rods in the transverse tie assembly shall be tightened to a snug fit and the threads set. Pockets that receive transverse tie bar on outside shall be filled with grout after transverse tie assembly is in place.
- Non prestressing steel shall conform to ASTM A 706 Gr 60 (L Modified). See Special Provisions.
- The bearing seat surfaces shall be adjusted by shimming to assure firm and even bearing. Two 1/8" fabric adjusting shims of the dimensions of the Exterior Bearing Pad shall be provided for each bearing.
- Keyway surfaces shall be cleaned to remove form oil or other bond breaking material prior to shipment of the beams. Cleaning shall be done by sandblasting the keyway areas between top of the beam and the bottom edge of the key.
- A Corrosion Inhibitor shall be used in the concrete for the precast prestressed concrete deck beams, according to Article 1020.05 (b)(12) of the Standard Specifications.
- Required Release Strength, f'ci, shall be 4,000 p.s.i.
- The top surface of the beams shall be finished according to the IDOT Manual for Fabrication of Precast Prestressed Concrete Products.

BILL OF MATERIAL

ITEM	UNIT	QUANTITY
Precast Prestressed Conc. Deck Bms.	Sq. Ft.	8725.5

APR 05 2007 6:38 PM CML
F:\PROJECTS\1002003\FINAL PLANS 070406\BRIDGE\PD-5-R.DWG

PD-5-R

END PLAN

LIFTING LOOP DETAIL

REVISION

DATE

Hanson No. 06P2008
Filename PD-5-R.DWG
Scale 04/06/07

LAYOUT	TWZ	10/12/06
DRAWN	RLA	10/12/06
REVIEWED	JUT	01/16/07

Phone: (309) 691-0902
Fax: (309) 691-1327
www.hanson-inc.com
Offices Nationwide

HANSON
© Copyright Hanson Professional Services Inc. 2007
Hanson Professional Services Inc.
2900 W. Willow Knolls Road
Peoria, Illinois 61614-1129

SUPERSTRUCTURE

LANCASTER RD. OVER LaMARSH CREEK
STRUCTURE NO. 072-3145
PEORIA COUNTY, ILLINOIS

25

25 of 99 sheets