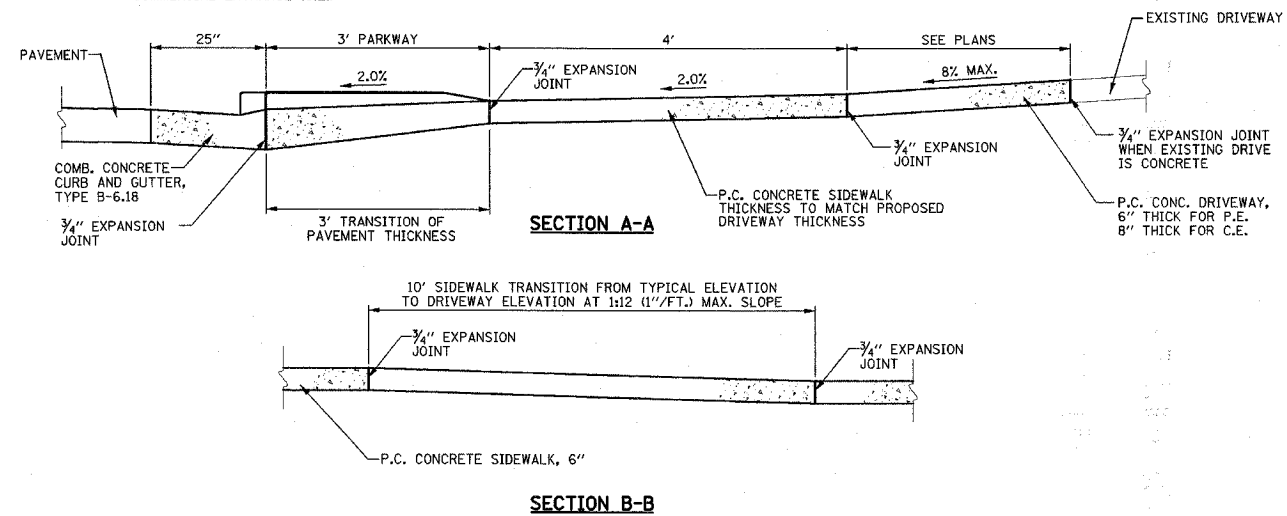
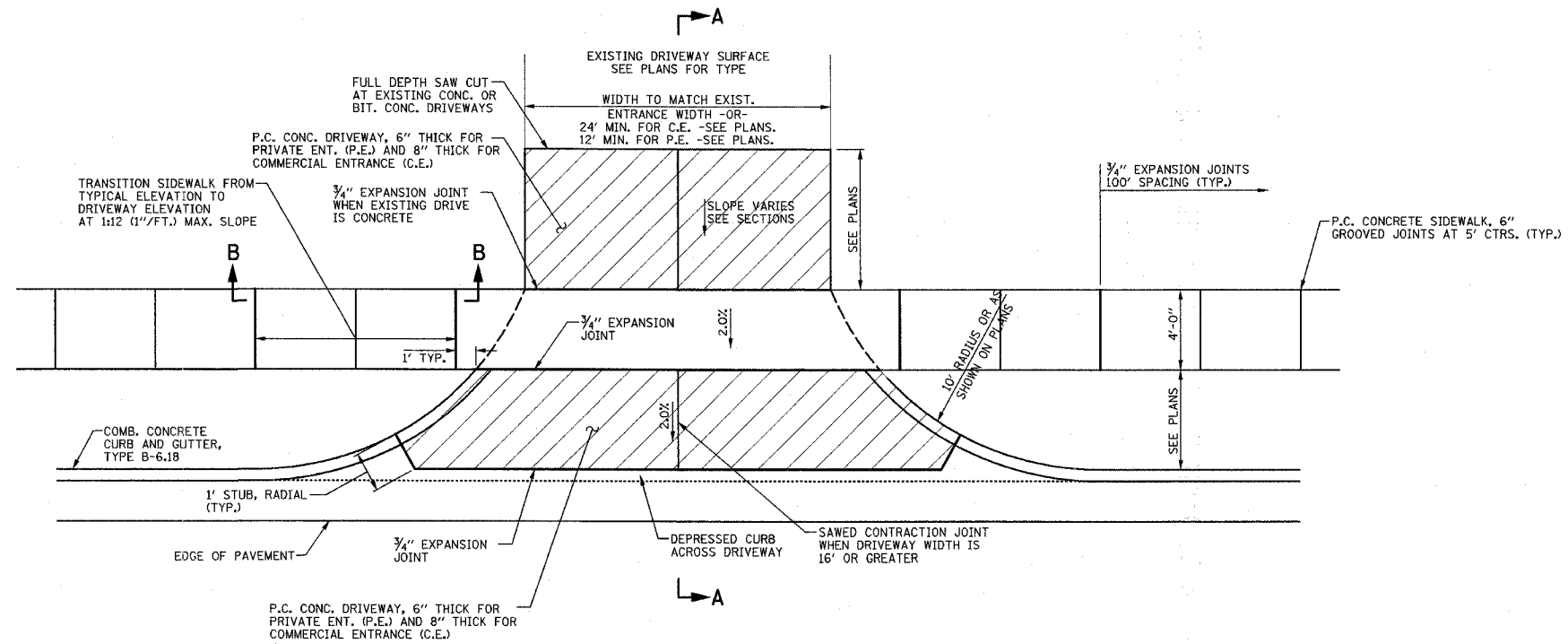
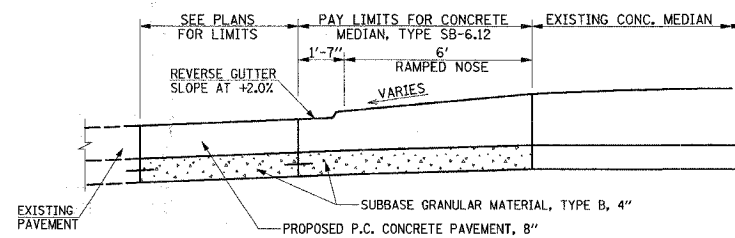


F.A.U. RTE. 6332 6-12	SECTION 02-00218-00-SP	COUNTY MCLEAN	TOTAL SHEETS 35	SHEET NO. 25
STA.		TO STA.		
		ILLINOIS		FED. AID PROJECT

CONTRACT NO. 91363



**P.C. CONCRETE DRIVEWAY DETAIL  
ADJACENT TO COMB. CONC. CURB & GUTTER, TYPE B-6.18  
(PRIVATE AND COMMERCIAL ENTRANCES)**

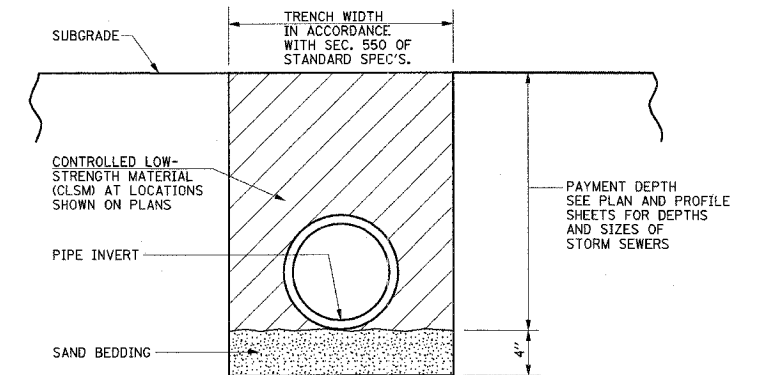


**NOTES**

1. THE RAMPED CONCRETE MEDIAN NOSES AT COLLEGE AVE. AND TOWANDA AVE. SHALL BE CONSTRUCTED IN ACCORDANCE WITH STD. 606301 THE RAMPED NOSES SHALL BE 6 FEET LONG MEASURED FROM THE END OF THE RAMP TO THE BACK OF THE CURB. THE RAMPED NOSES WILL BE PAID FOR AS CONCRETE MEDIAN, TYPE SB-6.12.

**CONCRETE MEDIAN DETAILS**

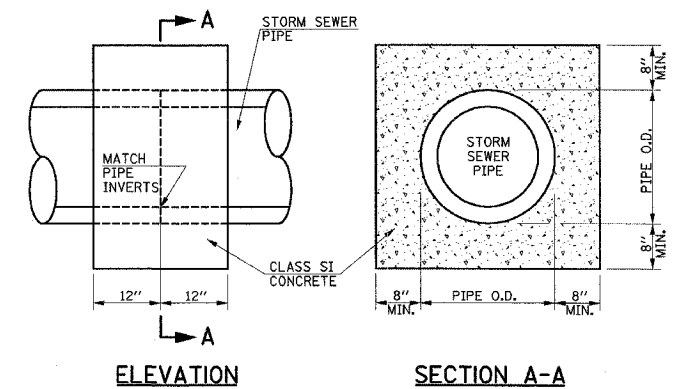
CONC. MEDIAN COLLEGE AVE. - STA. 199+41.34 TO 199+48.92  
STA. 200+57.00 TO 200+64.58  
CONC. MEDIAN TOWANDA AVE. - STA. 399+29.18 TO 399+36.76  
STA. 400+56.58 TO 400+64.16



**NOTES**

1. THE CLSM SHALL BE PLACED IN ACCORDANCE TO SECTION 593 OF THE STANDARD SPECIFICATIONS.
2. THE APPLICABLE ARTICLES OF SECTION 550 OF THE STANDARD SPECIFICATIONS SHALL APPLY FOR EXCAVATION, BEDDING AND INSTALLATION OF STORM SEWERS.
3. THE SAND BEDDING SHALL BE CONSIDERED INCLUDED IN THE CONTRACT UNIT PRICE PER CUBIC YARD FOR CONTROLLED LOW-STRENGTH MATERIAL.

**CONTROLLED LOW-STRENGTH MATERIAL DETAIL**



**NOTE**

THE CONCRETE COLLARS SHALL BE UTILIZED WHERE CONNECTING STORM SEWERS OF DIFFERENT TYPES OR AS DIRECTED BY THE ENGINEER. THE COST OF CONSTRUCTING THE CONCRETE COLLARS SHALL BE INCLUDED IN THE CONTRACT UNIT PRICE FOR THE NEW SEWER.

**CONCRETE COLLAR DETAILS**

NO SCALE

ILLINOIS DEPARTMENT OF TRANSPORTATION

**MISCELLANEOUS DETAILS**

DATE : 3-07  
DRAWN BY : S.M.W.  
CHECKED BY : J.T.P.

SCALE : NONE