

ROUTE NO.	SECTION	COUNTY	TOTAL SHEETS	SHEET NO.
T.R. 60	06-05132-00-BR	EDGAR	15	2
ROAD DIST.	ILLINOIS		EMBARRASS	
CONTRACT NO. 91374				

**SUMMARY OF QUANTITIES**

NUMBER	ITEM	UNIT	QUANTITY
20100110	TREE REMOVAL (6 TO 15 UNITS DIAMETER)	UNIT	204
20100210	TREE REMOVAL (OVER 15 UNITS DIAMETER)	UNIT	72
20100500	TREE REMOVAL, ACRES	ACRE	0.1
20200100	EARTH EXCAVATION	CU YD	1,043
20300100	CHANNEL EXCAVATION	CU YD	240
20400800	FURNISHED EXCAVATION	CU YD	1,973
25001000	SEEDING, CLASS 2 (SPECIAL)	ACRE	0.8
28000250	TEMPORARY EROSION CONTROL SEEDING	POUND	94
28000300	TEMPORARY DITCH CHECKS	EACH	12
28000400	PERIMETER EROSION BARRIER	FOOT	1,500
28000500	INLET AND PIPE PROTECTION	EACH	4
28100207	STONE RIPRAP, CLASS A4	TON	190
28200200	FILTER FABRIC	SQ YD	240
40200800	AGGREGATE SURFACE COURSE, TYPE B	TON	586
50100100	REMOVAL OF EXISTING STRUCTURES	EACH	1
50300225	CONCRETE STRUCTURES	CU YD	39.6
50400505	PRECAST PRESTRESSED CONCRETE DECK BEAMS (27" DEPTH)	SQ FT	3,402
50800105	REINFORCEMENT BARS	POUND	4,130
50900205	STEEL RAILING, TYPE S1	FOOT	253
51201600	FURNISHING STEEL PILES HP12X53	FOOT	452
51202305	DRIVING PILES	FOOT	452
51203600	TEST PILE STEEL HP12X53	EACH	3
51204315	CONCRETE ENCASMENT	CU YD	20.7
51500100	NAME PLATES	EACH	1
542D0220	PIPE CULVERTS, CLASS D, TYPE 1 15"	FOOT	102
542D1063	PIPE CULVERTS, CLASS D, TYPE 2 18"	FOOT	60
67000500	ENGINEER'S FIELD OFFICE, TYPE B	CAL MO	4
67100100	MOBILIZATION	L SUM	1
78201000	TERMINAL MARKER - DIRECT APPLIED	EACH	4
X5020501	UNDERWATER STRUCTURE EXCAVATION PROTECTION - LOCATION 1	EACH	1

\*SEE SPECIAL PROVISIONS

**GENERAL NOTES**

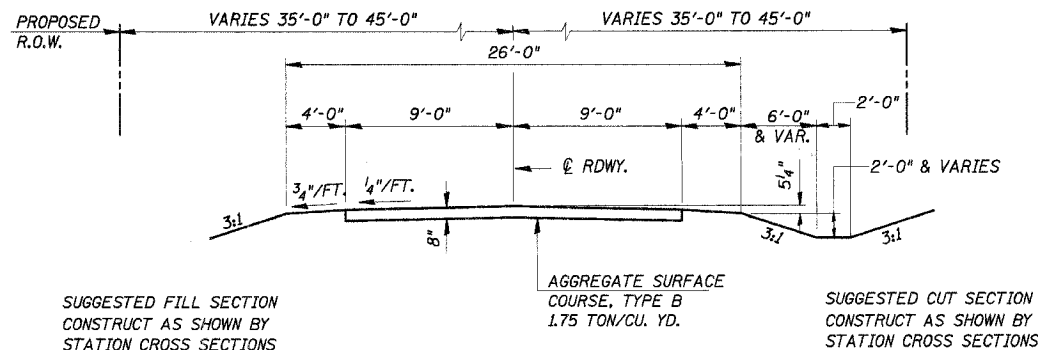
1. WHERE SECTION OR SUBSECTION MONUMENTS ARE ENCOUNTERED, THE ENGINEER SHALL BE NOTIFIED BEFORE SUCH MONUMENTS ARE REMOVED. THE CONTRACTOR SHALL PROTECT AND CAREFULLY PRESERVE ALL PROPERTY MARKS AND MONUMENTS UNTIL THE OWNER, AND AUTHORIZED SURVEYOR OR AGENT HAS WITNESSED OR OTHERWISE REFERENCED THEIR LOCATION.

2. THE AREA TO BE SEEDDED SHALL CONSIST OF ALL DISTURBED EARTH SURFACES WITHIN THE RIGHT OF WAY, AS DIRECTED BY THE ENGINEER.

SEEDING, CLASS 2 (SPECIAL) = 0.8 ACRE

3. ALL TREES WITHIN THE LIMITS SHOWN BELOW AND THE ADJACENT SHOWN R.O.W. LINES AND EASEMENTS WHICH INTERFERE WITH CONSTRUCTION SHALL BE REMOVED ONLY AS DIRECTED BY THE ENGINEER. SEE SPECIAL PROVISIONS.

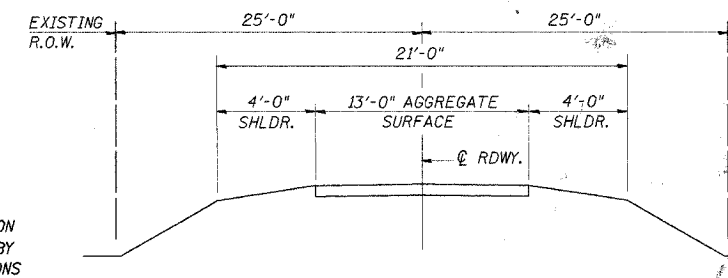
33' RT. STA. 11+96 TO 25' RT. STA. 12+50 = 0.01 ACRE  
 25' RT. STA. 12+50 TO 38' RT. STA. 14+00 = 0.06 ACRE  
 40' RT. STA. 15+57 TO 45' RT. STA. 16+30 = 0.01 ACRE  
 TOTAL = 0.08 ACRE  
 USE 0.10 ACRE



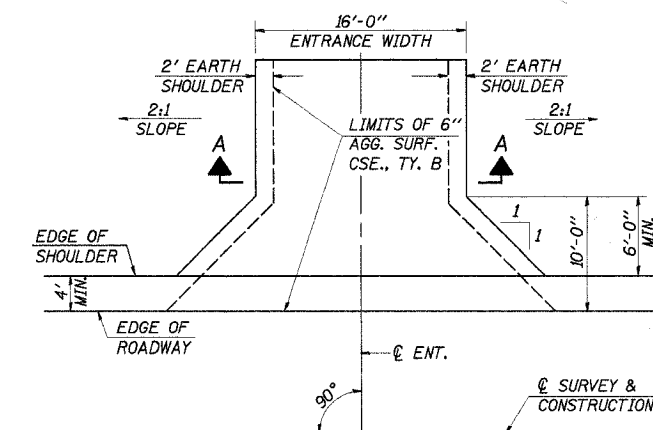
**TYPICAL PROPOSED CROSS SECTION**

STA. 12+00 TO STA. 19+00  
 ROAD CLASSIFICATION: LOCAL ROAD ADT 0-250  
 CURRENT ADT LESS THAN 150

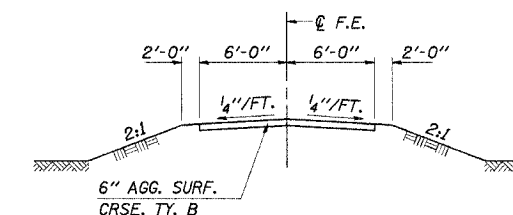
TRANSITION FROM EXISTING ROADWAY TO PROPOSED ROADWAY TO BE CONSTRUCTED FROM STA. 11+50 TO STA. 12+00 AND FROM STA. 19+00 TO STA. 19+50.



**EXISTING TYPICAL CROSS SECTION**



**FIELD ENTRANCE DETAIL**



**SECTION A-A**

**INDIVIDUAL TREE REMOVAL SCHEDULE**

TREE	LOCATION	INCH DIAMETER
A	22' LT. STA. 14+64	36"
B	33' LT. STA. 15+36	18"
C	28' LT. STA. 15+60	18"
D	26' RT. STA. 16+95	8"
E	26' RT. STA. 16+98	6"
F	26' RT. STA. 17+08	10"
G	26' RT. STA. 17+24	10"
H	26' RT. STA. 17+33	8"
I	26' RT. STA. 17+41	8"
J	26' RT. STA. 17+48	10"
K	26' RT. STA. 17+57	12"
L	26' RT. STA. 15+64	12"
M	26' RT. STA. 17+79	12"
N	26' RT. STA. 17+89	6"
O	26' RT. STA. 18+28	6"
P	26' RT. STA. 18+35	8"
Q	27' RT. STA. 18+65	12"
R	27' RT. STA. 18+73	10"
S	27' RT. STA. 18+80	8"
T	27' RT. STA. 19+10	8"
U	27' RT. STA. 19+17	10"
V	27' RT. STA. 19+24	10"
W	27' RT. STA. 19+31	10"
X	27' RT. STA. 19+38	10"
Y	27' RT. STA. 19+46	10"

TREE REMOVAL (6 TO 15 UNITS DIAMETER) = 204 UNITS DIAMETER  
 TREE REMOVAL (OVER 15 UNITS DIAMETER) = 72 UNITS DIAMETER

Added 5/22/07

**SUMMARY OF QUANTITIES, GENERAL NOTES AND TYPICAL CROSS SECTION**

SECTION 06-05132-00-BR  
 EMBARRASS ROAD DISTRICT  
 EDGAR COUNTY  
 STA. 15+00

4440 ASH GROVE  
 SPRINGFIELD, IL 62711  
 (217) 793-8600  
 www.fehr-graham.com

**FEHR-GRAHAM & ASSOCIATES, LLC**  
 ENGINEERING AND SCIENCE CONSULTANTS  
PREPARED BY: MICHAEL R. SCHMIDT, P.E. REGISTERED IN SPRINGFIELD, IL

DRAWN: S.A.P.  
 DATE: 05/11/06

CHECKED: G.J.C.  
 DATE: 05/18/06

JOB NO.: 46802  
 FILE: 46802SUMTYP.DGN  
 DATE: 05/15/07