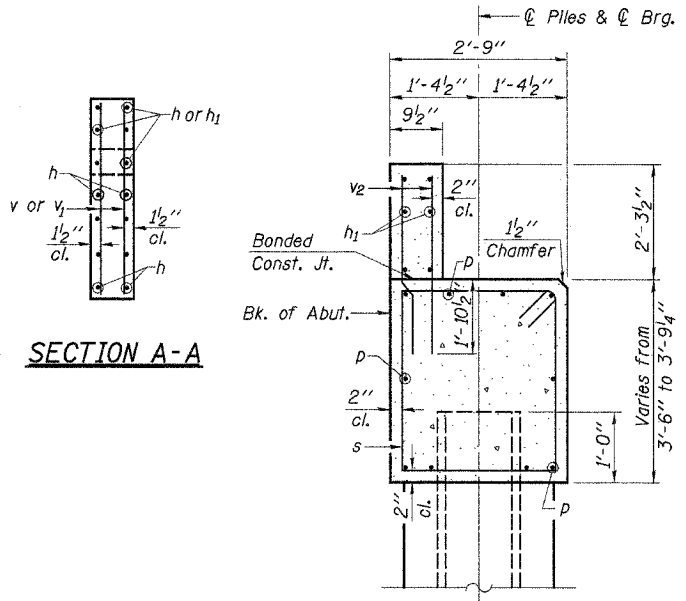
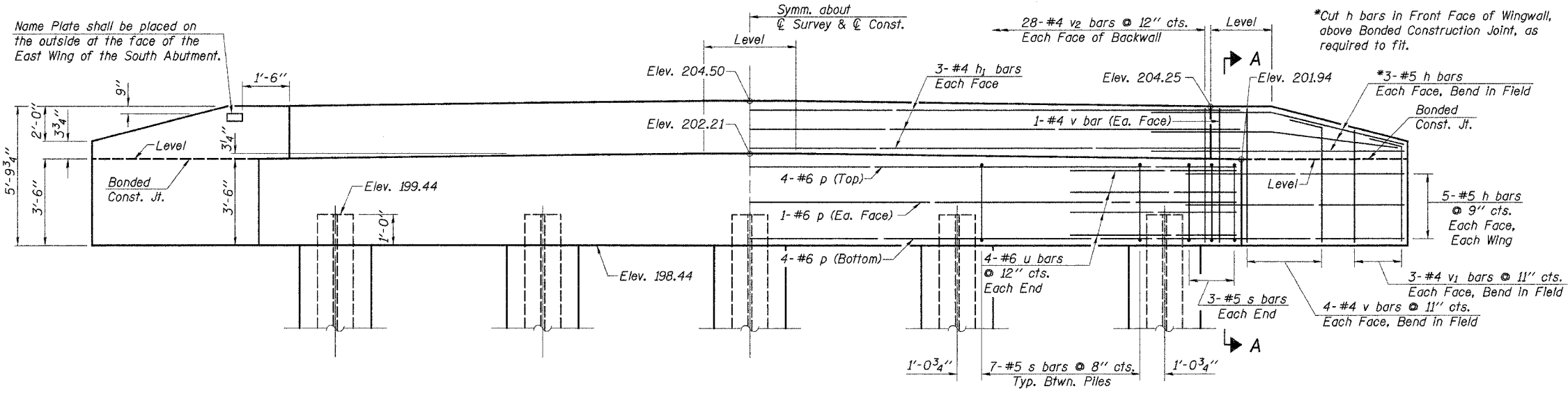
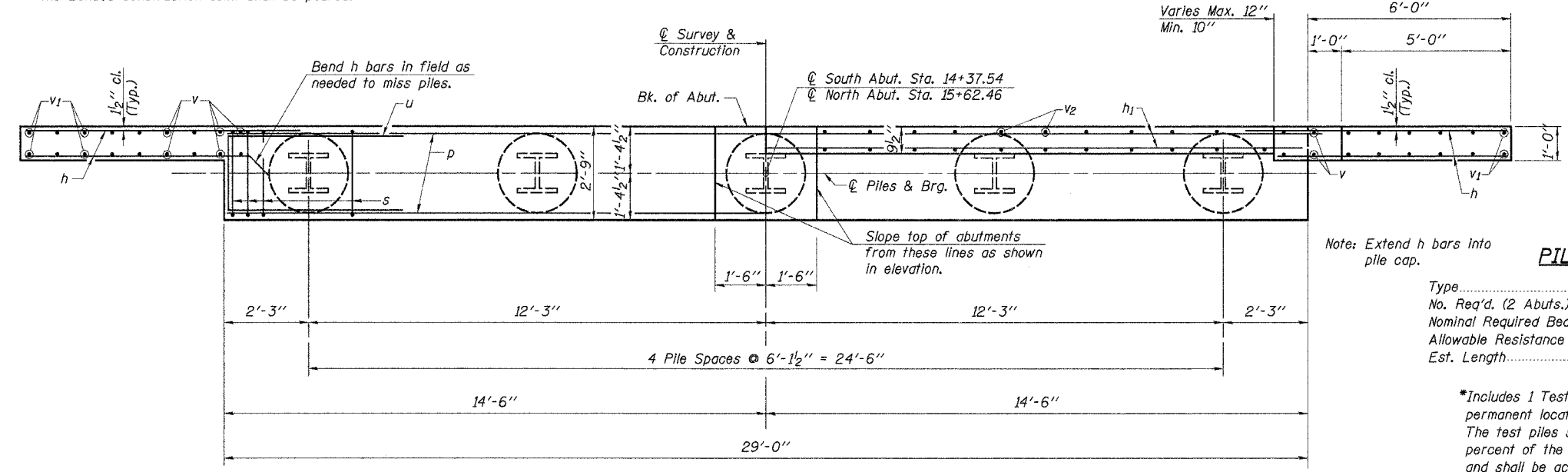


ROUTE NO.	SECTION	COUNTY	TOTAL SHEETS	SHEET NO.
T.R. 60	06-05132-00-BR	EDGAR	15	7
ROAD DIST.	ILLINOIS		EMBARRASS	
CONTRACT NO. 91374				



Note: After beams are in place and dowel rods grouted, the backwall and the portions of the wingwalls above the Bonded Construction Joint shall be poured.



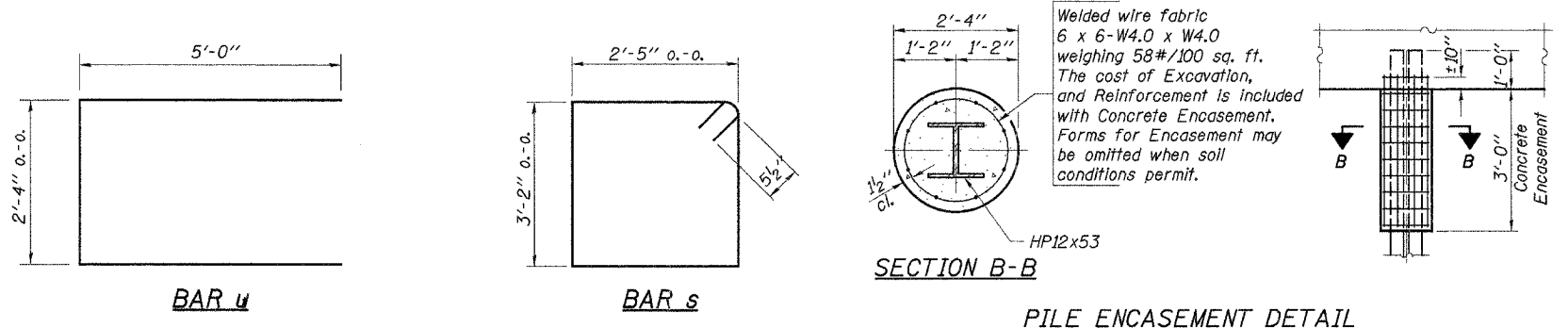
PILE DATA

Type..... Steel HP12x53
 No. Req'd. (2 Abuts.)..... 10*
 Nominal Required Bearing..... 264 Kips/Pile
 Allowable Resistance Available..... 88 Kips/Pile
 Est. Length..... 25 Feet/Pile S. Abut.
 34 Feet/Pile N. Abut.

*Includes 1 Test Pile to be driven in a permanent location at Each Abutment
 The test piles shall be driven to 110 percent of the Nominal Required Bearing and shall be according to AASHTO M270 Grade 50.

**2 ABUTMENTS
 BILL OF MATERIAL**

Bar	No.	Size	Length	Shape
h	64	#5	7'-3"	—
h ₁	12	#4	30'-0"	—
p	20	#6	28'-8"	—
s	68	#5	12'-1"	□
u	16	#6	12'-4"	—
v	40	#4	5'-6"	—
v ₁	24	#4	4'-6"	—
v ₂	112	#4	4'-0"	—
Concrete Structures	Cu. Yd.	30.0		
Reinforcement Bars	Pound	3,260		
Name Plates	Each	1		
Test Pile Steel HP12x53	Each	2		
Steel Piles HP12x53	Foot	236		
Concrete Encasement	Cu. Yd.	4.8		



DESIGNED	F.J.S.
CHECKED	A.R.K.
DRAWN	S.A.P.
CHECKED	A.R.K. & F.J.S.

ABUTMENTS

SECTION 06-05132-00-BR
 EMBARRASS ROAD DISTRICT
 EDGAR COUNTY
 STATION 15+00

4440 ASH GROVE
 SPRINGFIELD, IL 62711
 (217) 793-8600
 www.fehr-graham.com

FEHR-GRAHAM & ASSOCIATES, LLC
 ENGINEERING AND SCIENCE CONSULTANTS

JOB NO.: 46802
 FILE: 46802ABUT.DGN
 DATE: 01/24/07