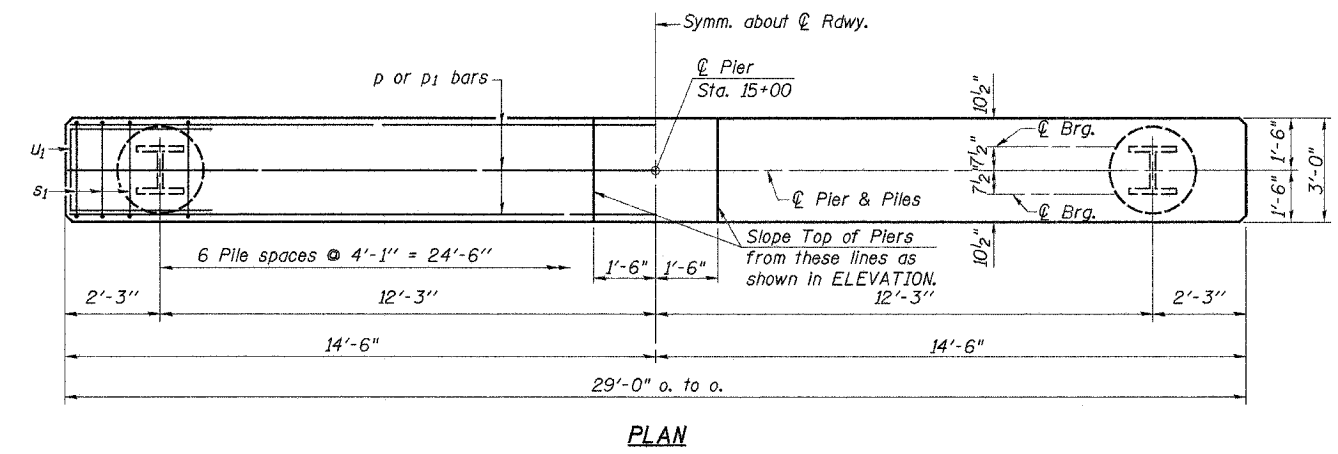
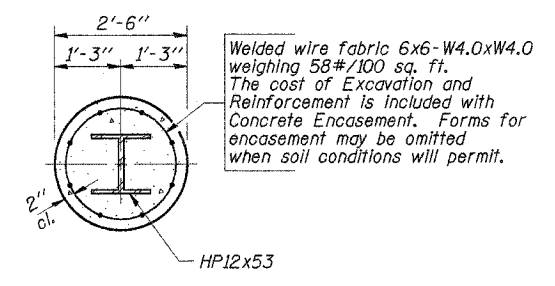


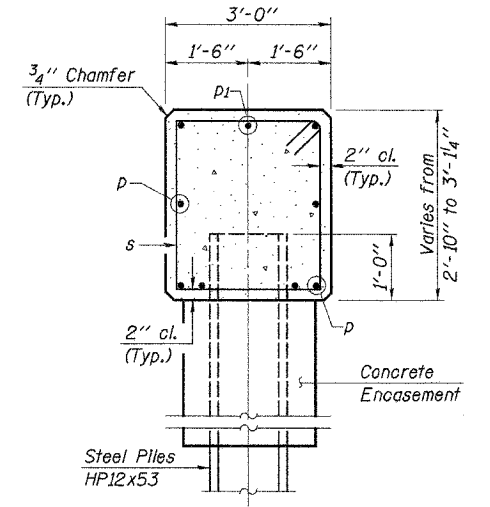
ROUTE NO.	SECTION	COUNTY	TOTAL SHEETS	SHEET NO.
T.R. 60	06-05132-00-BR	EDGAR	15	8
ROAD DIST.	ILLINOIS		EMBARRASS	
CONTRACT NO. 91374				



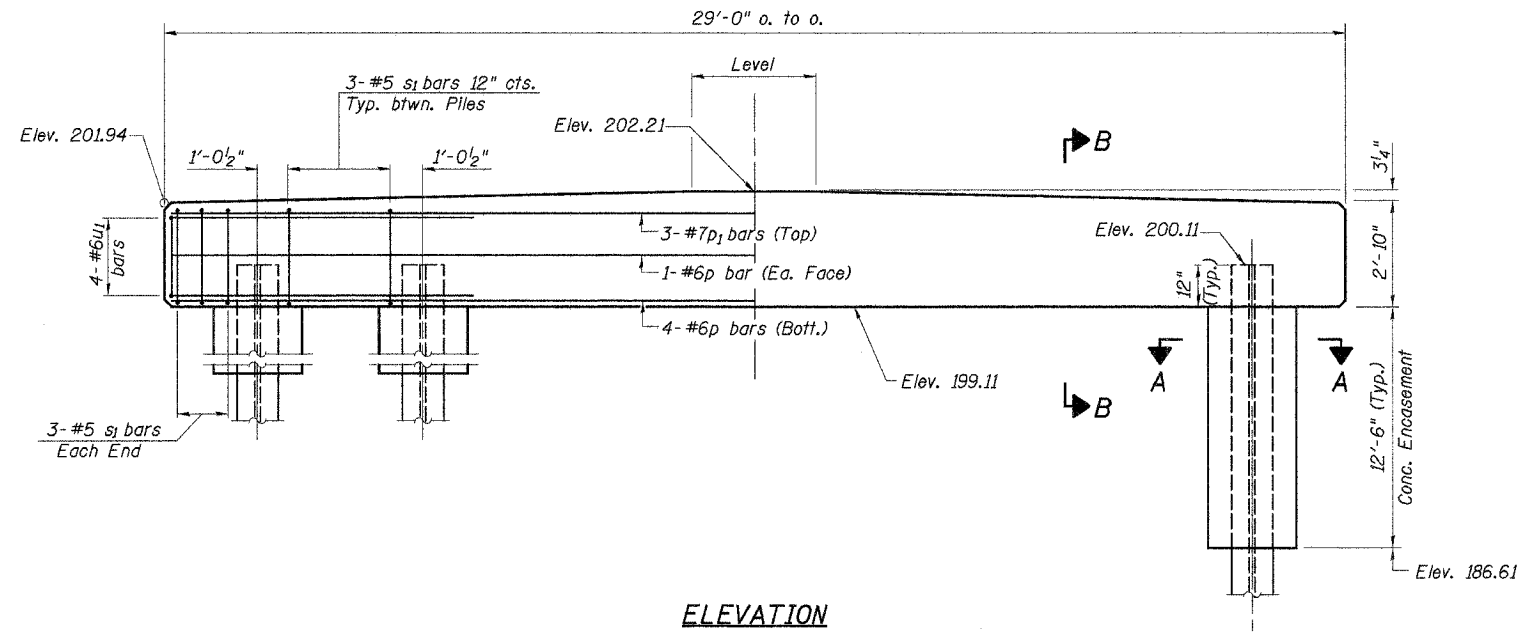
**PLAN**



**SECTION A-A  
PILE ENCASEMENT DETAIL**



**SECTION B-B**



**ELEVATION**

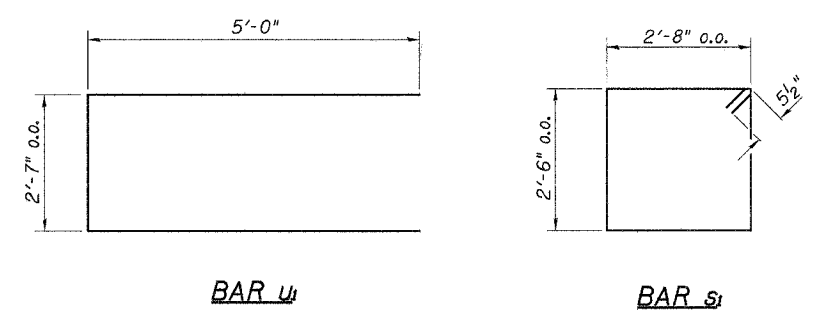
**PILE DATA**

Type.....	Steel HP12x53
No. Req'd. (2 Abuts.).....	7*
Nominal Required Bearing.....	324 Kips/Pile
Allowable Resistance Available.....	108 Kips/Pile
Est. Length.....	36 Feet/Pile

\*Includes 1 Test Pile to be driven in a permanent location at the pier. The test piles shall be driven to 110 percent of the Nominal Required Bearing and shall be according to AASHTO M270 Grade 50.

**BILL OF MATERIAL - PIER**

BAR	NO.	SIZE	LENGTH	SHAPE
p	6	#6	28'-8"	—
p1	3	#7	28'-8"	—
s1	24	#5	11'-3"	□
u1	8	#6	12'-7"	—
Concrete Structures			Cu. Yd.	9.6
Reinforcement Bars			Pound	870
Steel Piles HP12x53			Foot	2.16
Test Pile Steel HP12x53			Each	1
Concrete Encasement			Cu. Yd.	15.9



**BAR U1**

**BAR S1**

DESIGNED	F.J.S.
CHECKED	A.R.K.
DRAWN	S.A.P.
CHECKED	A.R.K. & F.J.S.

**PIER**

SECTION 06-05132-00-BR  
EMBARRASS ROAD DISTRICT  
EDGAR COUNTY  
STATION 15+00

4440 ASH GROVE SPRINGFIELD, IL 62711 (217) 793-8600 www.fehr-graham.com	<b>FEHR-GRAHAM &amp; ASSOCIATES, LLC</b> ENGINEERING AND SCIENCE CONSULTANTS MEMPHIS, MISSOURI, MOBILE, ALABAMA, SPRINGFIELD, ILLINOIS	JOB NO.: 46802 FILE: 46802PIER.DGN DATE: 01/24/07
--	--	---