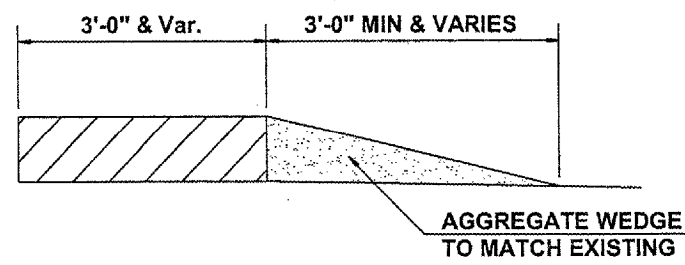
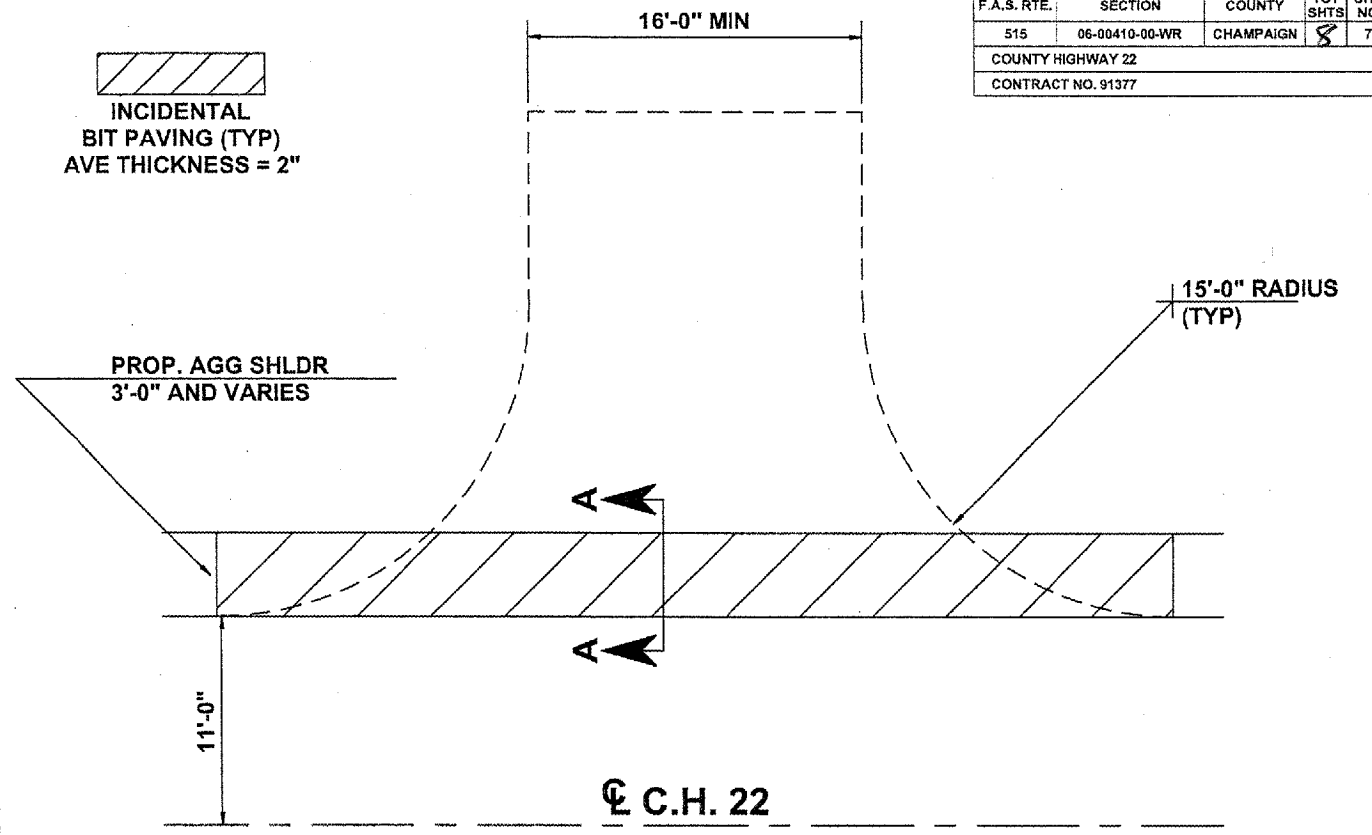


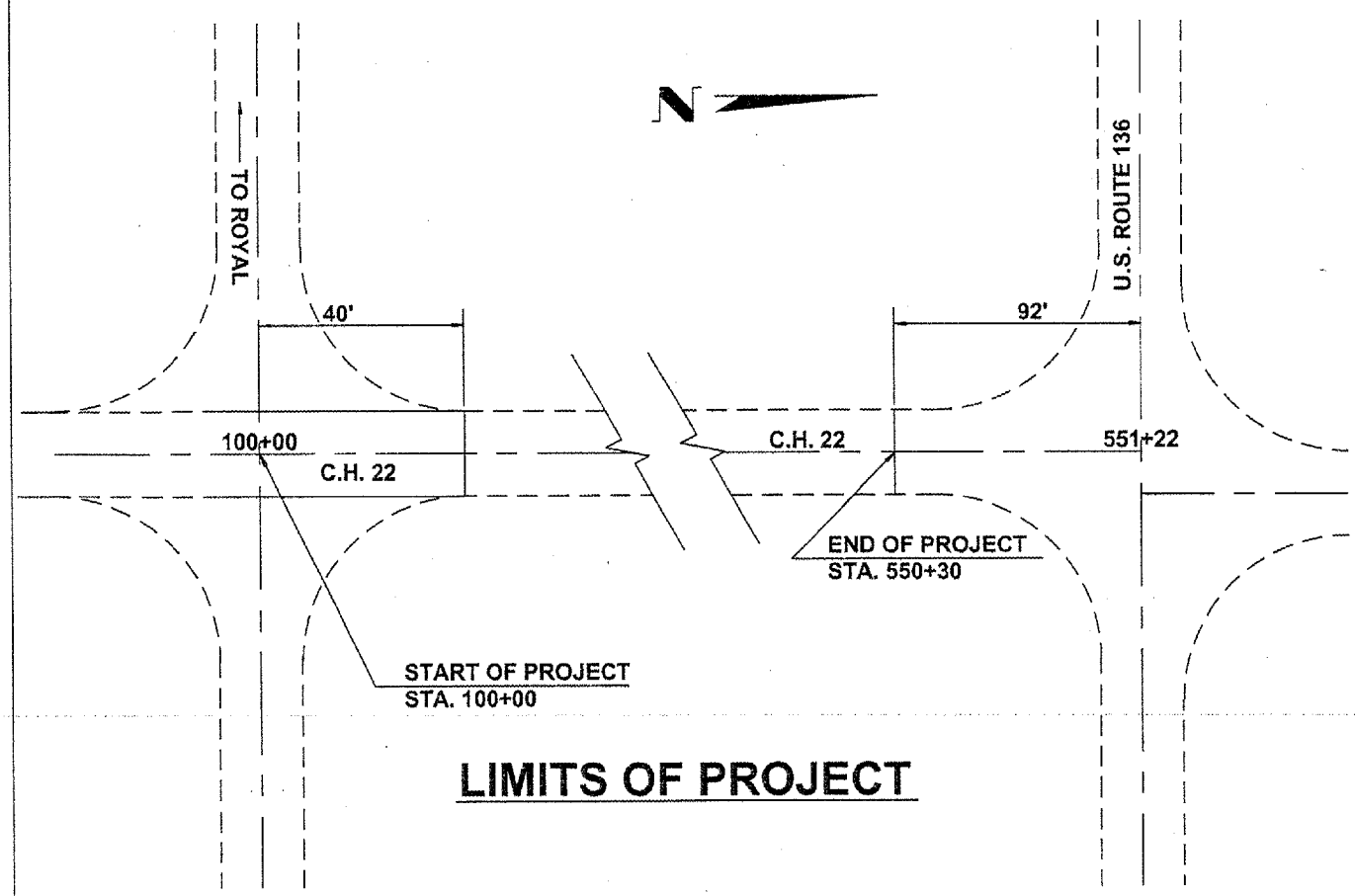
F.A.S. RTE.	SECTION	COUNTY	TOT SHTS	SHT NO
515	06-00410-00-WR	CHAMPAIGN	8	7
COUNTY HIGHWAY 22				
CONTRACT NO. 91377				



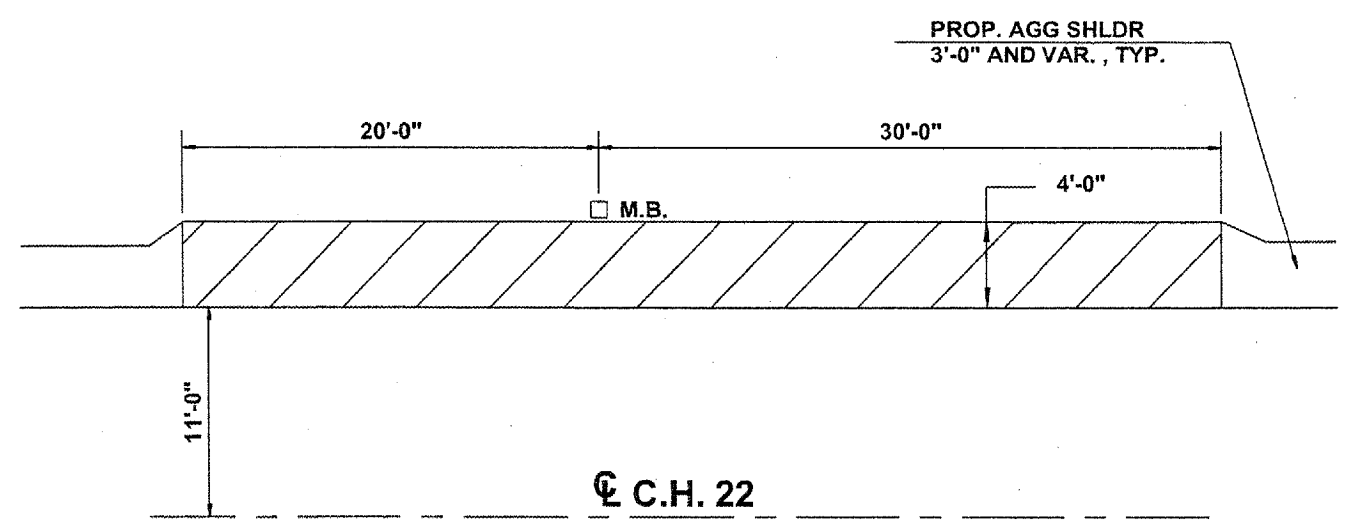
**SECTION A-A**



**FIELD ENTRANCE DETAIL**  
TOTAL = 44 EACH



**LIMITS OF PROJECT**



**MAILBOX TURNOUT (ISOLATED)**