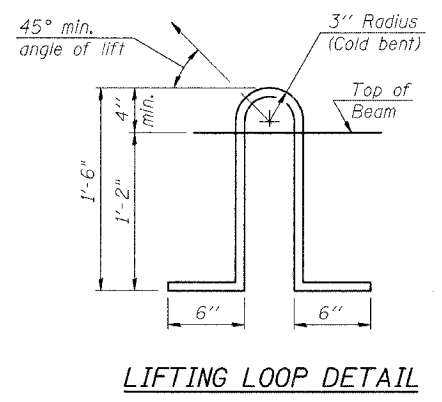
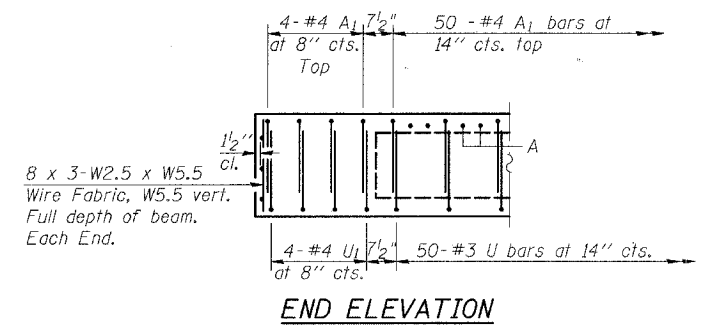
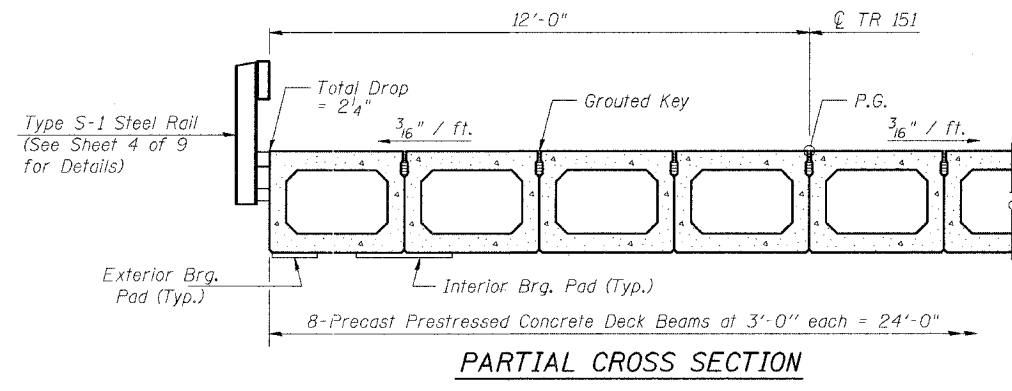
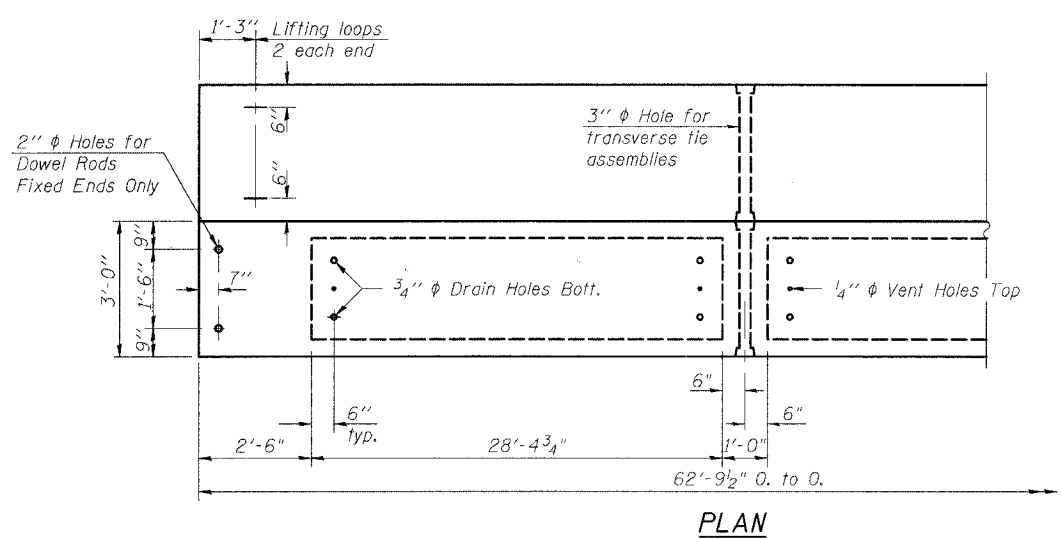
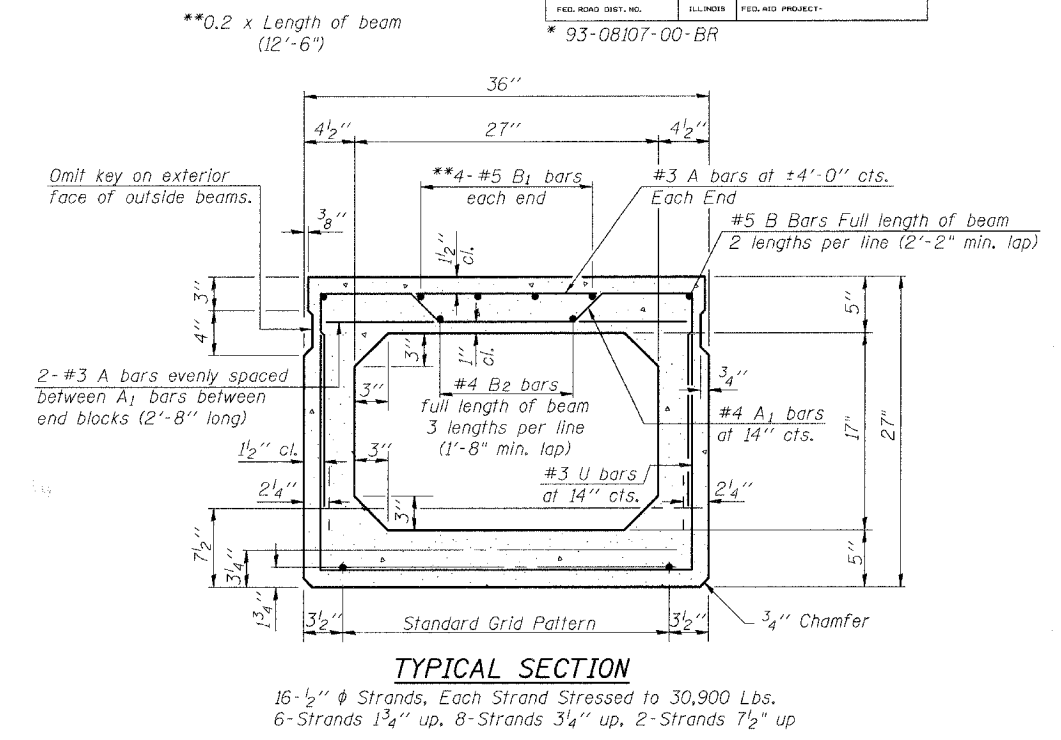
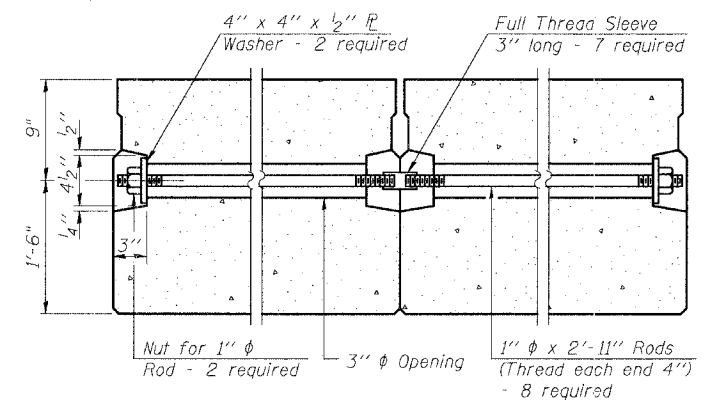
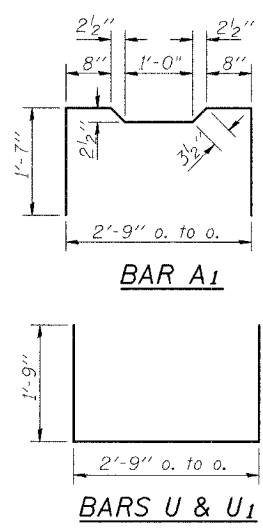
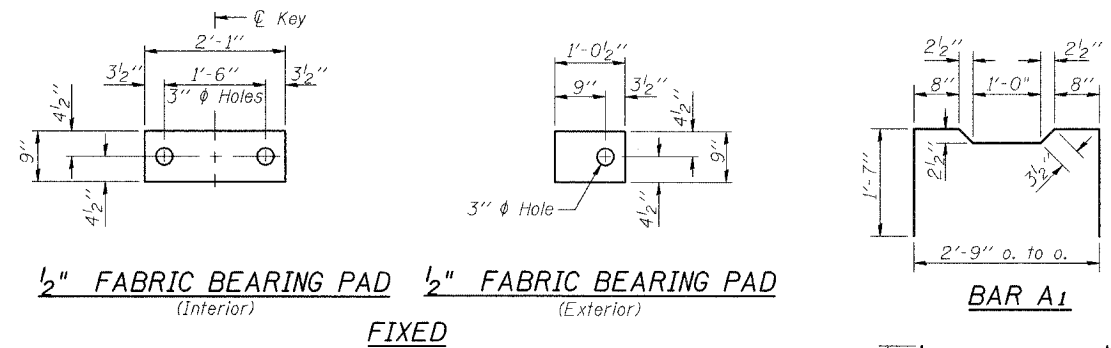


STATE OF ILLINOIS
DEPARTMENT OF TRANSPORTATION

ROUTE NO.	SECTION	COUNTY	TOTAL SHEETS	SHEET NO.
TR 151	*	CHRISTIAN	20	6
FED. ROAD DIST. NO.		ILLINOIS		FED. AID PROJECT-
		* 93-08107-00-BR		

SHEET NO. 2
9 SHEETS



NOTES
Prestressing steel shall be uncoated high strength, low relaxation 7-wire strand, Grade 270. The nominal diameter shall be 1/2" and the nominal cross-sectional area shall be 0.153 sq. in. Lifting loops shall be 2 - 1/2" ϕ -270 ksi strands, as shown.
The 1" ϕ rods in the transverse tie assembly shall be tightened to a snug fit and the threads set. Pockets that receive transverse tie bar on outside shall be filled with grout after transverse tie assembly is in place.
Non prestressing steel shall conform to AASHTO M-31, or M-322 Grade 60.
The bearing seat surfaces shall be adjusted by shimming to assure firm and even bearing. Two 1/2" fabric adjusting shims of the dimensions of the Exterior Bearing Pad shall be provided for each bearing.
Keyway surfaces shall be cleaned to remove form oil or other bond breaking material prior to shipment of the beams. Cleaning shall be done by sandblasting the keyway areas between top of the beam and the bottom edge of the key.
Corrosion Inhibitor, as covered in the Special Provisions, shall be used in the concrete for precast prestressed concrete deck beams.
Required Release Strength, f'ci, shall be 4,000 p.s.i.
Rail Post Anchor Device shall be cast into exterior face of outside beams as shown on Bridge sheet 4 of 9.

BILL OF MATERIAL

Bar	No.	Size	Length	Shape
A	106	#3	2'-8"	—
A1	58	#4	6'-1"	U
B	4	#5	32'-5"	—
B1	8	#5	12'-6"	—
B2	6	#4	22'-0"	—
U	50	#3	6'-3"	U
U1	8	#4	6'-3"	U
Precast Prestressed Conc. Deck Bms. (27" Depth)				Sq. Ft. 1507

Bar quantities are for 1 beam and are for information only.

REVISIONS	
NAME	DATE

ILLINOIS DEPARTMENT OF TRANSPORTATION
SPAN 1
SUPERSTRUCTURE DETAILS
TR 151 OVER BRUSHY BRANCH CREEK
SECTION 93-08107-00-BR
CHRISTIAN COUNTY
STATION 20+00.00
S.N. 011-3405

SCALE: VERT. _____
HORIZ. _____
DATE: 4/8/06

DRAWN BY: LANDREY
DESIGNED BY: MATHUR
CHECKED BY: TRELLO

GREENE & BRADFORD, INC.
REGISTERED PROFESSIONAL ENGINEERS
OF ILLINOIS
PROJECT NO. 93-08107-00-BR
DATE: 4/8/06

COMPUTER FILE NO.
SN0113405:02
PROJECT 05228
6/27/06-MML

FILE NAME = J:\05228 DRAWINGS\SN0113405\SN0113405.dgn
PLOT DATE = 04/08/2006
PLOT TIME = 2:03:59 PM
OPERATOR = mitchell