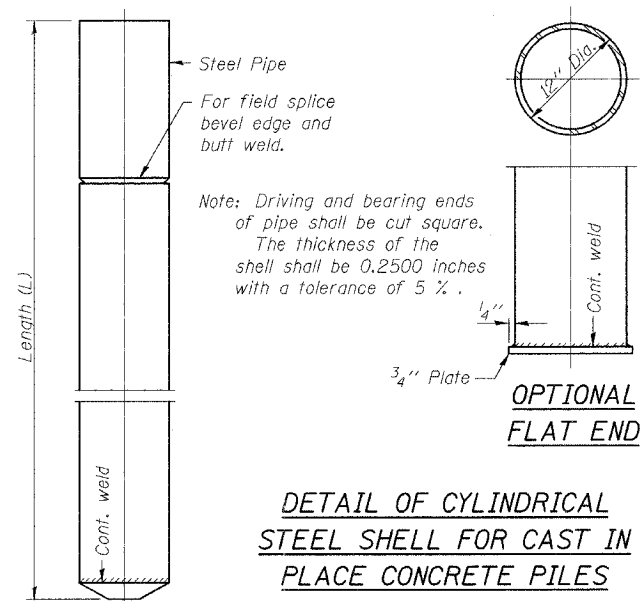
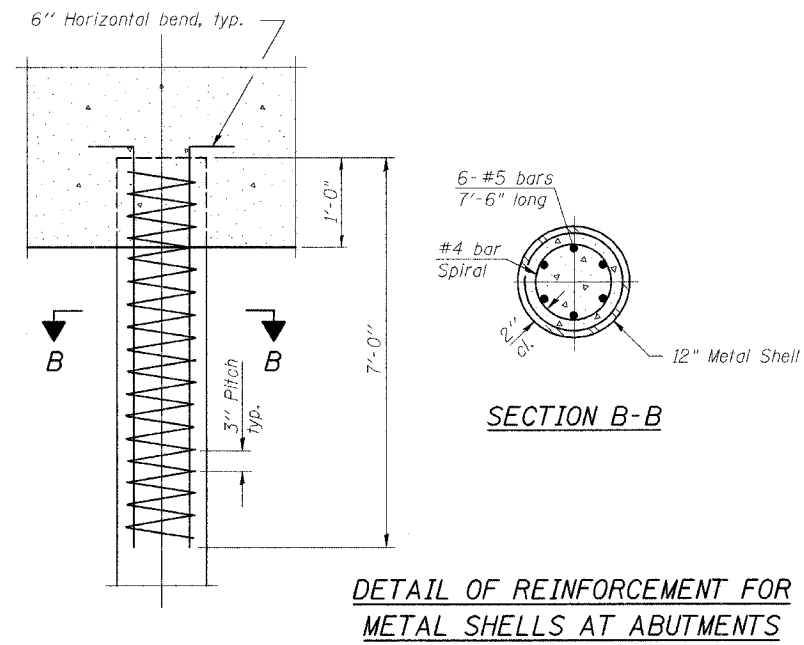


STATE OF ILLINOIS
DEPARTMENT OF TRANSPORTATION

ROUTE NO.	SECTION	COUNTY	TOTAL SHEETS	SHEET NO.	SHEET NO. 7 9 SHEETS
TR 151	#	CHRISTIAN	20	11	
FED. ROAD DIST. NO.	ILLINOIS	FED. AID PROJECT-	* 93-08107-00-BR		



REVISIONS	
NAME	DATE

ILLINOIS DEPARTMENT OF TRANSPORTATION

CONCRETE PILE DETAILS

TR 151 OVER BRUSHY BRANCH CREEK
SECTION 93-08107-00-BR
CHRISTIAN COUNTY
STATION 20+00.00
S.N. 011-3405

SCALE: VERT. DRAWN BY: LANDREY
 HORIZ. DESIGNED BY: MATHUR
DATE: 4/8/06 CHECKED BY: TRELLO

GREENE & BRADFORD, INC.
OF SPRINGFIELD
CONSULTING ENGINEERS
PROFESSIONAL ENGINEERING CORPORATION
217-538-8844, 217-538-8277, FAX: 217-538-8844

COMPUTER FILE NO. SN0113405:07
PROJECT 05228
6/27/06-MML

FILE NAME = J:\05228\DRAWINGS\SN0113405\SN0113405.dwg
PLOT SCALE = 1/8"=1'-0"
PLOT DATE = 8/14/2006
PLOT TIME = 2:06:22 PM
OPERATOR = mitchell