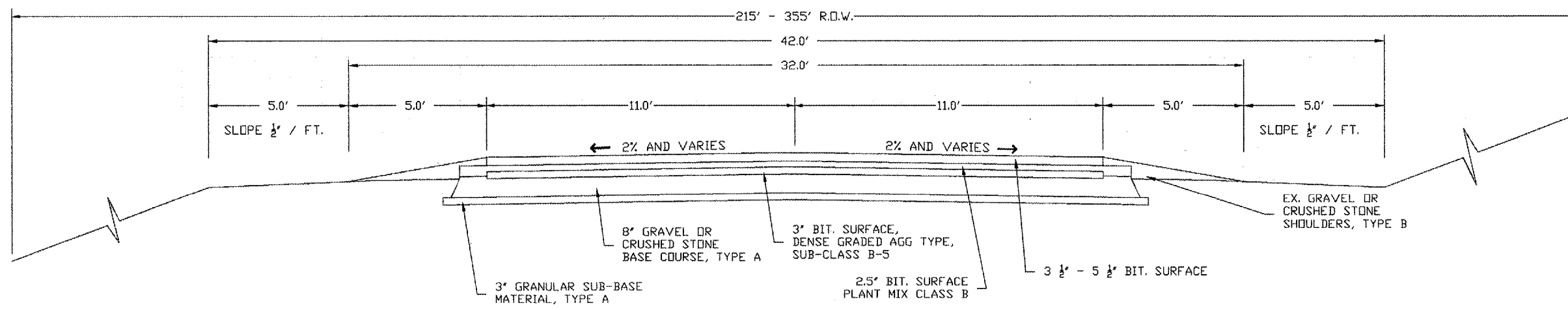
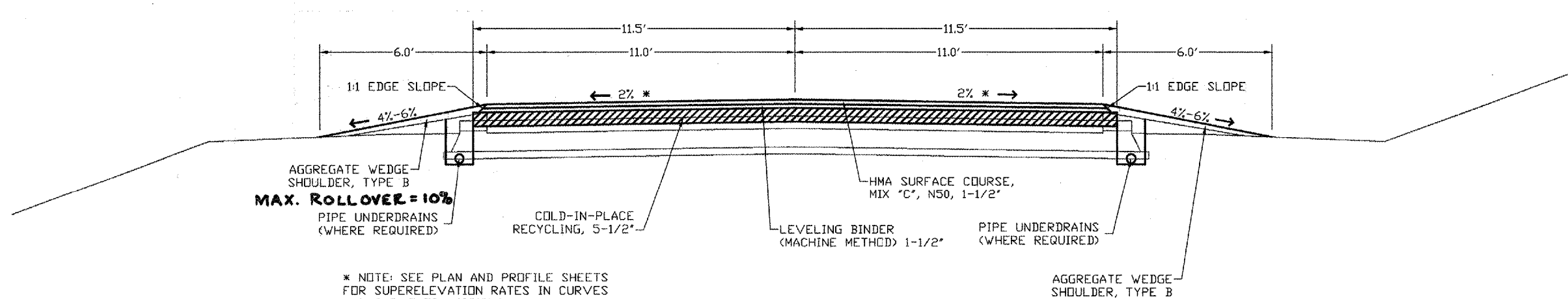


ROUTE	FEPA PROJECT NO.	SECTION	COUNTY	SHEET NO.	TOTAL SHEETS
FAS-1600	R-01-023	05-00012-00-RS	HANCOCK	7	43

TYPICAL CROSS-SECTIONS



EXISTING TYPICAL SECTION
 STATION 69+00 - 109+48.56



* NOTE: SEE PLAN AND PROFILE SHEETS FOR SUPERELEVATION RATES IN CURVES AND CURVE TRANSITIONS.

PROPOSED TYPICAL SECTION
 STATION 69+00 - 76+00
 STATION 101+00 - 109+48.56