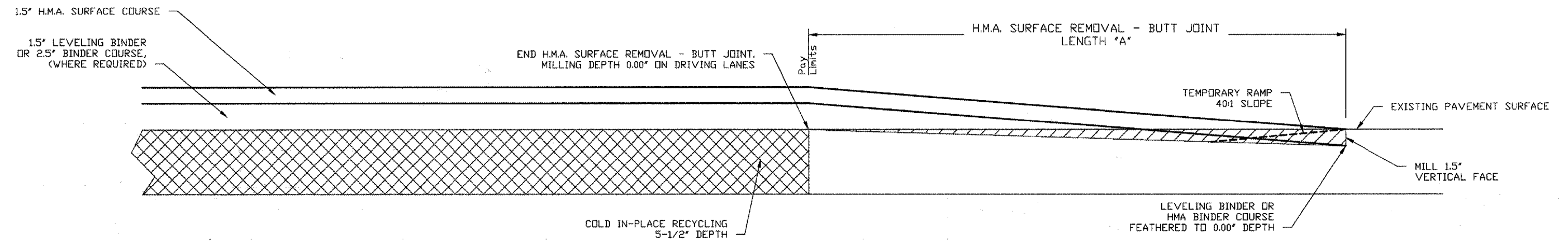
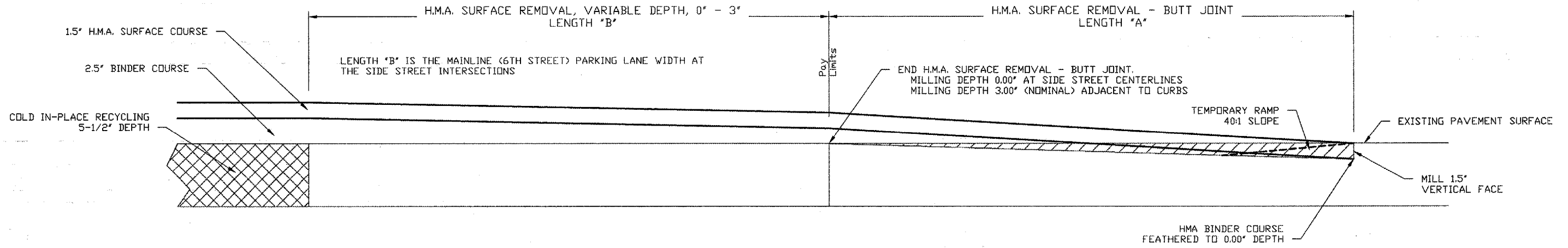


ROUTE	PROJECT NO.	SECTION	COUNTY	SHEET NO.	TOTAL SHEETS
FAS-1600	R-01-023	05-00012-00-RS	HANCOCK	10	43

DETAIL DRAWINGS - BUTT JOINTS



BUTT JOINT DETAIL - LONGITUDINAL SECTION AT CENTERLINE
 MAINLINE WARSAW-HAMILTON ROAD (6TH STREET)
 SIDE STREET INTERSECTIONS - TRANSVERSE TO MAINLINE CENTERLINE:
 COLLEGE HILL ROAD
 DALLAS STREET
 FIFTH STREET
 OLD DISTILLERY ROAD



BUTT JOINT DETAIL - LONGITUDINAL SECTION AT CENTERLINE
 SIDE STREET INTERSECTIONS - TRANSVERSE TO MAINLINE CENTERLINE
 CLAY STREET
 JACKSON STREET

TABULATION OF BUTT JOINT CONSTRUCTION												
STATION	SIDE	STREET NAME	LENGTH "A" (FT)	LENGTH "B" (FT)	WIDTH (FT)	BUTT JOINT AREA (SY)	TEMP RAMP AREA (SY)	BIT PRIME COAT (GAL)	AGG PRIME COAT (TON)	LEVELING BINDER (TON)	HMA BINDER COURSE (TON)	HMA SURFACE COURSE (TON)
0+22.79	CL	WARSAW-HAMILTON ROAD (6TH ST)	25		39.9'-85.5'	140.1	19.4	14	0.28		9.81	11.77
2+21.83	L	CLAY STREET	30	7.6	33.7'-68.7'	127.6	13.9	13	0.26		8.93	10.72
2+26.71	R	CLAY STREET	30	6.7	29.6'-62.3'	109.0	13.9	11	0.22		7.63	9.16
5+95.39	L	JACKSON STREET	33	6.9	37.2'-70.8'	152.8	13.9	15	0.31		10.70	12.84
5+95.41	R	JACKSON STREET	33	6.9	38.4'-72.1'	153.6	13.9	15	0.31		10.75	12.90
13+17.91	R	COLLEGE HILL ROAD	20		32.4'-88.6'	118.3	13.9	12	0.24		8.28	9.94
22+05.48	L	DALLAS STREET	20		34.6'-75.7'	119.5	13.9	12	0.24		8.37	10.04
32+09.79	L	FIFTH STREET	10		32.7'-55.3'	48.0		5	0.10		3.36	4.03
60+84.82	L	OLD DISTILLERY RD	20		17.9'-42.6'	61.0	9.9	6	0.12		4.27	5.12
109+48.56	CL	WARSAW-HAMILTON ROAD	35		22.0'	85.6	12.8	9	0.17	3.60		7.19
PROJECT TOTAL:						1,115.5	125.5	112	2.25	3.60	72.10	93.71
USE:						1,116	126	SEE MAINLINE PAVING TABULATION				