

ROUTE	SECTION	COUNTY	TOTAL SHEETS	SHEET NO.
F.A.S.1746	*	MONTGOMERY	11	9
PROJECT * 03-00122-00-BR				

**NOTES**

All exposed concrete edges shall have standard 3/4" chamfer except as noted.  
Space reinforcement in pier caps to miss beam anchor dowels.

**MIN. BAR LAPS**

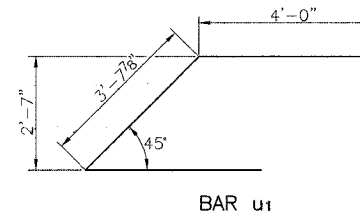
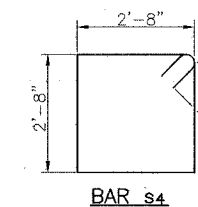
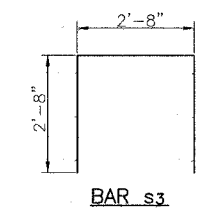
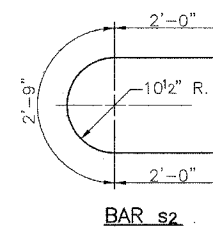
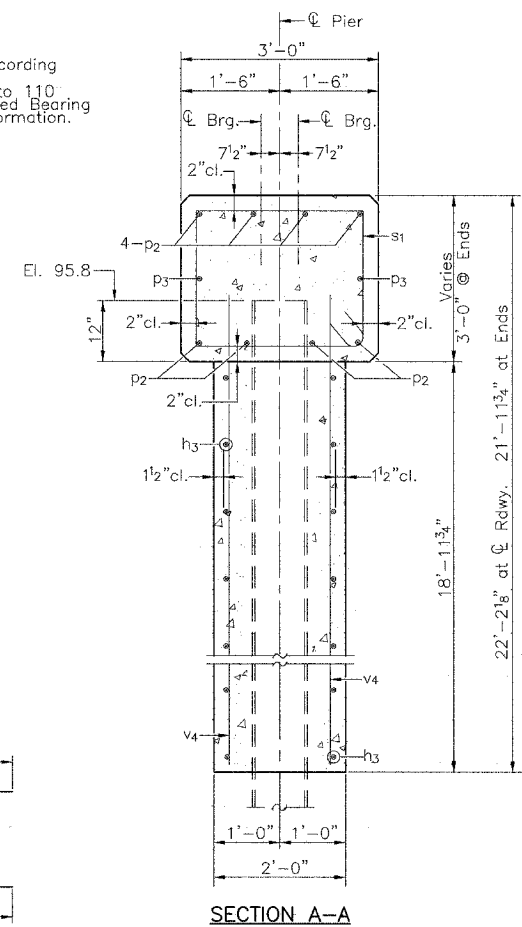
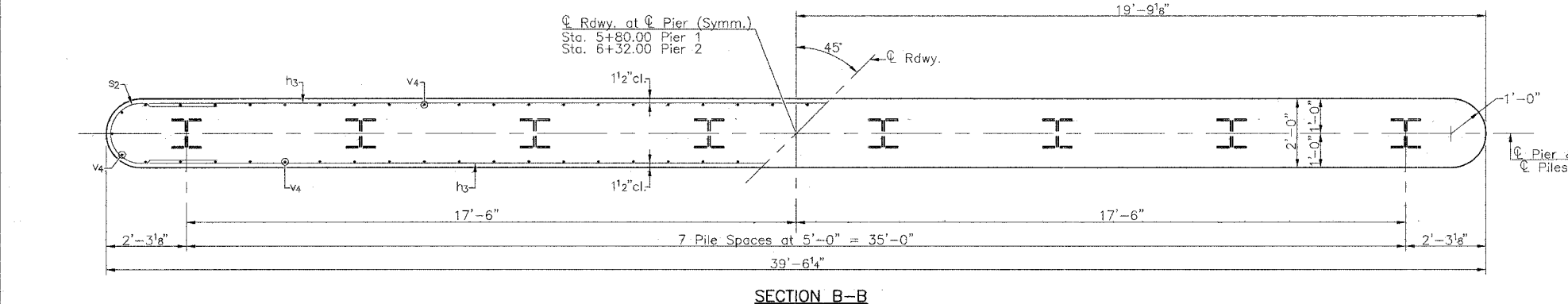
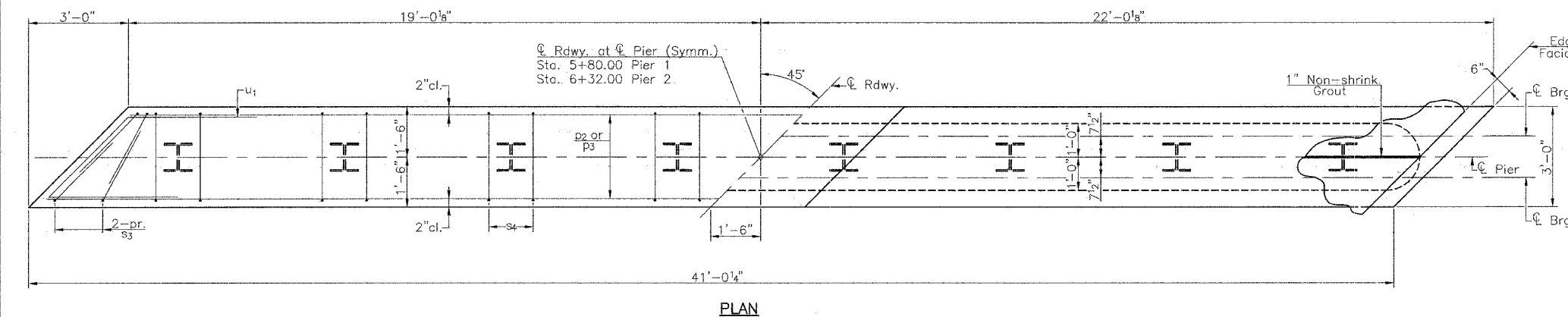
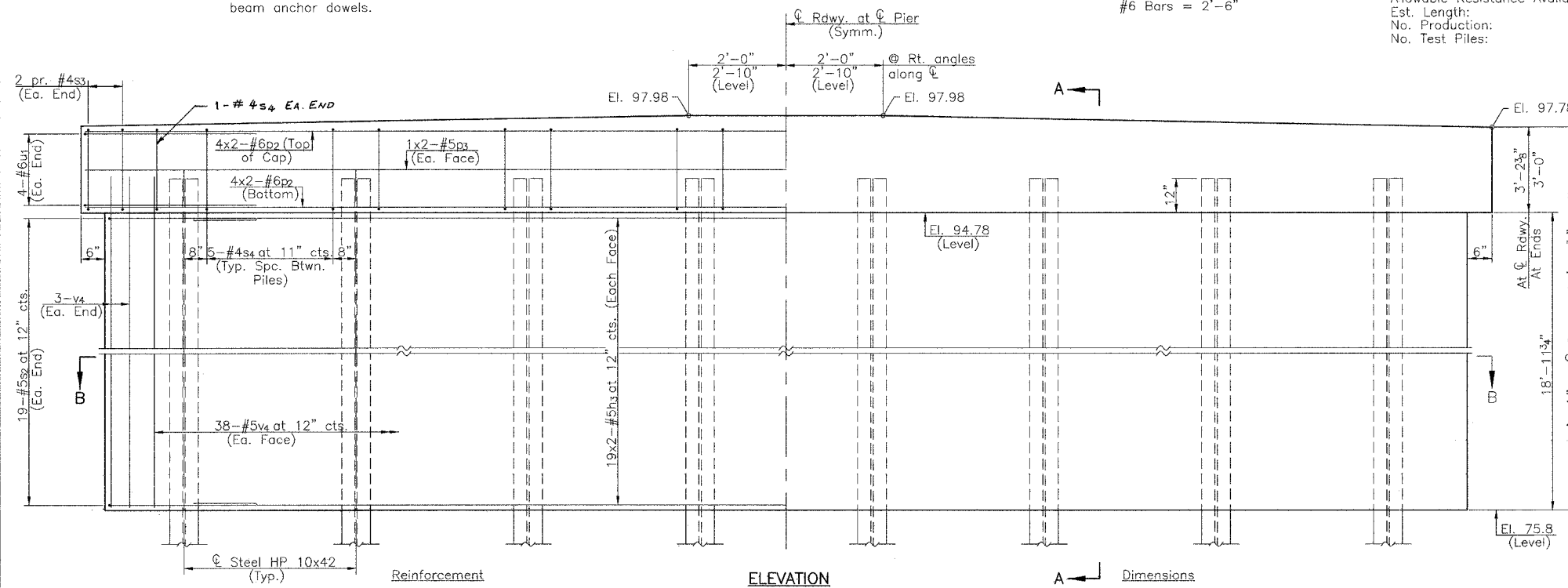
#5 Bars = 2'-2"  
#6 Bars = 2'-6"

Type:  
Nominal Required Bearing: 335 Kips  
Allowable Resistance Available: 111 Kips  
Est. Length: 36'  
No. Production: 7  
No. Test Piles: 1

**PILE DATA**

Pier 1	Pier 2
Steel HP 10x42	Steel HP 10x42
335 Kips	335 Kips
111 Kips	111 Kips
36'	29'
7	8
1	0

Note: The Steel H-Piles shall be according to AASHTO M270 Grade 50. The Test Pile shall be driven to 110 percent of the Nominal Required Bearing indicated on the pile data information.



**TWO PIERS BILL OF MATERIAL**

BAR	NO.	SIZE	LENGTH	SHAPE
h3	152	#5	20'-0"	—
P2	32	#6	21'-9"	—
P3	8	#5	21'-9"	—
s2	76	#5	6'-9"	U
s3	16	#4	8'-0"	□
s4	74	#4	11'-5"	□
u1	16	#6	11'-8"	—
v4	164	#5	20'-6"	—
Concrete Structures			Cu. Yd.	138.2
Reinforcement Bars			Pound	9370
Furnishing Steel Piles HP 10x42			Foot	484
Driving Piles			Foot	484
Test Pile Steel HP 10x42			Each	1
Underwater Structure Excavation Protection- Location 1 (Pier 1)			Each	1
Underwater Structure Excavation Protection- Location 2 (Pier 2)			Each	1
Structure Excavation			Cu. Yd.	59

PIERS  
F.A.S. 1746 (COFFEEN ROAD)  
OVER EAST FORK SHOAL CREEK  
SECTION 03-00122-00-BR  
MONTGOMERY COUNTY