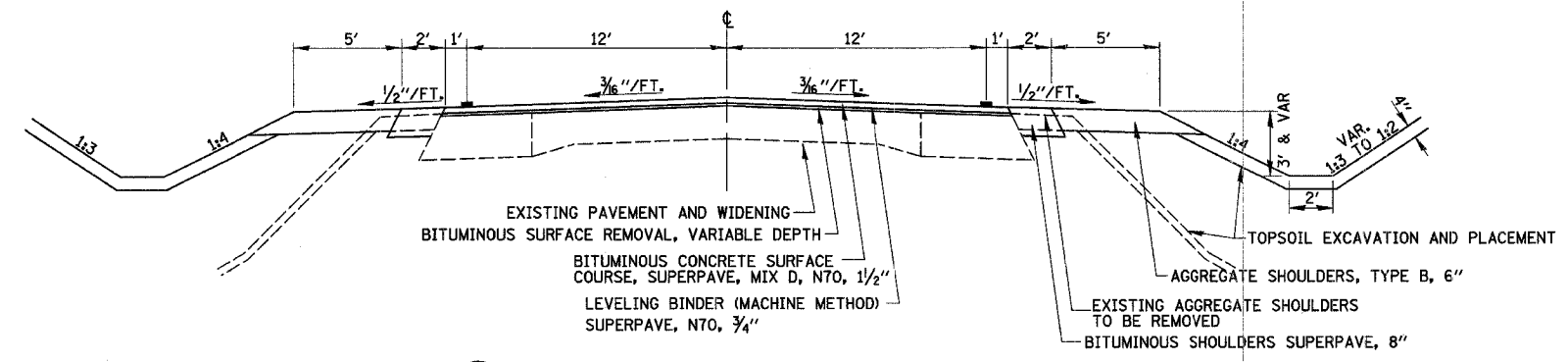
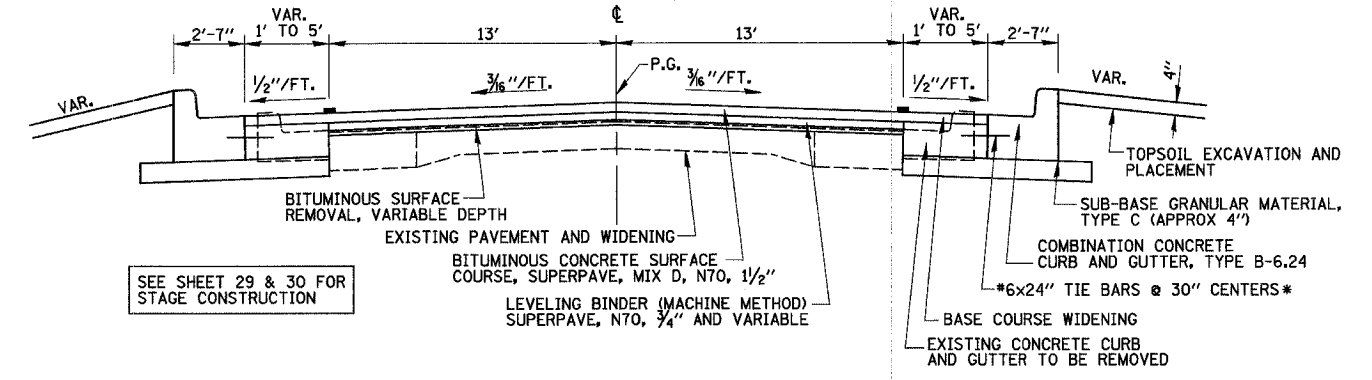


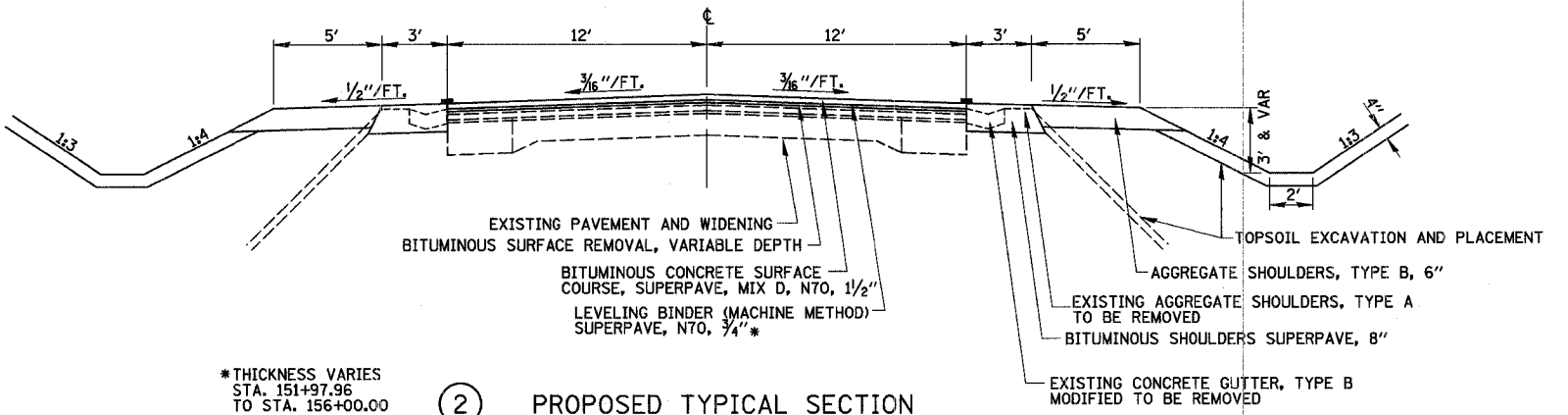
F.A.P. RTE.	SECTION	COUNTY	TOTAL SHEETS	SHEET NO.
95	(6,7)Y, RS-1, 6B-1, 7B-1 & 7BR-2	EFFINGHAM	409	8
FED. ROAD DIST. NO. 7 ILLINOIS FED. AID PROJECT				
CONTRACT NO. 94356				



① PROPOSED TYPICAL SECTION
 STA. 160+00.00 TO STA. 187+00.00 LT
 STA. 160+00.00 TO STA. 187+50.00 RT
 STA. 197+20.00 TO STA. 218+50.00
 STA. 223+00.00 TO STA. 244+50.00
 STA. 249+50.00 TO STA. 271+00.00
 STA. 276+50.00 TO STA. 305+16.00
 STA. 323+82.08 TO STA. 325+50.00
 STA. 329+00.00 TO STA. 338+30.37
 STA. 352+32.45 TO STA. 408+30.00

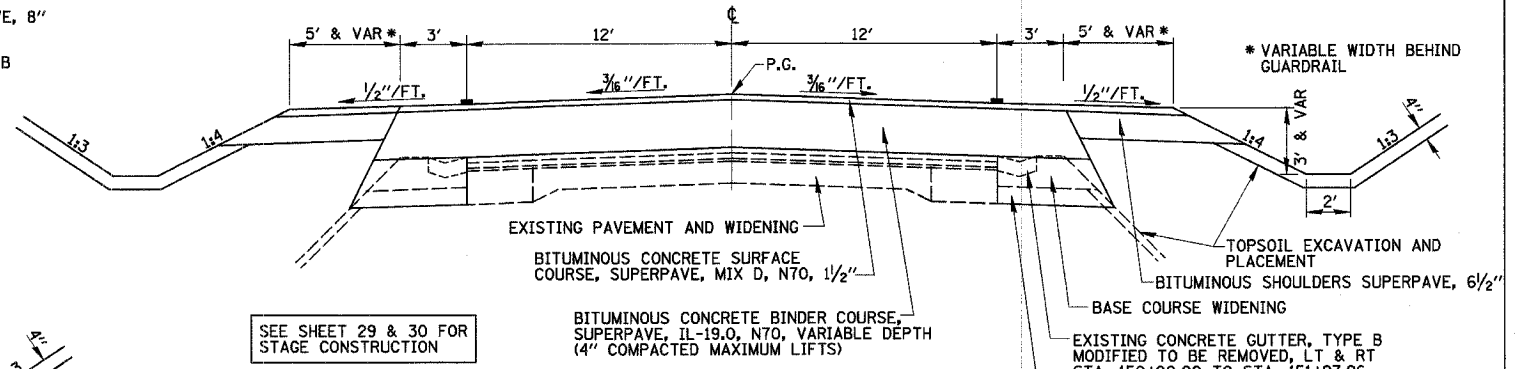


①A PROPOSED TYPICAL SECTION
 STA. 142+00.00 TO STA. 145+44.00

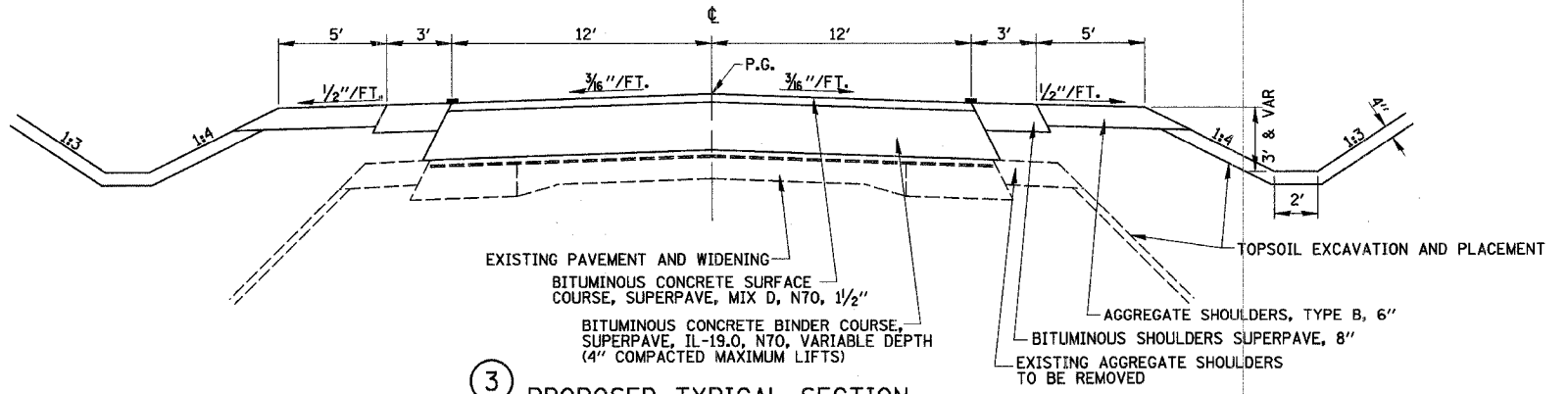


② PROPOSED TYPICAL SECTION
 STA. 151+97.96 TO STA. 160+00.00
 STA. 187+00.00 TO STA. 197+20.00 LT
 STA. 187+50.00 TO STA. 197+20.00 RT

*THICKNESS VARIES
 STA. 151+97.96
 TO STA. 156+00.00



②A PROPOSED TYPICAL SECTION
 STA. 147+81.00 TO STA. 151+97.96



③ PROPOSED TYPICAL SECTION
 STA. 218+50.00 TO STA. 223+00.00
 STA. 244+50.00 TO STA. 249+50.00
 STA. 271+00.00 TO STA. 276+50.00
 STA. 325+50.00 TO STA. 329+00.00

NOTE: MATCH EXISTING SUPERELEVATION TRANSITION FROM STA. 142+00.00 TO APPROXIMATELY STA. 143+00.00.

* TIE BARS TO BE PROVIDED AT PCC BASE COURSE WIDENING OPTION ONLY.

SEE SHEET 29 & 30 FOR STAGE CONSTRUCTION

SEE SHEET 29 & 30 FOR STAGE CONSTRUCTION

REVISIONS	
NAME	DATE

ILLINOIS DEPARTMENT OF TRANSPORTATION
 TYPICAL SECTIONS
 SHEET 1 OF 4
 DRAWN BY MLO/TL5
 CHECKED BY RDW
 DATE 6/01