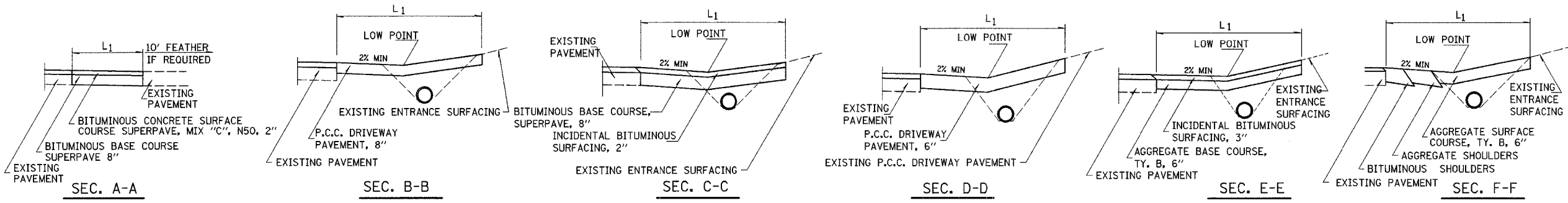
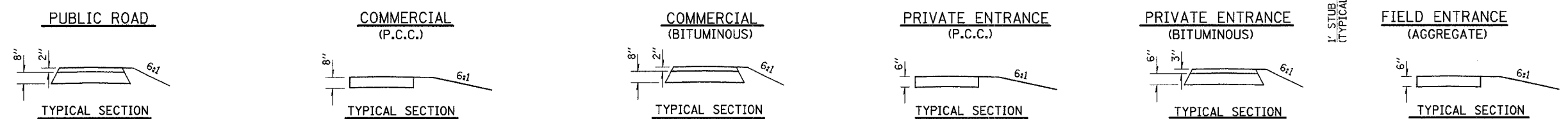
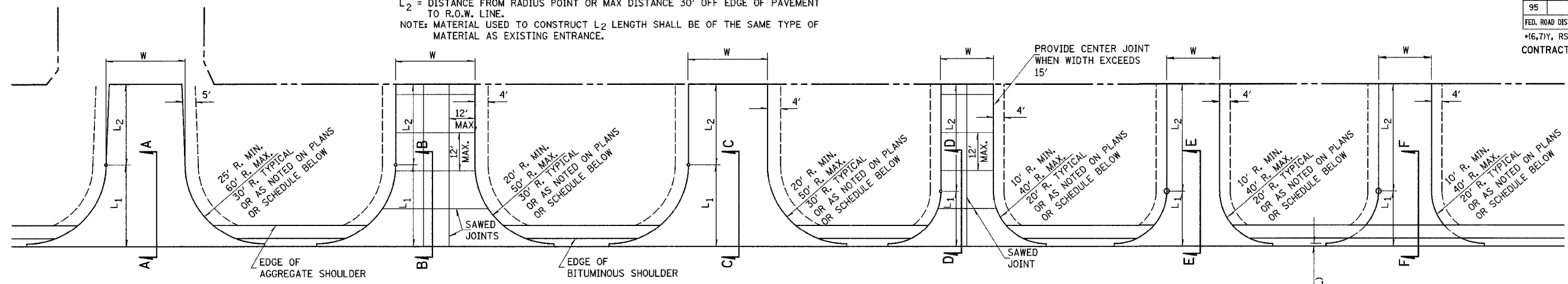


L<sub>1</sub> = DISTANCE FROM EDGE OF PAVEMENT TO RADIUS POINT OR MAX. DISTANCE 30'  
L<sub>2</sub> = DISTANCE FROM RADIUS POINT OR MAX. DISTANCE 30' OFF EDGE OF PAVEMENT TO R.O.W. LINE.  
NOTE: MATERIAL USED TO CONSTRUCT L<sub>2</sub> LENGTH SHALL BE OF THE SAME TYPE OF MATERIAL AS EXISTING ENTRANCE.



ENTRANCE SCHEDULE

TYPE	SIDE/STATION	WIDTH	LENGTH		RADI	AGGREGATE BASE COURSE, TYPE B	HOT MIX ASPHALT BASE COURSE, 8"	AGGREGATE SURFACE COURSE TYPE B	INCIDENTAL BITUMINOUS SURFACING	P.C.C. DRIVEWAY PAVEMENT		TEMPORARY ACCESS (PE)	TEMPORARY ACCESS (CE)
			L <sub>1</sub>	L <sub>2</sub>						6"	8"		
AGG FE	RT/150+29.75	12'	20'	95'	20			65				1	
AGG FE	LT/150+34.63	12'	20'	94'	20			49				1	
AGG PE	RT/151+65.27	12'	20'	10'	20	16		5	8			1	
AGG PE	LT/156+73.10	12'	20'	21'	20	16		10	8			1	
BIT PE	LT/160+11.89	12'	20'	5'	20	18			9			1	
AGG PE	LT/165+73.05	13'	20'	3'	20	16		1	8			1	
AGG PE	RT/165+45.57	12'	20'	58'	20	16		26	8			1	
CONC PE	RT/167+14.84	12'	22'	16'	20				70			1	
AGG PE	LT/167+55.12	15'	20'	2'	20	18		1	9			1	
AGG PE	LT/169+10.07	12'	20'	21'	20	16		10	8			1	
AGG PE	RT/169+48.15	16'	20'	10'	20	19		6	9			1	
AGG PE	LT/170+85.52	18'	20'	14'	20	20		10	10			1	
AGG PE	LT/171+36.03	17'	20'	19'	20	19		12	10			1	
AGG PE	LT/173+30.61	12'	20'	18'	20	16		8	8			1	
AGG CE	RT/173+43.41	35'	20'	8'	20		97	11	11			1	1
AGG PE	RT/174+12.05	12'	20'	8'	20	16		4	8			1	

ENTRANCE SCHEDULE

TYPE	SIDE/STATION	WIDTH	LENGTH		RADI	AGGREGATE BASE COURSE, TYPE B	HOT MIX ASPHALT BASE COURSE, 8"	AGGREGATE SURFACE COURSE TYPE B	INCIDENTAL BITUMINOUS SURFACING	P.C.C. DRIVEWAY PAVEMENT		TEMPORARY ACCESS (PE)	TEMPORARY ACCESS (CE)
			L <sub>1</sub>	L <sub>2</sub>						6"	8"		
AGG PE	LT/174+35.96	12'	20'	12'	20	16		5	8			1	
AGG PE	LT/175+35.51	12'	20'	20'	20	16		9	8			1	
CONC PE	LT/177+48.07	12'	20'	30'	20				46			1	
AGG PE	RT/179+49.90	12'	25'	23'	20	18		10	16			1	
CONC CE	RT/194+25.72	35'	20'	11'	20					140		1	1
AGG FE	LT/194+26.00	12'	20'	25'	20			18				1	
BIT CE	LT/201+34.68	2 @ 24'	24'	-	100		264		30			1	1
BIT CE	LT/207+58.00	30'	20'	-	20		86		70			1	1
AGG PE	LT/232+24.82	18'	20'	4'	20	20		3	10			1	
CONC CE	LT/245+66.63	35'	42'	-	50					276		1	1
AGG PE	LT/255+18.21	24'	20'	4'	20	25		4	12			1	
AGG FE	LT/261+04.61	24'	20'	7'	20			18				1	
AGG FE	LT/271+04.65	12'	20'	7'	20			10				1	
AGG PE	RT/287+77.81	12'	20'	17'	20	16		8	8			1	
AGG FE	LT/290+92.71	12'	20'	5'	20			9				1	
EARTH FE	RT/291+08.92	12'	20'	10'	20			7				1	
EARTH FE	LT/305+71.85	12'	20'	15'	20			7				1	

- ① SEE PLAN AND PROFILE SHEETS FOR RADI DETAILS.
- ② SEE STANDARD 406201 FOR DETAILS.

REVISIONS		ILLINOIS DEPARTMENT OF TRANSPORTATION
NAME	DATE	
		RURAL ENTRANCE DETAILS & SCHEDULES SHEET 1 OF 3

SCALE: DATE 06/02 DRAWN BY ASB CHECKED BY SJK

\*DGN-SPEC\*  
\*DATE\*