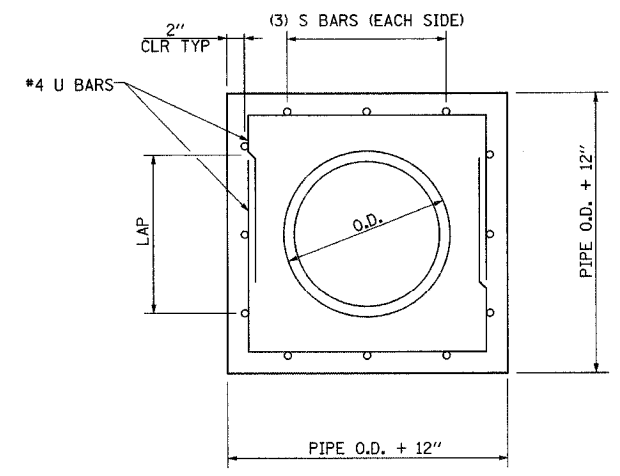
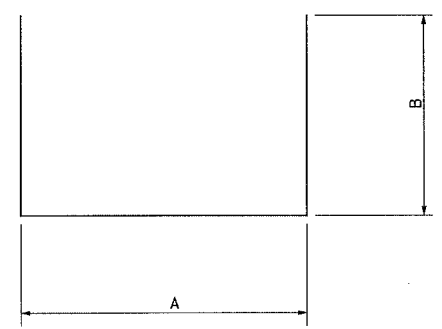


ELEVATION

NOTE: EXISTING HEADWALL OR END SECTION TO BE REMOVED AS APPLICABLE (NOT SHOWN FOR CLARITY).



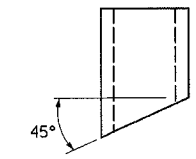
SECTION A-A



U BAR

REINFORCED CONCRETE PIPE CULVERT EXTENSION COLLAR SCHEDULE														
LOCATION	SIDE	STATION	PIPE DIAMETER	EXTENSION LENGTH	PRC FLARED END SECTION	S BARS		U BARS DIMENSIONS				REINFORCING BARS	CONCRETE COLLAR *	
						NUMBER BARS	LENGTH (INCHES)	NUMBER BARS	A (INCHES)	B (INCHES)	LAP (INCHES)			A+2B LENGTH (INCHES)
** MAINLINE	RT	162+82.39	24"	2	1	12	20	6	38	29	20	96	53	0.5
TRIO9	LT	109+93.33	18"	5	1	12	20	6	32	26	20	84	49	0.4
MAINLINE	LT	198+62.63	30"	5	1	12	20	6	43.5	31.75	20	107	57	0.7
MAINLINE	RT	198+62.63	30"	9	1	12	20	6	43.5	31.75	20	107	57	0.7
MAINLINE	LT	616+93.39	24"	7	1	12	20	6	38	29	20	96	53	0.5
MAINLINE	RT	616+93.39	24"	13	1	12	20	6	38	29	20	96	53	0.5
TOTALS:												322	3.3	

\*\* FIRST SECTION SKEWED 45° AT END



\* THE COST OF CONCRETE COLLAR FOR PIPE CULVERT EXTENSION IS TO BE INCLUDED IN THE COST OF CONCRETE PIPE EXTENSION.

REVISIONS	
NAME	DATE

ILLINOIS DEPARTMENT OF TRANSPORTATION

CONCRETE PIPE CULVERT EXTENSION DETAILS

DRAWN BY MLO  
CHECKED BY SJK

DATE 9/01