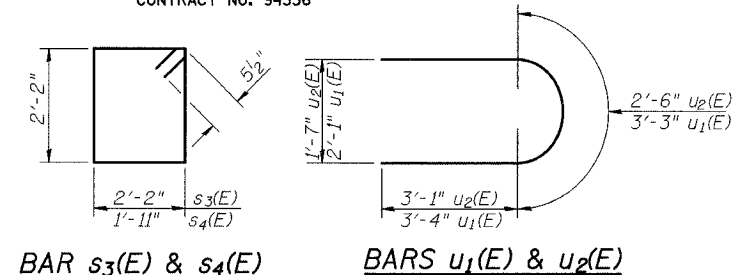
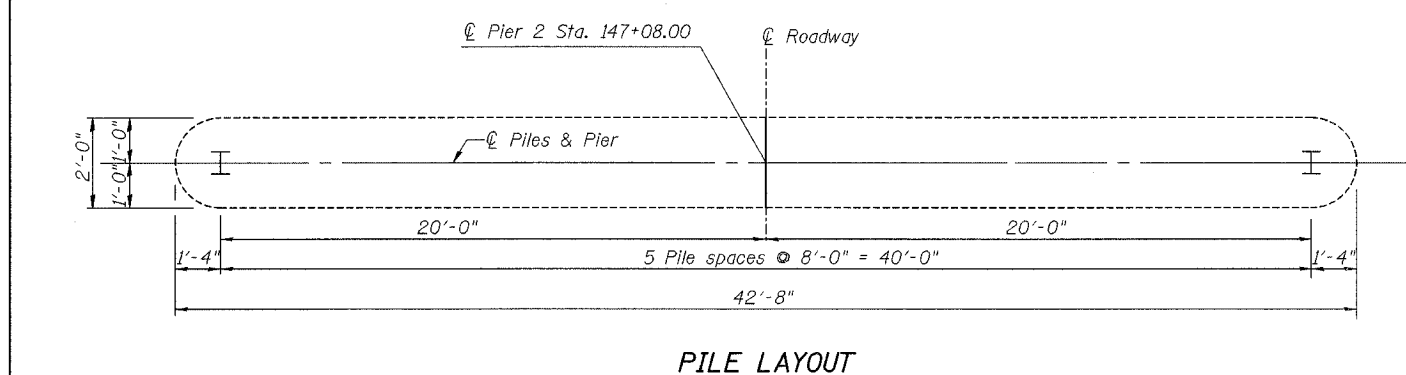
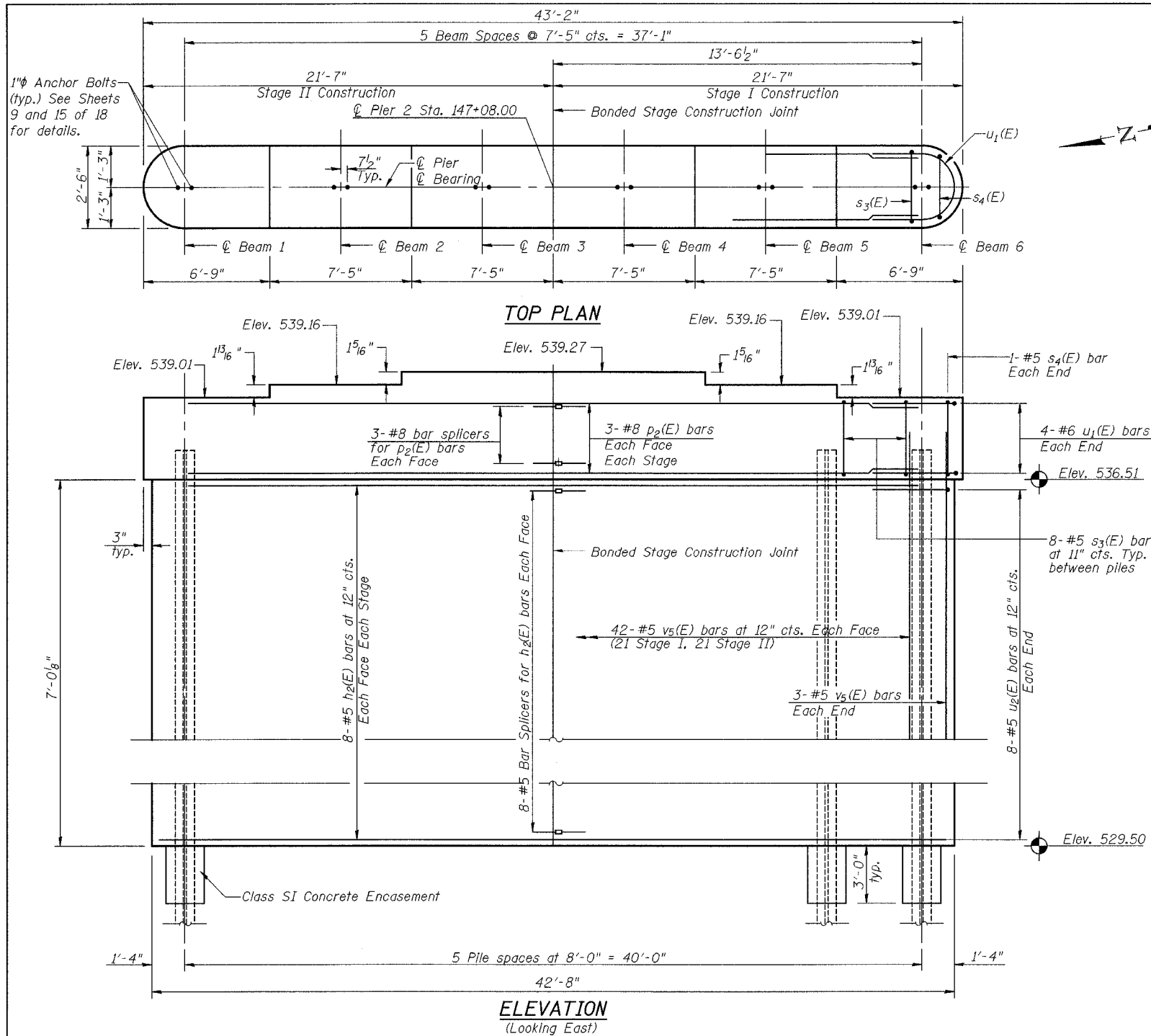
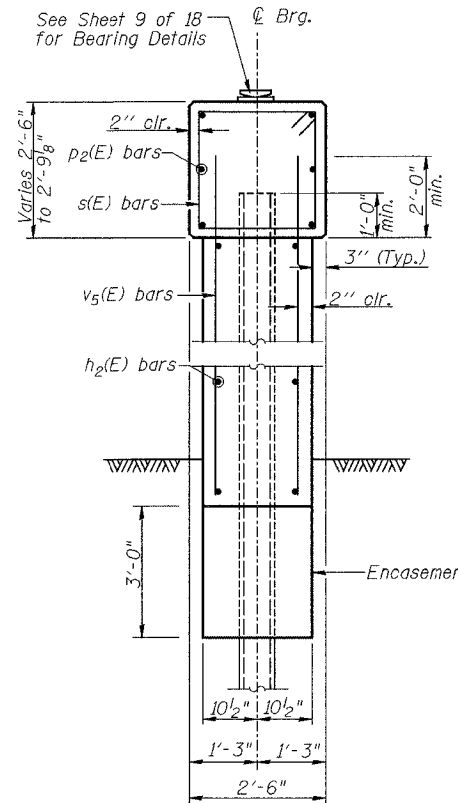


F.A.P. PILE	SECTION	COUNTY	TOTAL SHEETS	SHEET NO.
95	7B-1	EFFINGHAM	409	358
FED. ROAD DIST. NO. 7		ILLINOIS	FED. AID PROJECT	
CONTRACT NO. 94356				

SHEET NO. 13  
SHEETS 18



Notes:  
Space reinforcement in cap to miss anchor bolts.  
Four steps monolithically with cap.  
Reinforcement bars designated (E) shall be epoxy coated.  
For anchor bolt installation see sheet 15 of 18.  
All edges shall have standard 3/4" chamfers except as noted.  
The Steel H Piles shall be according to AASHTO M270 Grade 50.



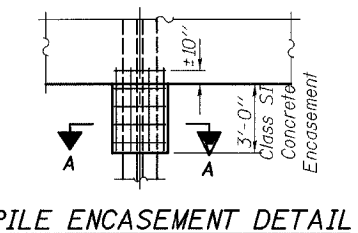
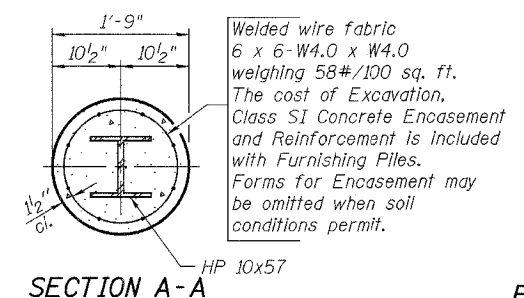
**PILE DATA**

Type: HP 10x57  
Capacity: Nominal Required Bearing: 453kips  
Allowable Resistance Available: 124kips\*  
Est. Length: 26'  
No. Req'd: 6

\* Limit capacity to 7.4 ksi per pile due to negative skin friction.

**PIER 2  
BILL OF MATERIAL**

Bar	No.	Size	Length	Shape
h2(E)	32	#5	20'-2"	—
p2(E)	12	#8	20'-2"	—
s3(E)	40	#5	9'-7"	□
s4(E)	2	#5	9'-1"	□
u1(E)	8	#6	9'-11"	U
u2(E)	16	#5	8'-8"	U
v5(E)	90	#5	8'-10"	—
Concrete Structures	Cu. Yd.	32.5		
Reinforcement Bars, Epoxy Coated	Pound	2840		
Structure Excavation	Cu. Yd.	11		
Driving Piles	Ft.	156		
Furnishing Steel Piles HP 10x57	Ft.	156		



ILLINOIS DEPARTMENT OF TRANSPORTATION  
**PIER 2**  
ILLINOIS ROUTE 33 OVER  
BIG SALT CREEK  
F.A.P. ROUTE 95  
SECTION 7B-1  
EFFINGHAM COUNTY  
STA. 146+62.50  
STRUCTURE NUMBER 025-0101

DATE: OCT. 2003  
DRAWN BY: NJV  
CHECKED BY: PBB/SJK