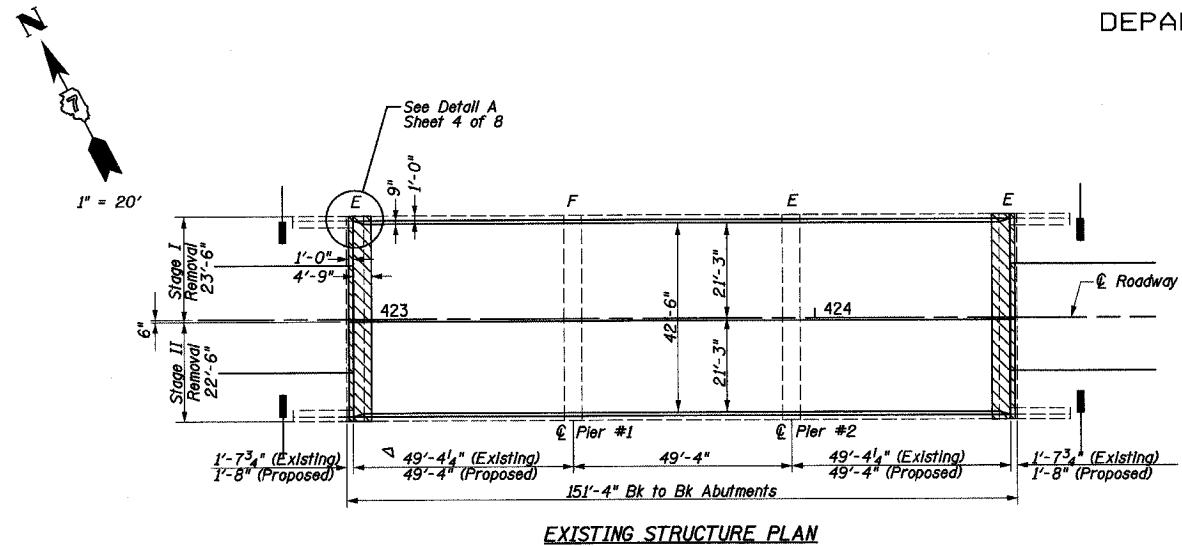


STATE OF ILLINOIS  
DEPARTMENT OF TRANSPORTATION

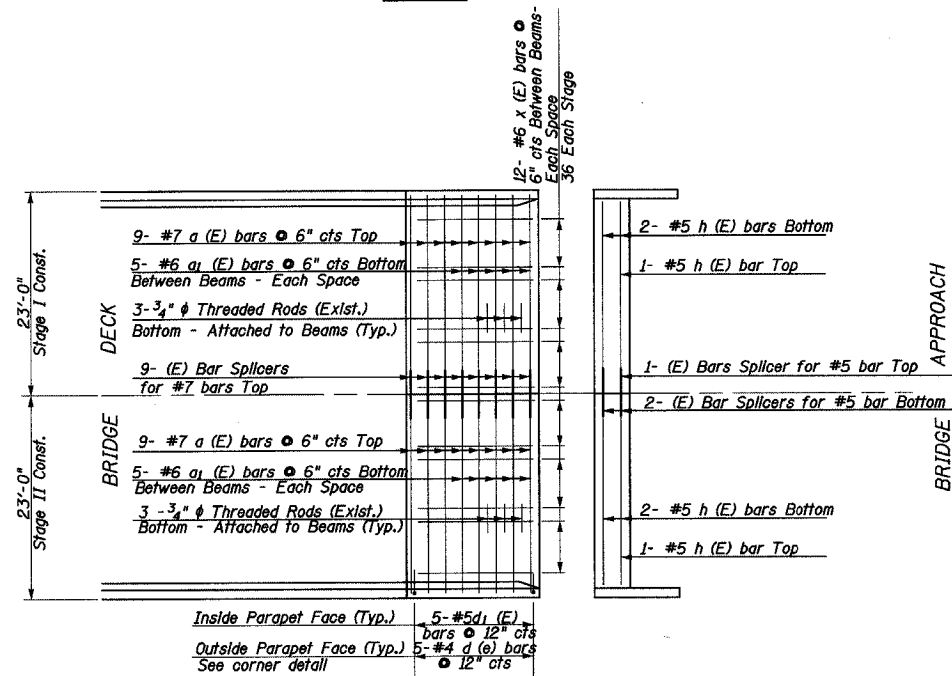
F.A.P. RTE.	SECTION	COUNTY	TOTAL SHEETS	SHEET NO.
95	7BR-2	EFFINGHAM	409	365
FED. ROAD DIST. NO. 7		ILLINOIS	FED. AID PROJECT	
CONTRACT NO. 94356				

SHEET NO. 3  
SHEETS 8

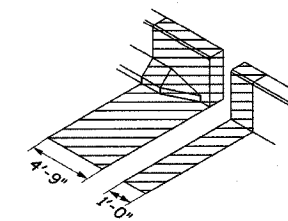


EXISTING STRUCTURE PLAN

Concrete Removal (See Isometric)

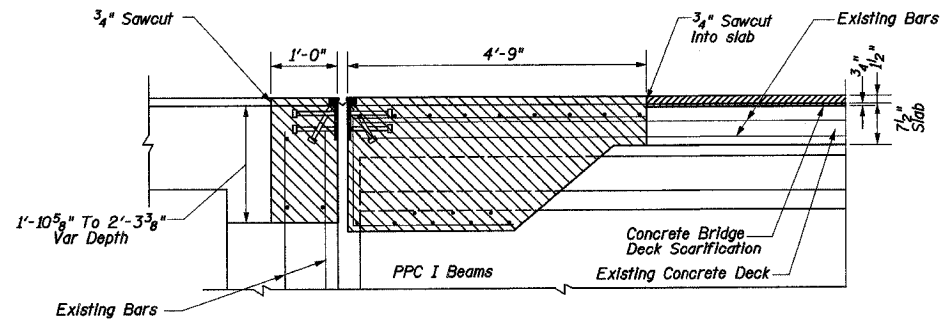


REINFORCEMENT DETAIL  
East Abutment (West Abutment Similar)



Typical Concrete Removal and Replacement At Each Abutment

CONCRETE REMOVAL ISOMETRIC



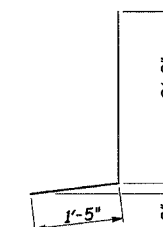
EXISTING ABUTMENTS

Note: Existing Longitudinal and Vertical Reinforcement Bars Extending Into the Removal Area Shall Be Cleaned, Straightened, and Incorporated Into the New Concrete.

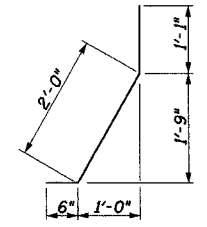
Contractor Shall use Extreme Care While Doing the Concrete Removal Over the Beams In Order Not to Damage the Top Flange of the PPC I Beams.

Concrete Removal (See Isometric)

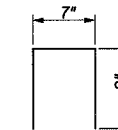
Hot Mix Asphalt Surface Removal (Deck)



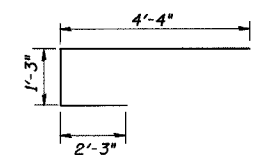
BAR d (E)



BAR d1 (E)



BAR d2 (E)



BAR x (E)

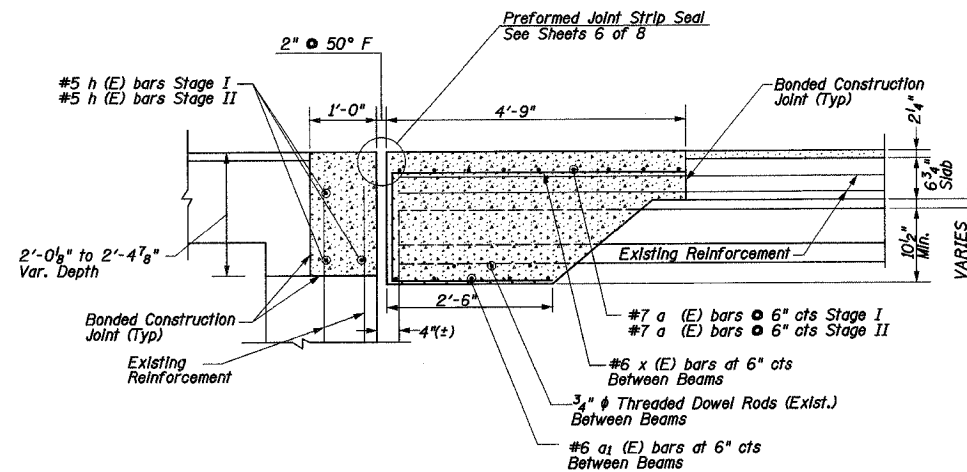
BAR LIST - EACH ABUTMENT

BAR	STAGE I	STAGE II	TOTALS	SIZE	LENGTH	SHAPE
a (E)	9	9	18	#7	22'-6"	—
a1 (E)	15	15	30	#6	6'-2"	—
d (E)	5	5	10	#4	4'-2"	—
d1 (E)	5	5	10	#5	3'-7"	—
d2 (E)	2	2	4	#4	2'-1"	—
h (E)	3	3	6	#5	21'-9"	—
x (E)	36	36	72	#6	7'-10"	—

BILL OF MATERIALS - BOTH ABUTMENTS

ITEM	UNIT	STAGE I	STAGE II	TOTAL
CONCRETE REMOVAL	CU YD	16.0	15.3	31.3
PREFORMED JOINT STRIP SEAL	FOOT	45	45	90
CONCRETE SUPERSTRUCTURE	CU YD	15.6	15.6	31.2
REINFORCEMENT BARS (EPOXY COATED)	POUND	2160	2160	4320
BAR SPLICERS	EACH	24	-	24

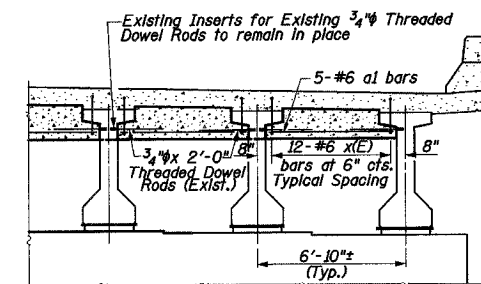
Dimensions are based on a Rolled Roll Strip Seal Joint. If the contractor elects to use the Welded Roll Strip Seal Joint deck dimensions may require adjustments to satisfy the details on Sheet 6 of 8.



PROPOSED ABUTMENTS

Concrete Superstructure

Microsilica Concrete Overlay



DIAPHRAGM AT ABUTMENT

EXPANSION JOINT DETAILS  
IL ROUTE 33 OVER  
LITTLE SALT CREEK  
F.A.P. 95 - SECTION 7BR-2  
EFFINGHAM COUNTY  
SN 025-0082