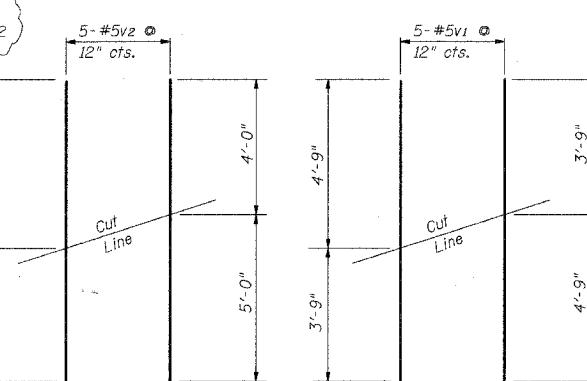
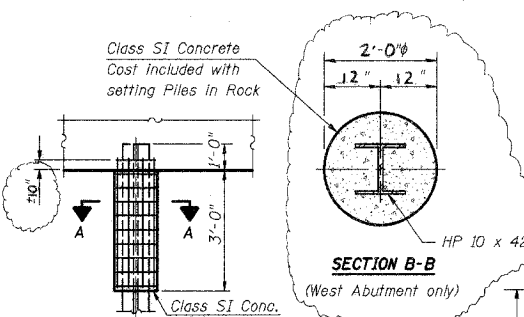
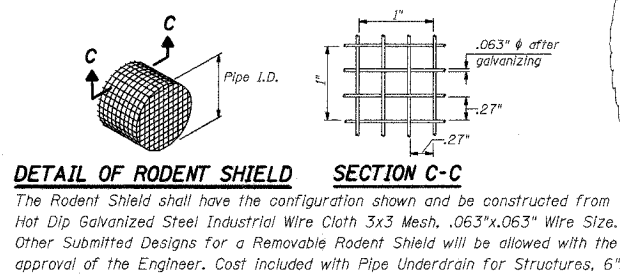
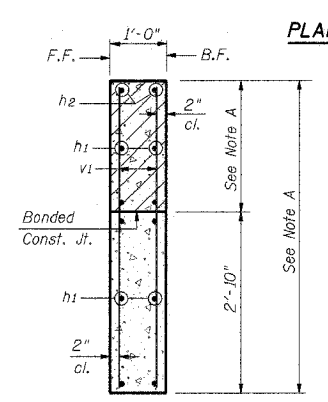
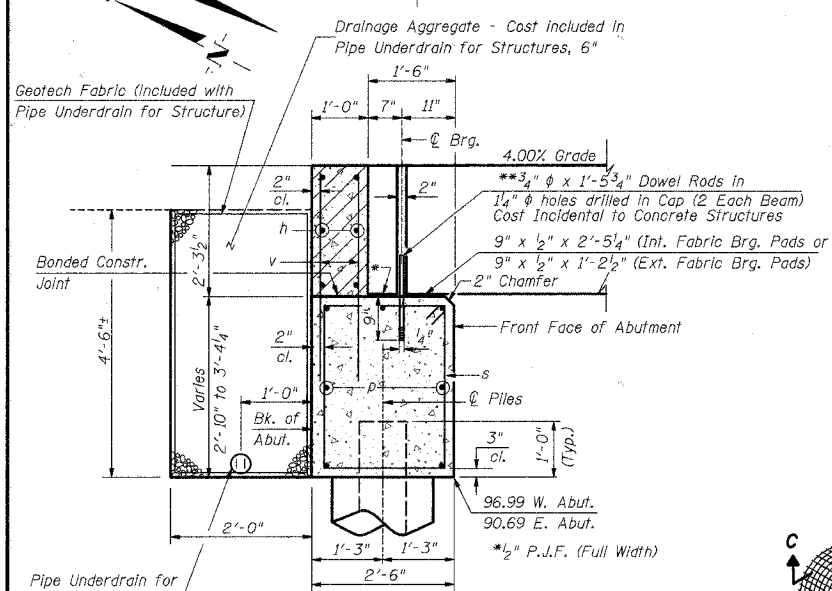
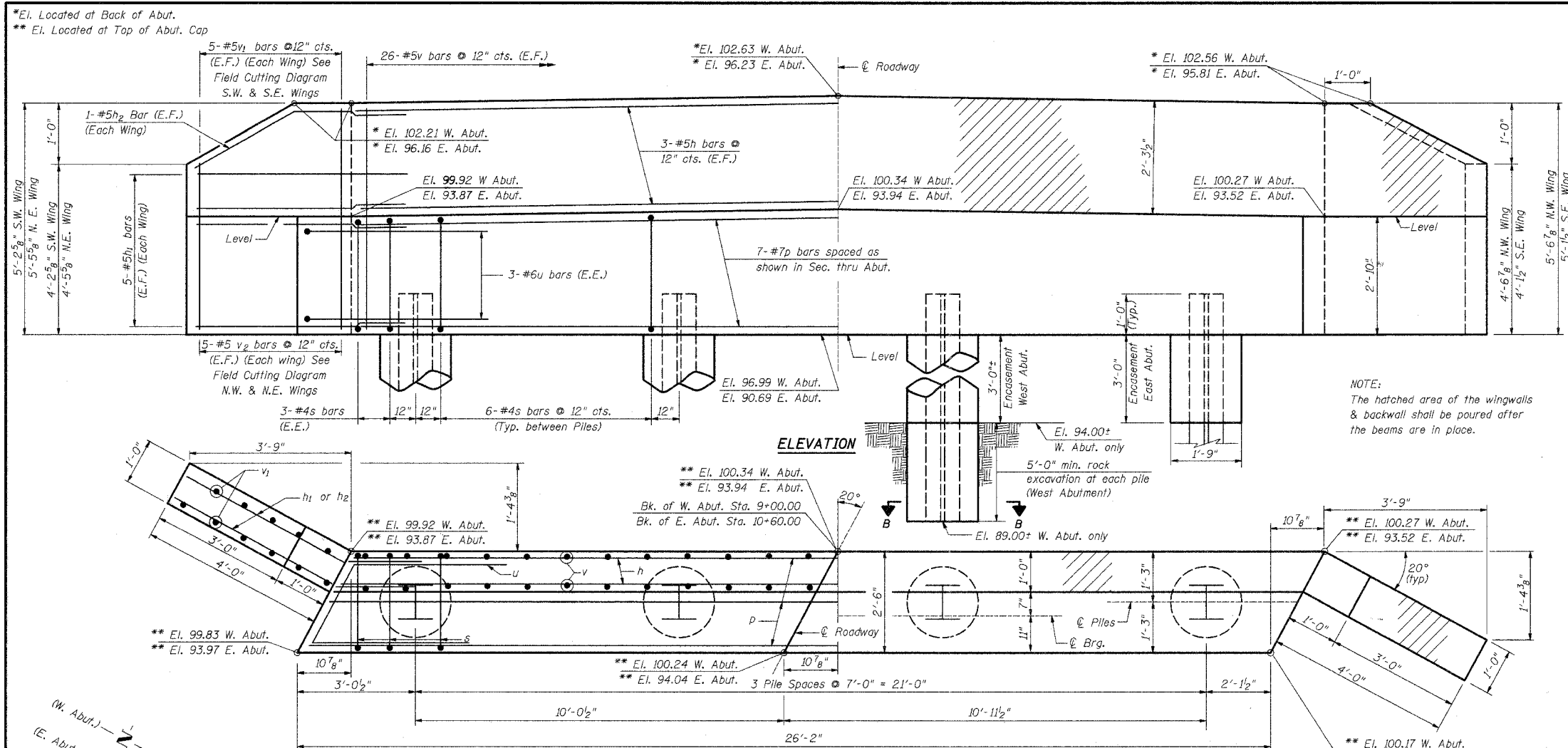


ROUTE NO.	SECTION	COUNTY	TOTAL SHEETS	SHEET NO.
CH 7	05-00259-00-BR	SHELBY	19	16
FED. ROAD DIST. NO.		ILLINOIS PROJECT		SHEET 5 of 8



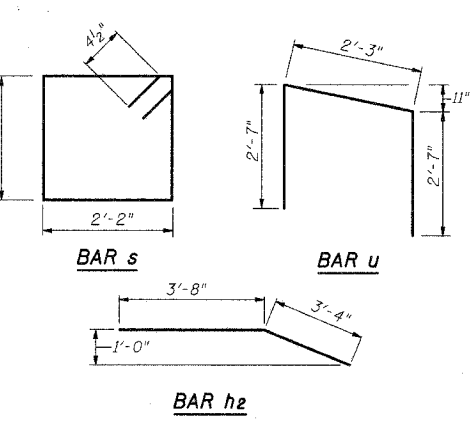
BILL OF MATERIAL
(2 Abutments)

Bar	No.	Size	Length	Shape
h	12	#5	25'-10"	—
h1	40	#5	7'-0"	—
h2	8	#5	7'-0"	—
p	14	#7	25'-10"	—
s	48	#4	9'-11"	□
u	12	#6	7'-5"	□
v	104	#5	4'-0"	—
v1	10	#5	8'-6"	—
v2	10	#5	9'-0"	—

ITEM	UNIT	QUANTITY
Reinforcement Bars	Pound	2,480
Concrete Structures	Cu. Yd.	22.4
Furnishing Steel Piles, HP 10 x 42	Lin. Ft.	108
Driving Steel Piles	Lin. Ft.	72
Test Piles	Each	1
Structure Excavation	Cu. Yd.	50
Concrete Encasement	Cu. Yd.	(2.8)
Setting Piles in Rock	Each	4
Pipe Underdrain for Structures, 6"	Foot	95
Pile Shoes	Each	4

PILE DATA

Type & Size: HP 10 x 42
 Nominal Required Bearing: 335 kips
 Est. Length: 24' East Abut. (Including 1 Test Pile, With Pile Shoes)
 9' West Abut. (Set in Rock)
 No. of Production Piles: 3
 No. of Test Piles: 1
 Allowable Resistance Available: 112 kips
 Piles Set in Rock: 4



ie consultants

DESIGNED: C.M.V. CHECKED: D.R.B.
 DRAWN: T.H.W. DATE: DECEMBER 2006