

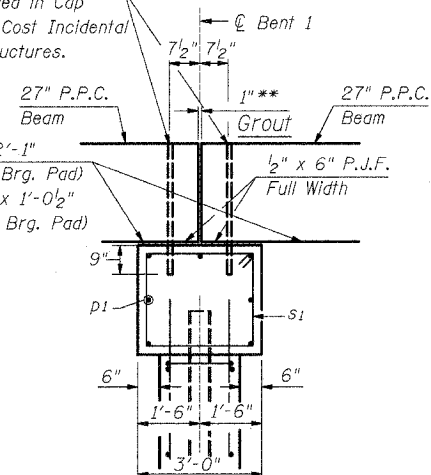
ROUTE NO.	SECTION	COUNTY	TOTAL SHEETS	SHEET NO.
CH 7	05-00259-00-BR	SHELBY	19	17
FED. ROAD DIST. NO.	ILLINOIS PROJECT		SHEET 6 of 9	

** 1" Joint shall be packed with a Non-shrinking Grout.
1" Dimension may Vary plus or Minus to accommodate Tolerance in Beam Lengths.

*** Dowel Rods to be grouted after beams are in place and allowed to cure (Min. 24 hours) prior to grouting Shear Keys.

*** 3/4" φ x 1'-6" Dowel Rods in 1 1/4" φ holes drilled in Cap (2 Each Beam) Cost Incidental to Concrete Structures.

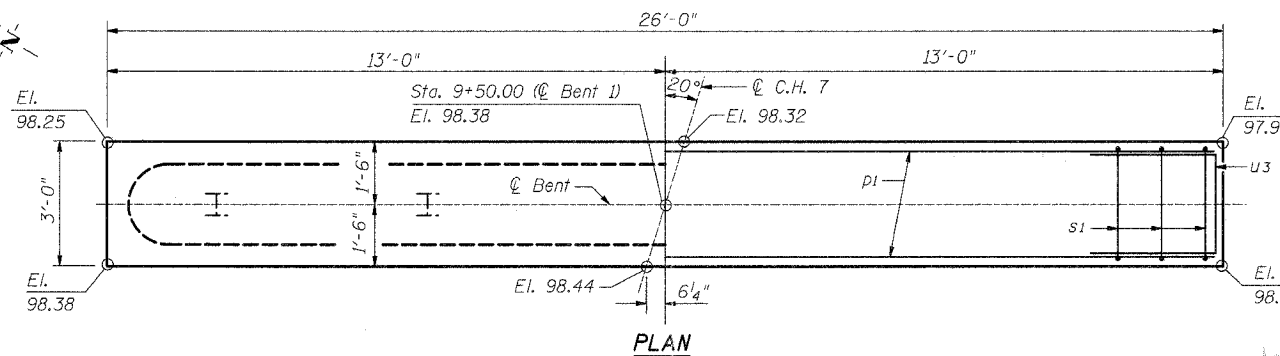
1 - 9" x 1/2" x 2'-1" (Interior Fabric Brg. Pad) or 1 - 9" x 1/2" x 1'-0 1/2" (Exterior Fabric Brg. Pad)



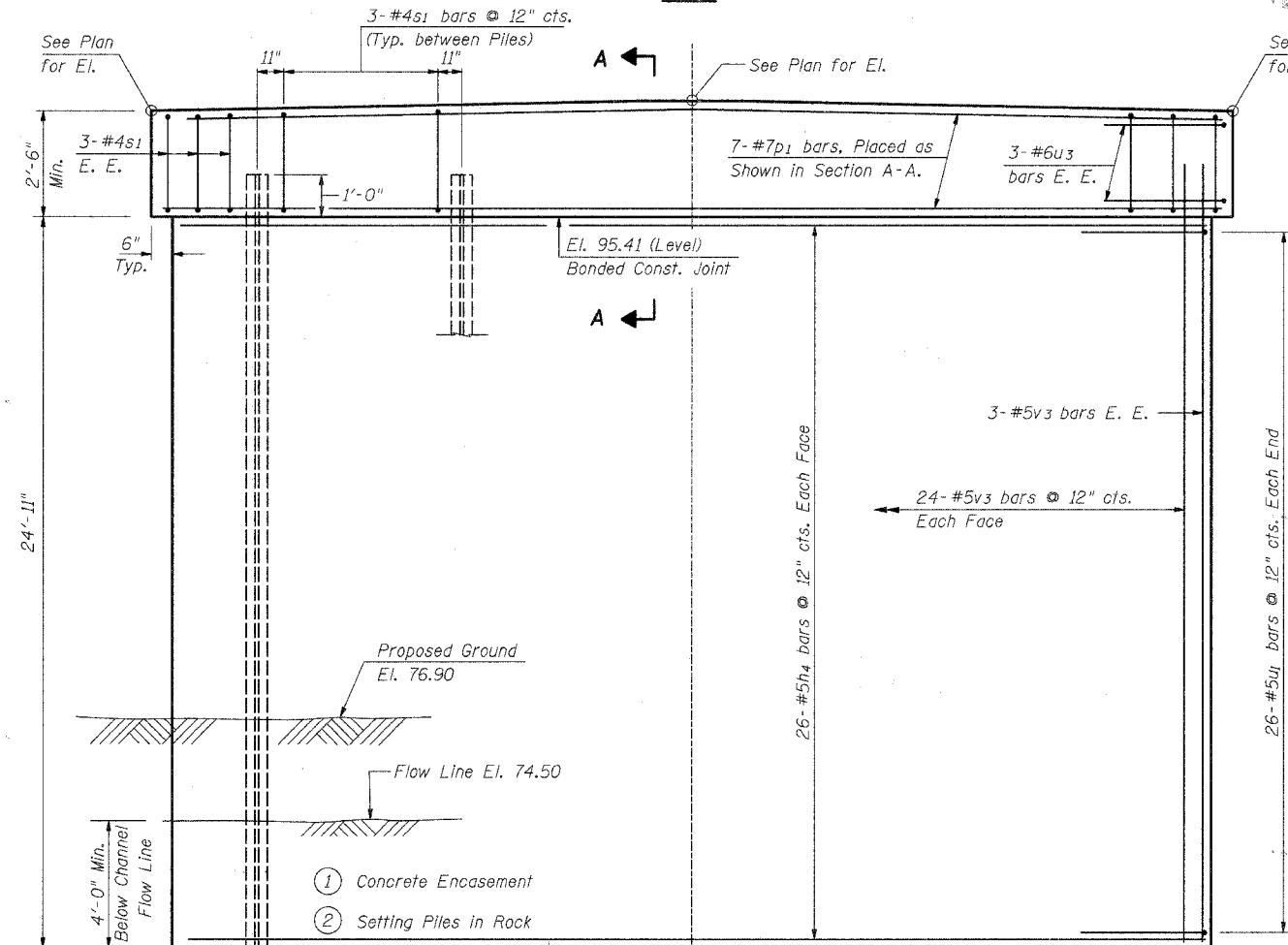
END VIEW

PILE DATA

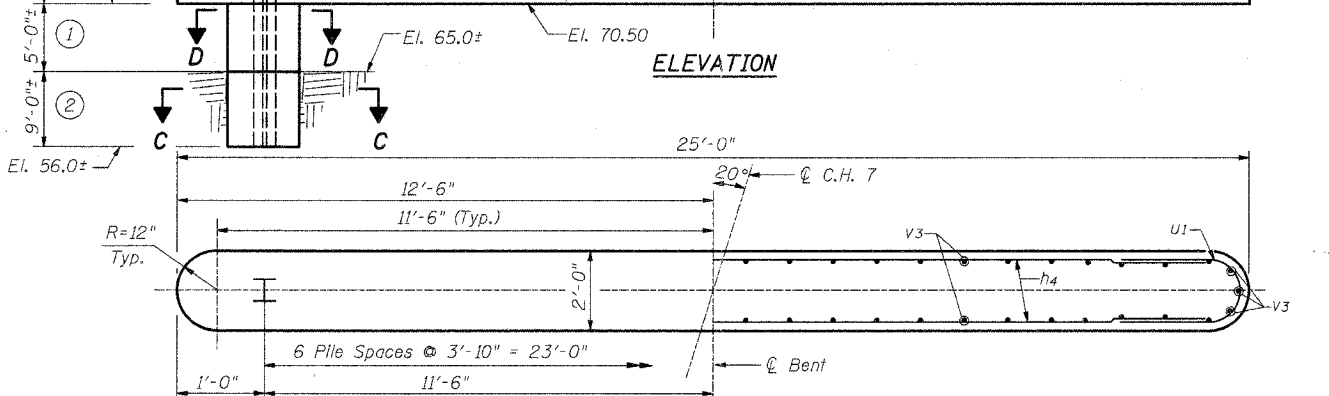
Type	=	HP 10 x 42
Capacity	=	45 Ton, Set in Rock
Estimated Length	=	40 Ft.
Number Req'd.	=	7



PLAN

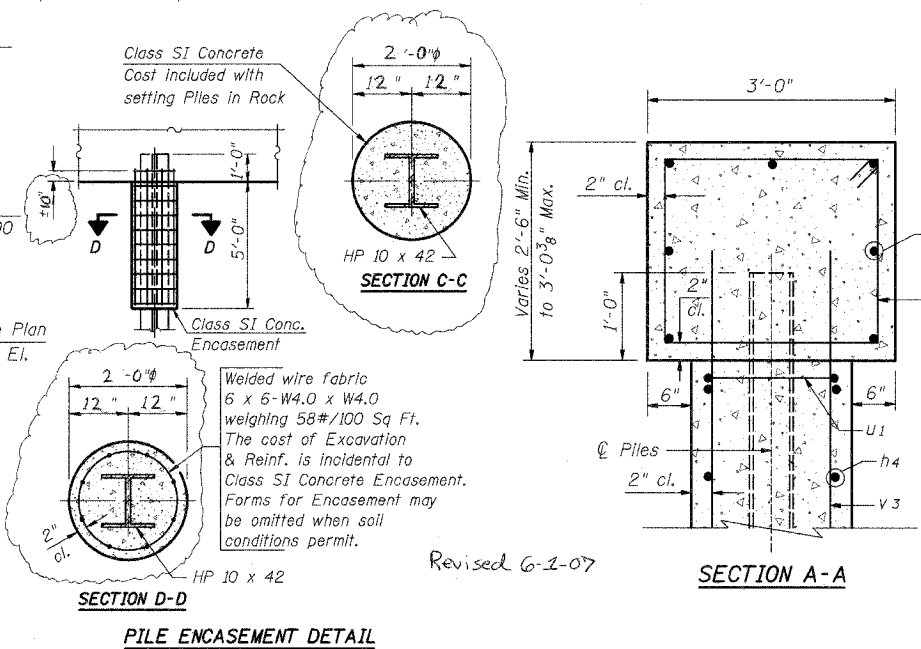


ELEVATION



SECTION B-B

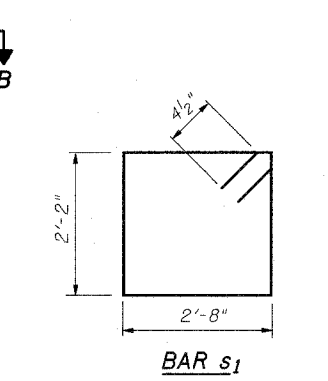
NOTE:
All Edges shall have Standard 3/4" Chamfer except as Noted.



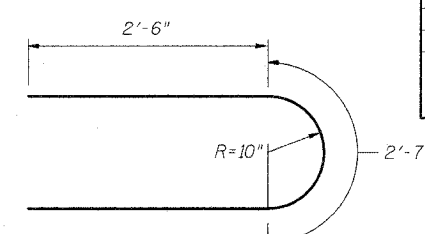
SECTION D-D

PILE ENCASEMENT DETAIL

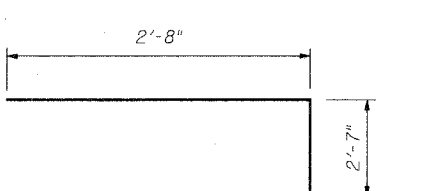
SECTION A-A



BAR s1



BAR u1



BAR u3

BILL OF MATERIAL

Bar	No.	Size	Length	Shape
h4	52	#5	23'-2"	—
p1	7	#7	25'-6"	—
s1	24	#4	10'-5"	□
u1	52	#5	7'-7"	U
u3	6	#6	7'-11"	U
v3	54	#5	26'-2"	—

ITEM	UNIT	QUANTITY
Reinforcement Bars	Pound	3750
Concrete Structures	Cu. Yd.	53.3
Furnishing Steel Piles, HP 10 x 42	Foot	280
Structure Excavation	Cu. Yd.	32
Setting Piles in Rock	Each	7
Concrete Encasement	Cu. Yd.	4.5
Underwater Structure Excavation Protection, Location 1	Each	1

BENT NO. 1 DETAILS
C.H. 7 OVER RICHLAND CREEK
SEC. 05-00259-00-BR
SHELBY COUNTY
S.N. 087-3550
STA. 9+80

ie consultants

DESIGNED: C.M.V. CHECKED: D.R.B.
DRAWN: T.H.W. DATE: DECEMBER 2006