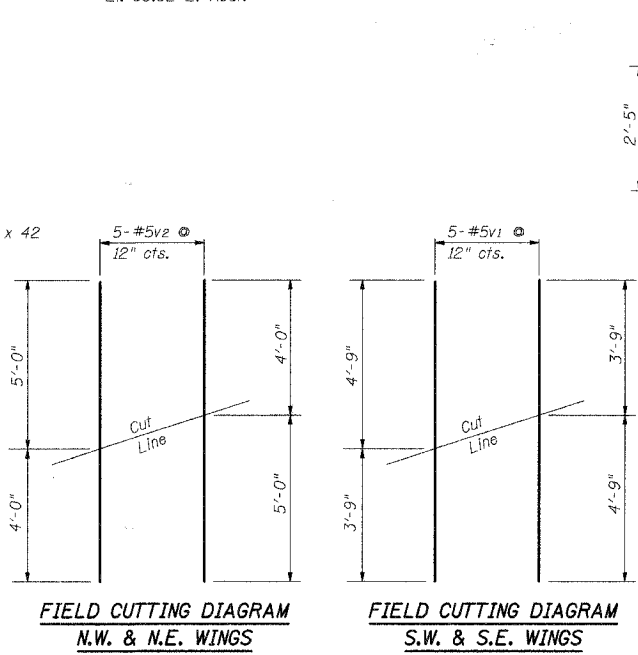
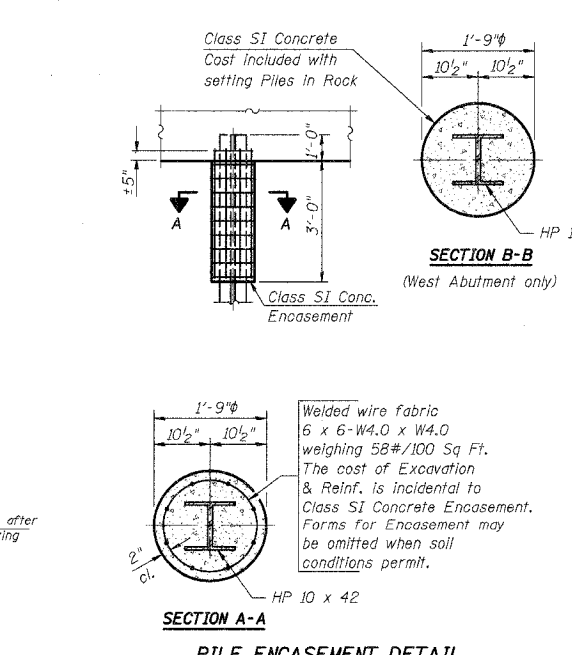
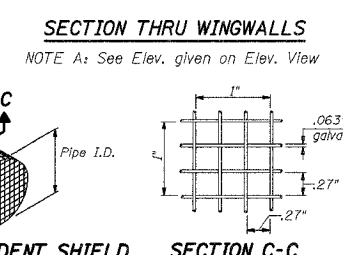
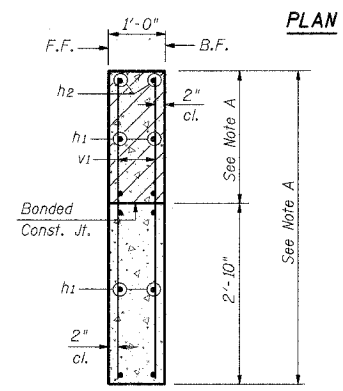
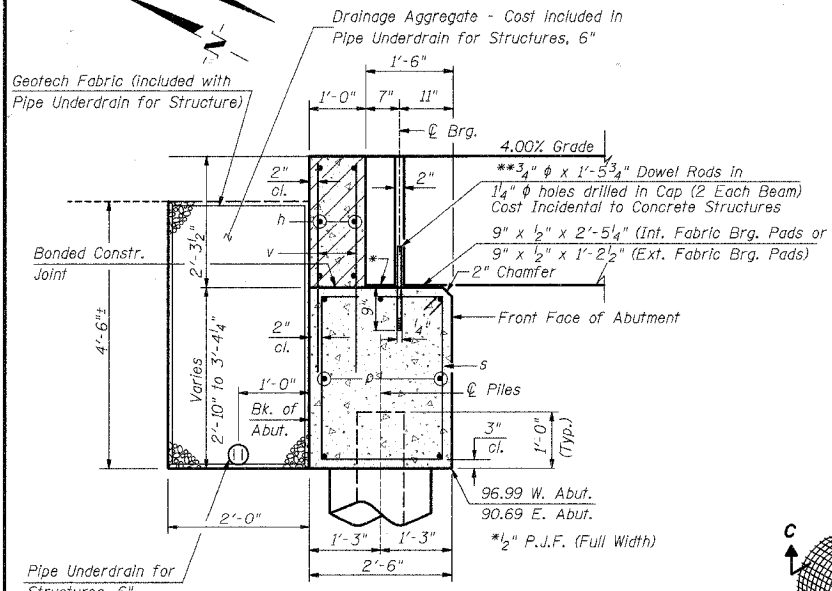
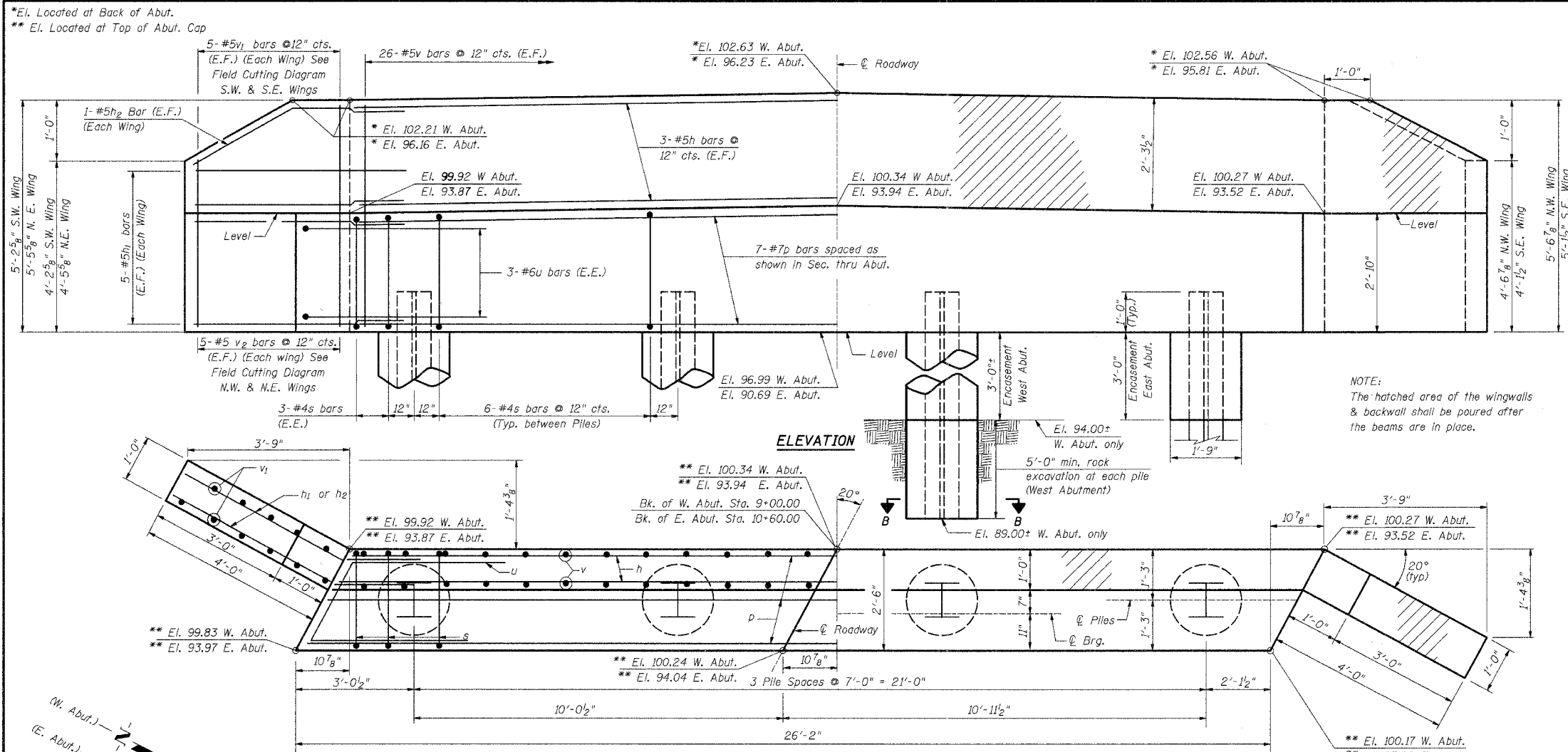


ROUTE NO.	SECTION	COUNTY	TOTAL SHEETS	SHEET NO.
CH 7	05-00259-00-BR	SHELBY	19	16
FED. ROAD DIST. NO.		ILLINOIS PROJECT		SHEET 5 of 8



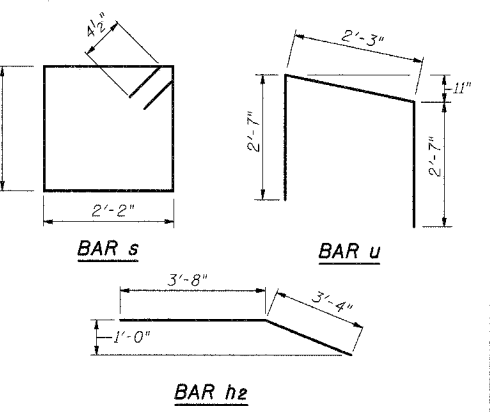
BILL OF MATERIAL
(2 Abutments)

Bar	No.	Size	Length	Shape
h	12	#5	25'-10"	—
h ₁	40	#5	7'-0"	—
h ₂	8	#5	7'-0"	—
p	14	#7	25'-10"	—
s	48	#4	9'-11"	□
u	12	#6	7'-5"	□
v	104	#5	4'-0"	—
v ₁	10	#5	8'-6"	—
v ₂	10	#5	9'-0"	—

ITEM	UNIT	QUANTITY
Reinforcement Bars	Pound	2,480
Concrete Structures	Cu. Yd.	22.4
Furnishing Steel Piles, HP 10 x 42	Lin. Ft.	108
Driving Steel Piles	Lin. Ft.	72
Test Piles	Each	1
Structure Excavation	Cu. Yd.	50
Concrete Encasement	Cu. Yd.	2.2
Setting Piles in Rock	Each	4
Pipe Underdrain for Structures, 6"	Foot	95
Pile Shoes	Each	4

PILE DATA

Type & Size: HP 10 x 42
Nominal Required Bearing: 335 kips
Est. Length: 24' East Abut. (Including ITSet Pile, With Pile Shoes)
9' West Abut. (Set in Rock)
No. of Production Piles: 3
No. of Test Piles: 1
Allowable Resistance Available: 112 kips
Piles Set in Rock: 4



ABUTMENT DETAILS
C.H. 7 OVER RICHLAND CREEK
SEC. 05-00259-00-BR
SHELBY COUNTY
S.N. 087-3550
STA. 9+80